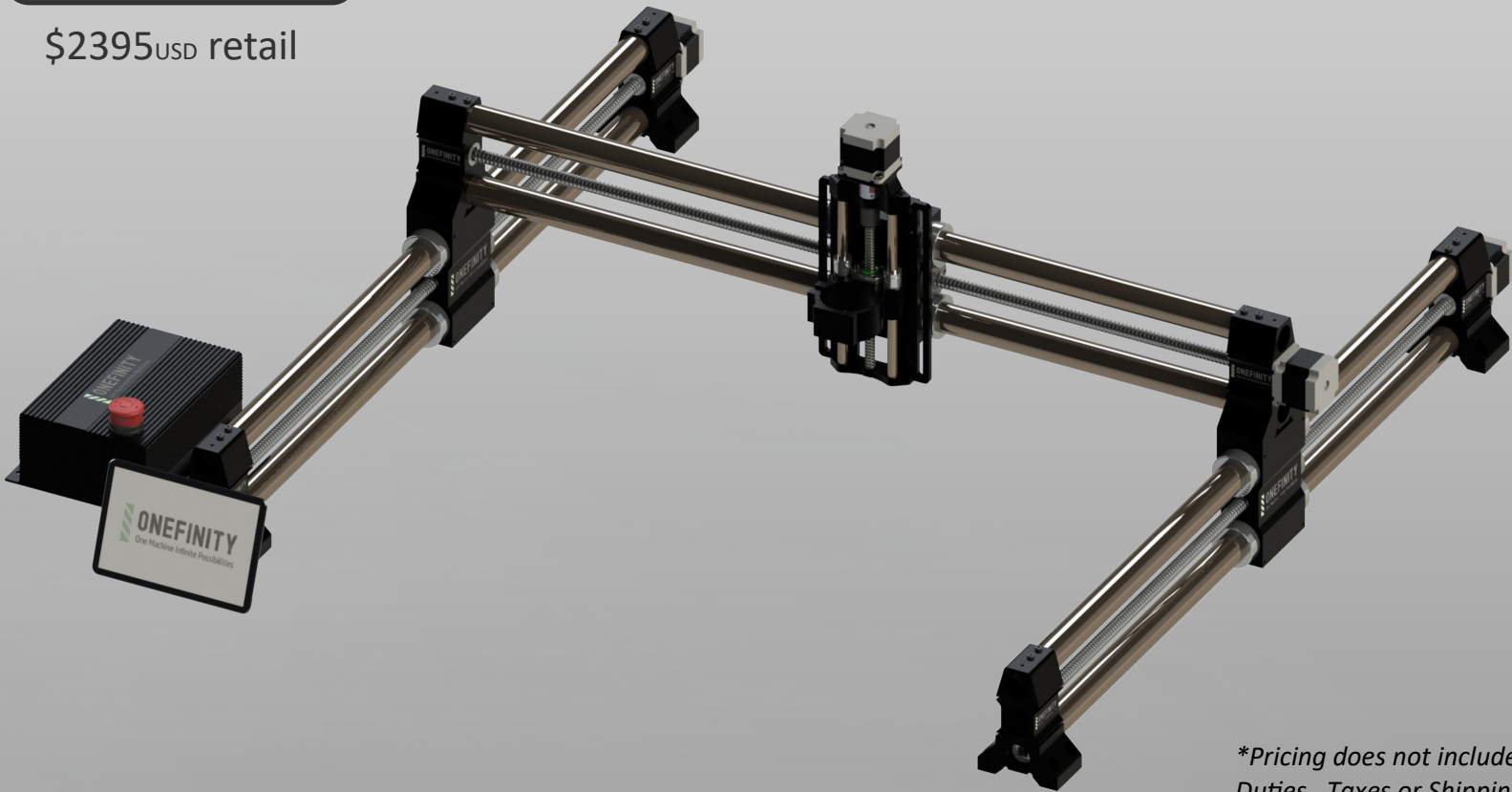


Onefinity "Woodworker"
pre-order price

\$1975* USD

\$2395_{USD} retail



**Pricing does not include
Duties, Taxes or Shipping*

PLUS

Share on Facebook and Instagram
and receive a free Suckit Dust
Boot and Stiffy!

Total Pre-Order Savings

\$645



Specifications and Features

Rapid Rate:

X Axis: 500 inches/min (accel 750 km/min²)
Y Axis: 500 inches/min (accel 750 km/min²)
Z Axis: 200 inches/min (accel 750 km/min²)

Cutting Area:

X Axis: 32- 1/4 inches
Y Axis: 32- 1/4 inches
Z Axis: 4 inches

Dimensions (see diagram):

A: 45 - 5/8 inches
B: 38 inches
C: 5 - 1/2 inches
D: Adjustable: 4 - 3/32 inches or
5 - 7/16 inches
Depth (not including display) 45 - 5/8 inches

Specifications:

16mm Ball Screws on X and Y axis
12mm Ball Screw on Z axis
Chrome plated, hardened steel linear shafts on all axis
4 motor driver channels
7 inch Hi-Def Touch Screen
Up to 6A per channel
Up to 256 microstepping
250k steps/second on each motor output

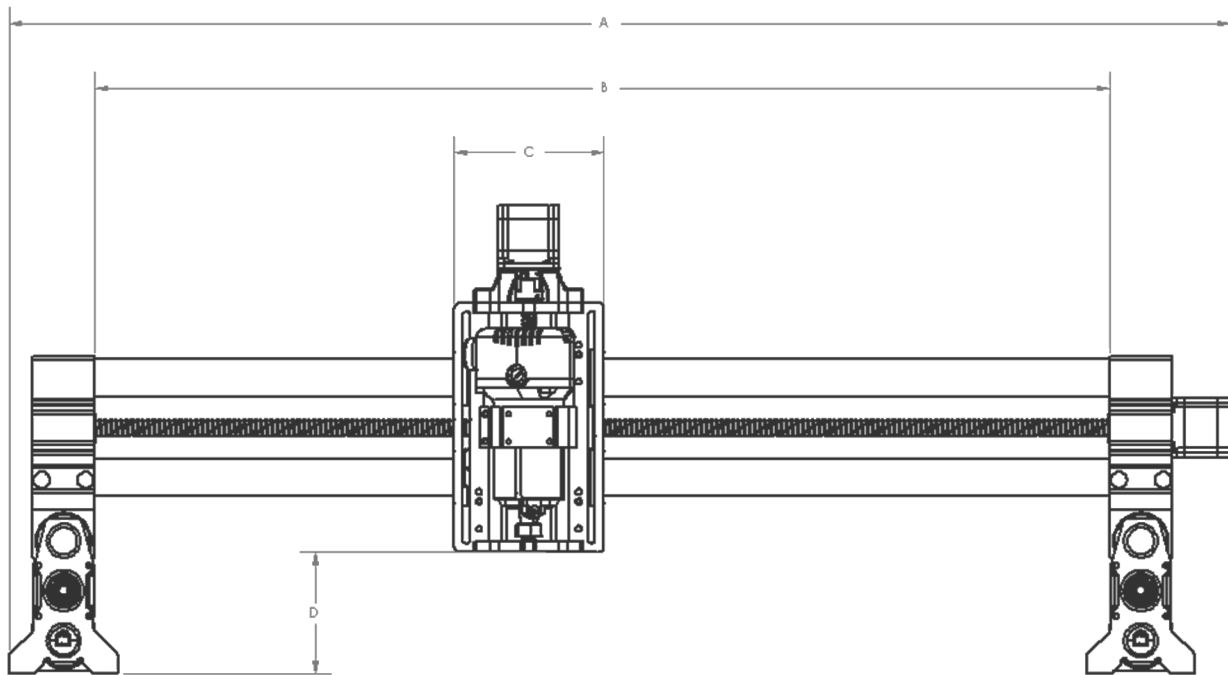
Feature:

Low profile Z-Slider
Fast set-up (less than an hour)
WiFi
Quick connect wiring
4 USB ports
Smooth S-curve acceleration
Control and configure from your web browser
Remote video monitoring (optional)
Wired (ENet) or wireless (WiFi) networking
2 Switched load outputs
PWM & RS485 (VFD) spindle control
3D Visualization of GCode paths
Accurate ETA and time estimates

Optional Accessories:

Suckit Dust Boot
Stiffy (3rd X-Rail)

More coming soon!



General Disclaimer:

While Onefinity has made every effort at the time of publication to ensure the accuracy of the information provided herein, product specifications, configurations, system/component/options availability are all subject to change without notice. Product design specifications and colours are subject to change without notice and may vary from those shown. Errors and omissions excepted. Images displayed are for illustration purposes only. The images are intended to help illustrate the product and its functions and are not indicative of actual relative differences.