

ACE EQUIPMENT COMPANY

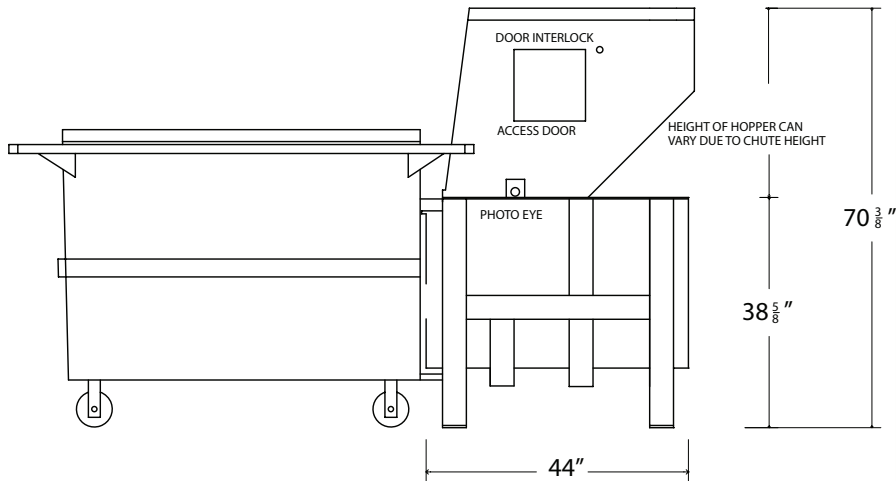


A.5

APARTMENT COMPACTOR

BUILT TUFF

ACE
EQUIPMENT COMPANY
Trash Compactors & Balers
ANTIGO, WI 715-627-2400
aceequipmentcompany.com



A.5 APARTMENT COMPACTOR

Specifications

Charge Box Capacity MFRS. Rating	.39 Cubic Yard
Clear Top Opening	30" x 24"

Structural Specifications

Charge Box Sides	1/4"
Charge Box Floor	3/8"
Ram Face Plate	3/8"
Ram Bottom	3/8"

Electrical Specifications

Electric Motor	3 HP
3 Phase / 60 HZ. / 208-230 / 460 VAC	
Standard Controls: Keylock, Start, Stop, Reverse	

Performance

Cycle Time	29 Seconds
Maximum Force	17,800 LBS
Ram Penetration	5"
Weight	1,800 LBS

Features & Benefits

- Photoelectric control to start up compactor
- Access door with interlock
- Startup alarm with strobe light
- Single side ratchet
- Computer controlled, no limit switch
- Push Button Controls mounted in the panel box face or 12' cealtite
- Hopper with access door and interlock for hand feed or chute feed applications
- Full container light
- Single phase power units available
- Auto shut down for blocked photo eye

Copyright 2012 ACE Equipment Co. ACE Equipment Company specifications are subject to change without notice in order to accommodate improvements to its equipment.

ACE Equipment Company
 W9112 Cherry Road
 Antigo, WI 54409
 Phone: 715-627-2400
 Fax: 715-627-2402

Website: www.aceequipmentcompany.com
 email: aceequipmentcompany@msn.com

