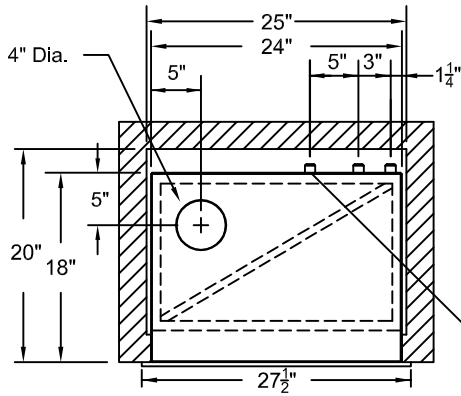


This drawing is property of Pevco Systems International, Inc. It may not be copied or exhibited without written permission.

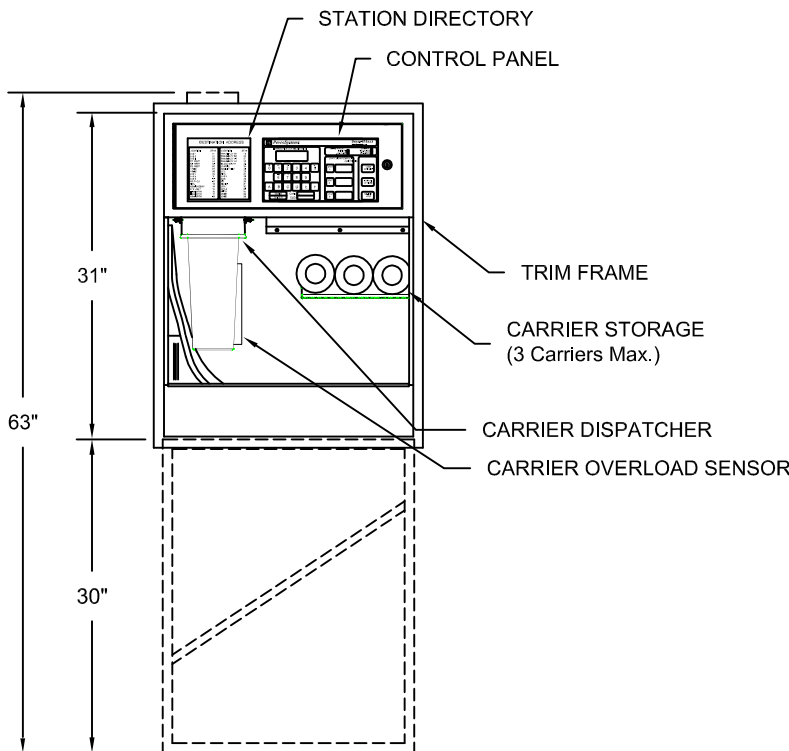


PLAN VIEW

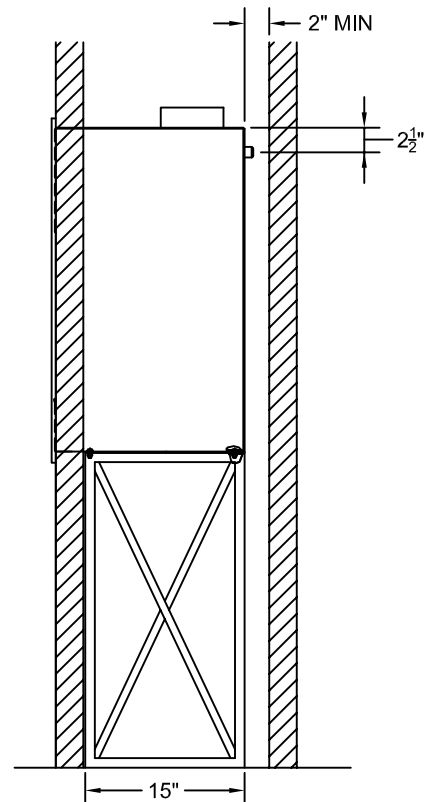
ELECTRICAL CONNECTION (BY OTHERS)
SERVICE DISCONNECT FACTORY WIRED (INSIDE UNIT)

NOTES:

1. STATION REQUIRES 120 VOLT, 5 AMP DEDICATED CIRCUIT (PROVIDED BY OTHERS).
2. ONE 7/8" DIA HOLE IN THE BACK OF STATION FOR COMMUNICATION CABLE CONNECTION.
3. STATION TO BE FLOOR MOUNTED.
4. RECOMMENDED CONTROL PANEL HEIGHT IS 5'-0".
5. ROUGH OPENING IS 20" x 25".
6. STATION WEIGHT IS 156 LBS.



FRONT VIEW



SIDE VIEW



1401 Tangier Drive
Baltimore, Maryland 21220
T 410.931.8800, F 410.931.4660
800.296.PEVCO (7382), www.pevco.com

**WALL RECESSED
COMPACT (1-PORT) STATION**

4" COMPUTERIZED PNEUMATIC TUBE SYSTEMS

SCALE	NONE	DATE
DRAWN	BK/SDW	05.12.10
REVISED	SDW	12.03.10
	SDW	02.11.11
DRAWING NUMBER	PEV200.35	REVISION 2