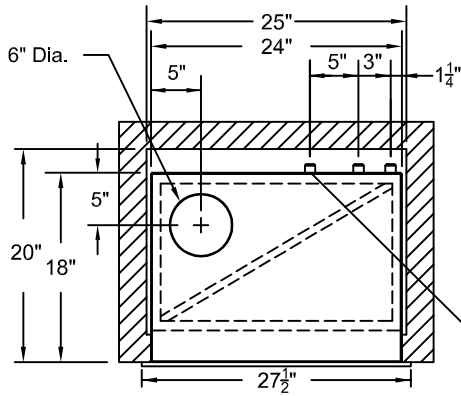


This drawing is property of Pevco Systems International, Inc. It may not be copied or exhibited without written permission.

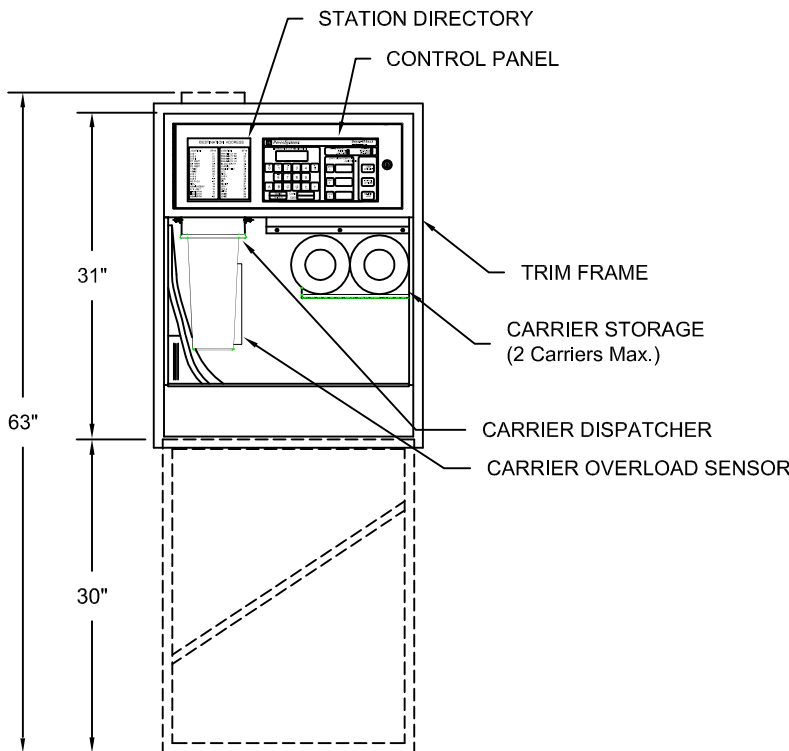


**PLAN VIEW**

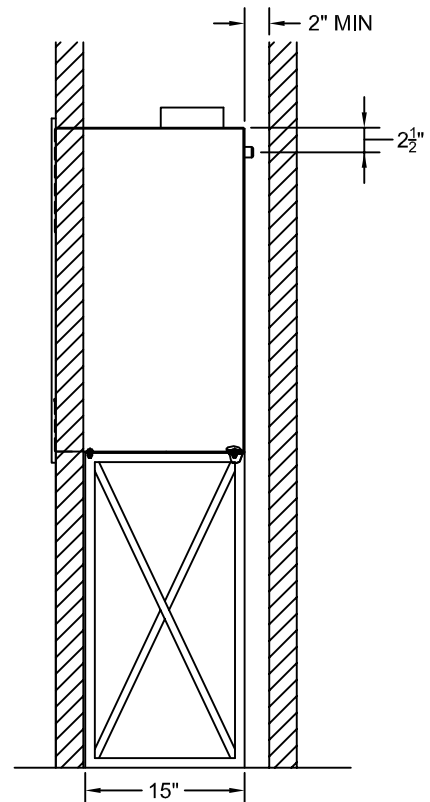
ELECTRICAL CONNECTION (BY OTHERS)  
SERVICE DISCONNECT FACTORY WIRED (INSIDE UNIT)

**NOTES:**

1. STATION REQUIRES 120 VOLT, 5 AMP DEDICATED CIRCUIT (PROVIDED BY OTHERS).
2. ONE 7/8" DIA HOLE IN THE BACK OF STATION FOR COMMUNICATION CABLE CONNECTION.
3. STATION TO BE FLOOR MOUNTED.
4. RECOMMENDED CONTROL PANEL HEIGHT IS 5'-0".
5. ROUGH OPENING IS 20" x 25".
6. STATION WEIGHT IS 162 LBS.



**FRONT VIEW**



**SIDE VIEW**



1401 Tangier Drive  
Baltimore, Maryland 21220  
T 410.931.8800, F 410.931.4660  
800.296.PEVCO (7382), www.pevco.com

**WALL RECESSED  
COMPACT (1-PORT) STATION**

6" COMPUTERIZED PNEUMATIC TUBE SYSTEMS

SCALE	NONE	DATE
DRAWN	BK/SDW	05.12.10
REVISED	SDW	12.03.10
	SDW	02.11.11
DRAWING NUMBER	PEV200.36	REVISION 2