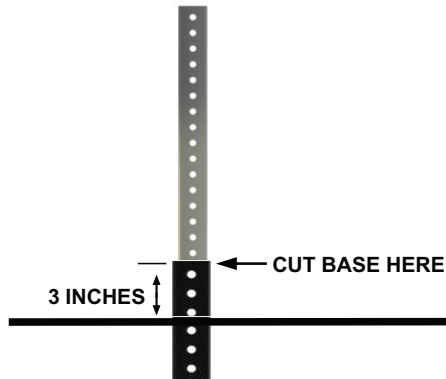


# SPS SIGN POST SAVERS

## SIGN POST SAVER INSTALLATION FOR SQUARE & ROUND

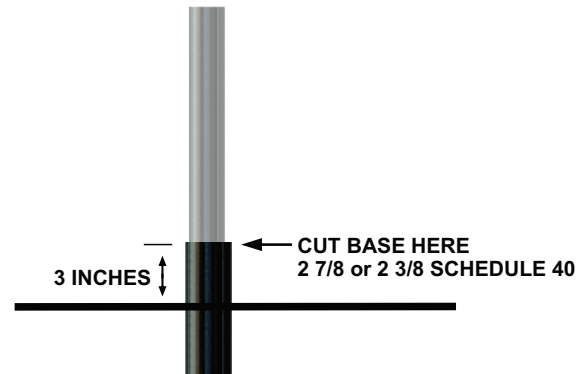
### SQUARE

**Step 1 :** CUT BASE 3 INCHES ABOVE GROUND LEVEL.

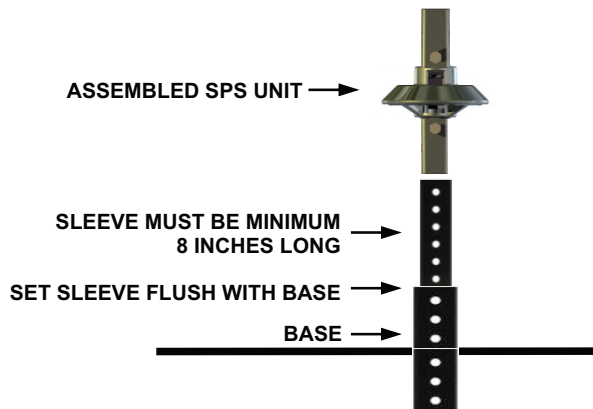


### ROUND

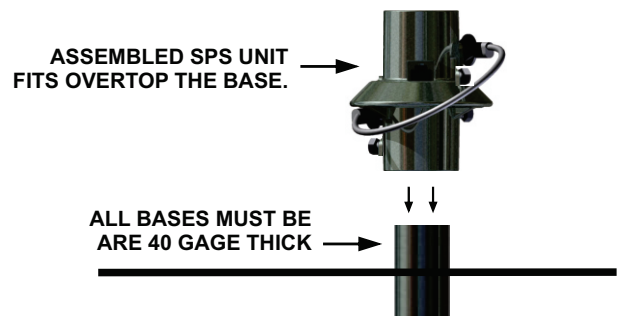
**Step 1 :** CUT BASE 3 INCHES ABOVE GROUND LEVEL USING A STANDARD 2 7/8 SCHEDULE 40 PIPE



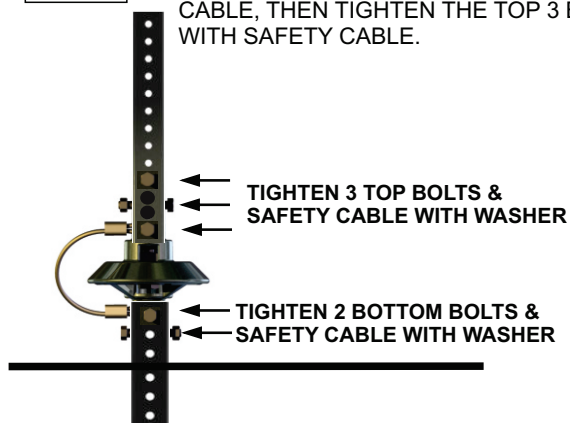
**Step 2 :** INSERT ASSEMBLED SPS UNIT INTO SLEEVE AND SLEEVE INTO BASE.



**Step 2 :** INSERT SPS UNIT OVER TOP BASE



**Step 3 :** TIGHTEN BOTTOM 2 BOLTS WITH SAFETY CABLE, THEN TIGHTEN THE TOP 3 BOLTS WITH SAFETY CABLE.



**Step 3 :** TIGHTEN BOTTOM 2 SET SCREWS WITH SAFETY CABLE, THEN TIGHTEN THE TOP 2 SET SCREWS WITH SAFETY CABLE.

