

niftylift

SP85

HYBRID 4x4



Aerial Titans Inc
www.aerialtitans.com
 866-874-0584

(A) 28m
92ft



(B) 26m
85ft 6in



(C) 19m
62ft



280kg
620lbs



2.4m x 0.9m
7ft 10in x 2ft 11in



150°



180°



(D) 2.7m
8ft 10in



(F) 2.49m
8ft 2in



(H) 7.3m
23ft 11in



(J) 9.28m
30ft 5in



4.7km/h
3mph



5.9m
19ft 4in



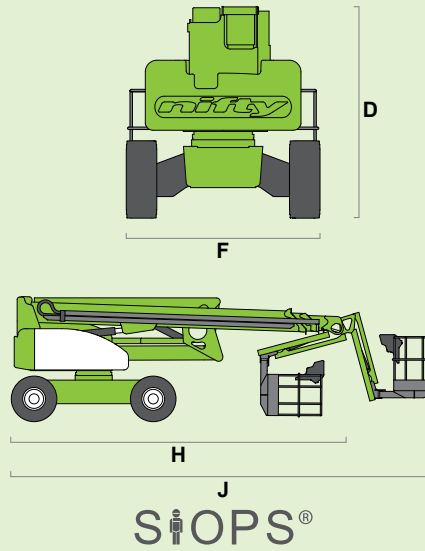
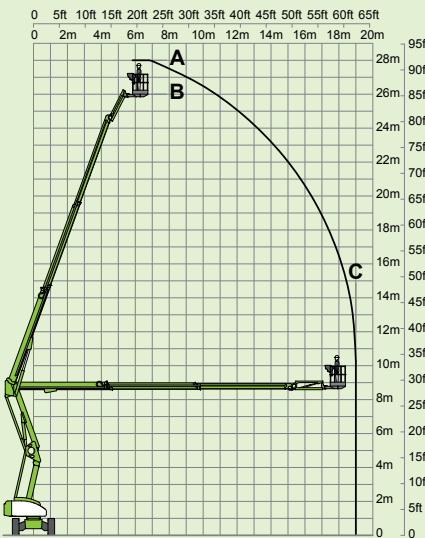
40%
22°



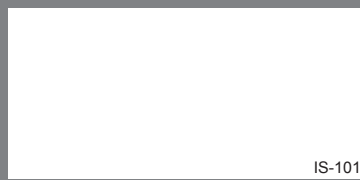
14650kg
32300lbs



HYBRID



niftylift
 1525 S. Buncombe Road,
 Greer, SC - 29651
 United States
 1-800-643-8954
usasales@niftylift.com
www.niftylift.com



IS-101