

Walk with Us to a Brighter Tomorrow

## Mono PV Module [JS-335M-LI72]

\* Available with black frame and/or black back sheet

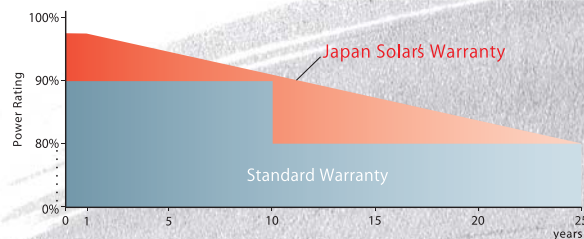
Maximum Power  
**335W**

Module Efficiency  
**17.3%**

Product Warranty  
**10 years**

Linear Performance Warranty  
**25 years**

When the actual power output of the products is less than 97% of nominal maximum power output in the first year; or when the loss of output power shall not exceed 0.7% per year, ending with 80% in 25th year from the warranty effective date.



## Product Specification

Module Type	JS-335M-LI72	Connector Type	MC4
Maximum System Voltage	DC1000 V	Cable Length	1200 mm
Weight	23.5kg (51.1 lbs)	Dimensions	1960 × 990 × 40mm (77.2 × 39.0 × 1.6 in)
Cell Type	Mono	Fire Performance	Type 1
Cell Dimensions	156 x 156 mm (6 in)	Application Class	A
Cells per Module	72 (6 x 12)	Safety Class	II
Maximum Series Fuse	15 A	Nominal Operating Cell Temperature (NOCT)	45 ± 2°C

## Output Characteristics

Maximum Power (Pmax)	335 W*
Open Circuit Voltage (Voc)	46.7 V
Short Circuit Current (Isc)	9.30 A
Maximum Power Voltage (Vmpp)	38.2 V
Maximum Power Current (Imp)	8.77 A
Module Efficiency	17.3 %
Voltage Temperature Coefficient	-0.30 % / °C
Current Temperature Coefficient	+0.05 % / °C
Power Temperature Coefficient	-0.39 % / °C

The electrical data relates to Standard Test Conditions [STC]: 1,000 W/m<sup>2</sup>; AM 1.5; 25 °C  
 Certified in accordance with UL1703.  
 \*Power Tolerance: 0 ~ +3 %

## Operating Conditions

Temperature Range	-40 to +85 °C
Relative Humidity	5 ~ 85 %
Max. Load Capacity	Snow 5400 Pa, Wind 2400 Pa

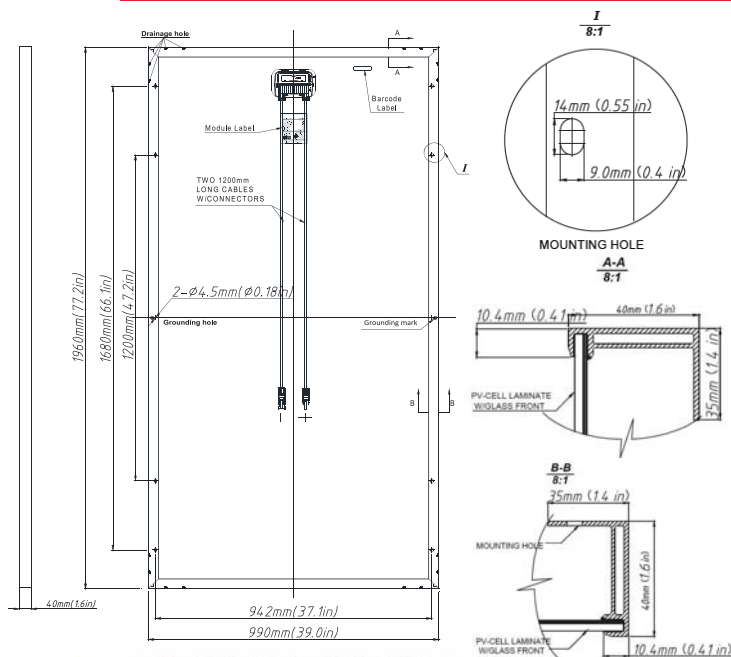
## Certification



## Packaging Information

Number of Modules per Pallet	26
Number of Pallets / Modules per 20' Container	10 / 260
Number of Pallets / Modules per 40' Container	22 / 572

## Dimensions



## IV-Curves

