

ABANAKI

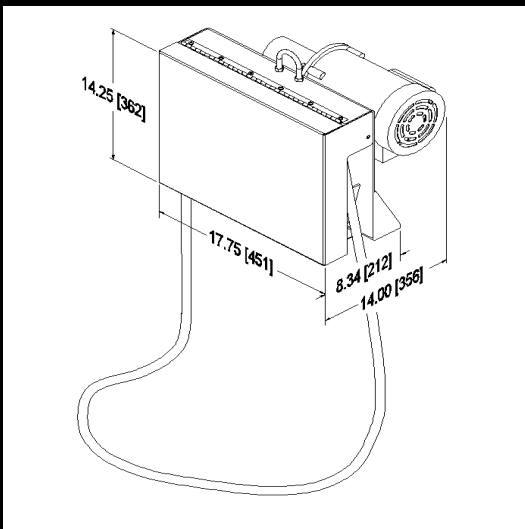
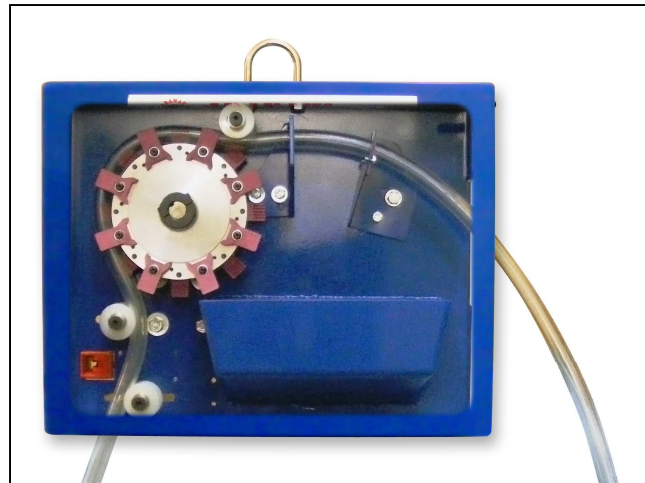
The *Oil Viper* Tube Skimmer

The Abanaki *Oil Viper* tube skimmer effectively removes floating surface oils by means of a oleophilic (oil attracting) 3/4 inch diameter continuous looped tube. The tube extends out over the surface of the tank or pit and collects the free floating oils.

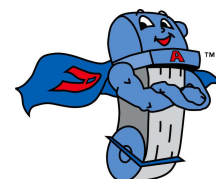
The *Oil Viper* has a specially designed method for removing the oil from the tube. It has a unique wiper combination attached to the tube itself in addition to the ceramic wiper on the skimmer. The result is a virtually oil free tube as it leaves the skimmer for quicker oil removal. removal rates can be as high as one hundred gallons per hour.

The unit is powered by a fractional horse power TEFC in any voltage configuration. Explosion proof and wash down duty motors are available. For safety, there is an automatic shutoff switch built in that shuts the skimmer off when the cover is in the open position. The tube is available in lengths up to one hundred feet. Mounting holes are predrilled into the bottom of the unit for easy mounting to any flat surface.

The *Oil Viper* is designed to remove all types of oil, making it perfect for use in any industrial or food processing industry where free floating oil is present.



- Compact design fits almost any tank or pit
- Explosion proof motors available
- Tubes with up to 100 foot reach
- Safety shut off switch for safe maintenance
- Simple and effective drive design for lasting performance.
- Unique wiping system for more effective oil removal.



ABANAKI
CORPORATION
17387 Munn Road
Chagrin Falls, OH 44023
Phone: (440) 543-7400
Fax: (440) 543-7404
1-800-358-SKIM (7546)
www.abanaki.com