

COPYRIGHT
THIS DRAWING IS THE PROPERTY OF BOTIN PARTNERS, S.L. AND MAY NOT BE COPIED OR USED FOR ANY PURPOSE OTHER THAN THAT FOR WHICH IT IS SUPPLIED WITHOUT PRIOR, EXPRESS, WRITTEN PERMISSION OF BOTIN PARTNERS, S.L.

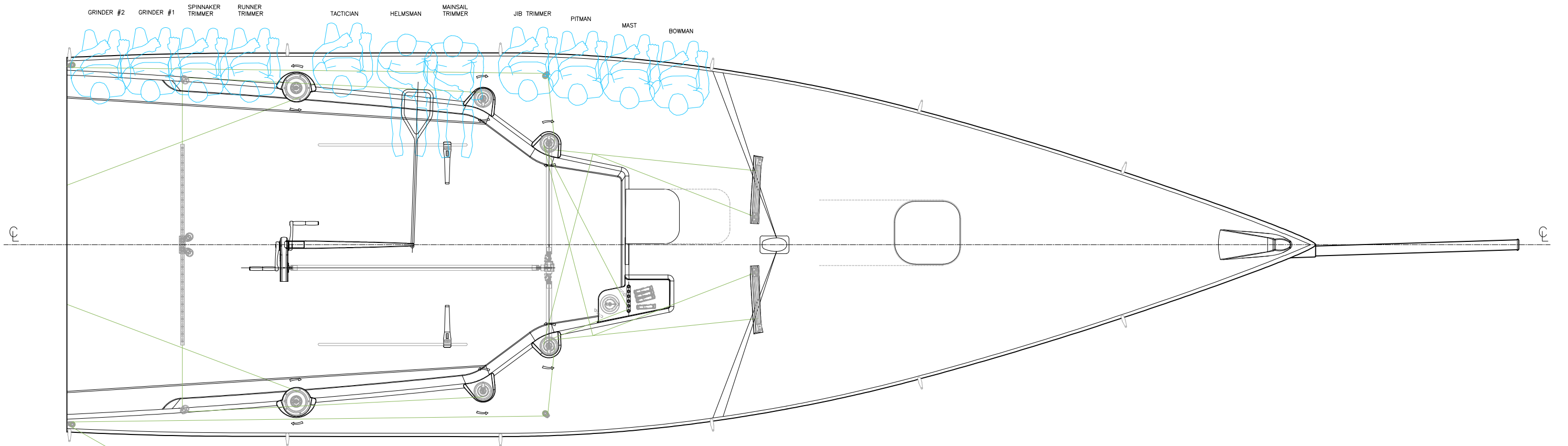
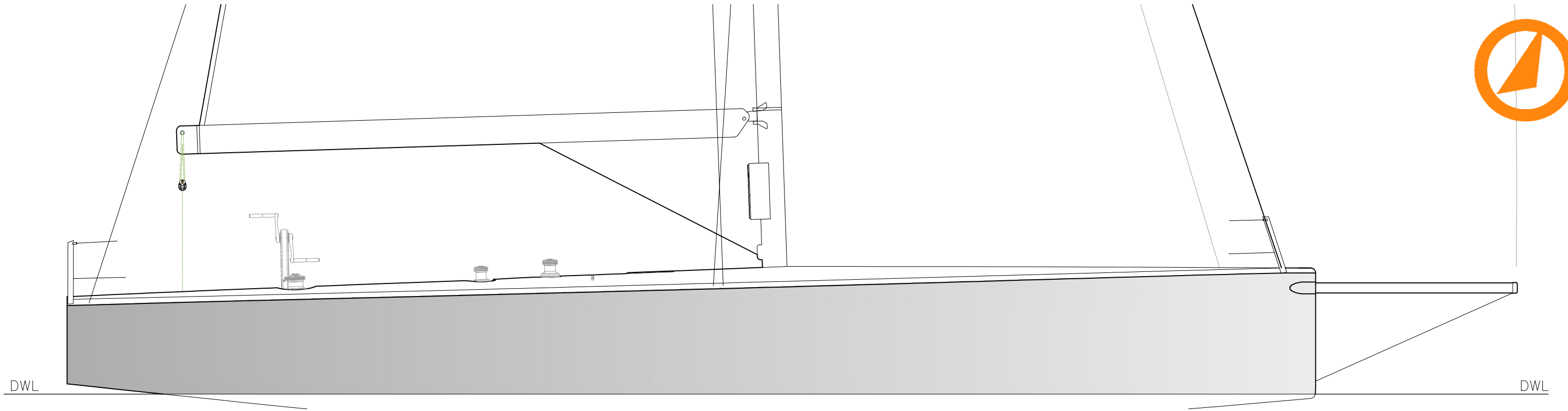
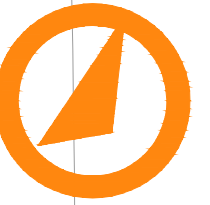
PROJECT:
BP292 - Fast 40+

BOTIN PARTNERS

SCALE: 1:40 IN A3
DATE: 29/09/2016
DRAWN: SCM
DRAWING N°: BP292-000-08-Yacht Concept

DRAWING TITLE:
Sail Plan

NAVAL ARCHITECTURE
CALVO SOTELO 19-6.3
SANTANDER 39002. CANTABRIA. SPAIN
TEL: +34 942 356 056 FAX: +34 942 356 057
info@botinpartners.com



COPYRIGHT

THIS DRAWING IS THE PROPERTY OF BOTIN PARTNERS, S.L. AND MAY NOT BE COPIED OR USED FOR ANY PURPOSE OTHER THAN THAT FOR WHICH IT IS SUPPLIED WITHOUT PRIOR EXPRESS WRITTEN PERMISSION OF BOTIN PARTNERS, S.L.

SCALE:
1:40 IN A3

DATE:
14/10/2016

DRAWN:
SCM

DRAWING N°:
BP292-700-P00-Deck Plan

PROJECT:

BP292 - Fast 40+

DRAWING TITLE:

Deck Plan

BOTIN PARTNERS

NAVAL ARCHITECTURE

CALVO SOTELO 19-6.3 TEL: +34 942 356 056 FAX: +34 942 356 057
SANTANDER 39002. CANTABRIA. SPAIN info@botinpartners.com