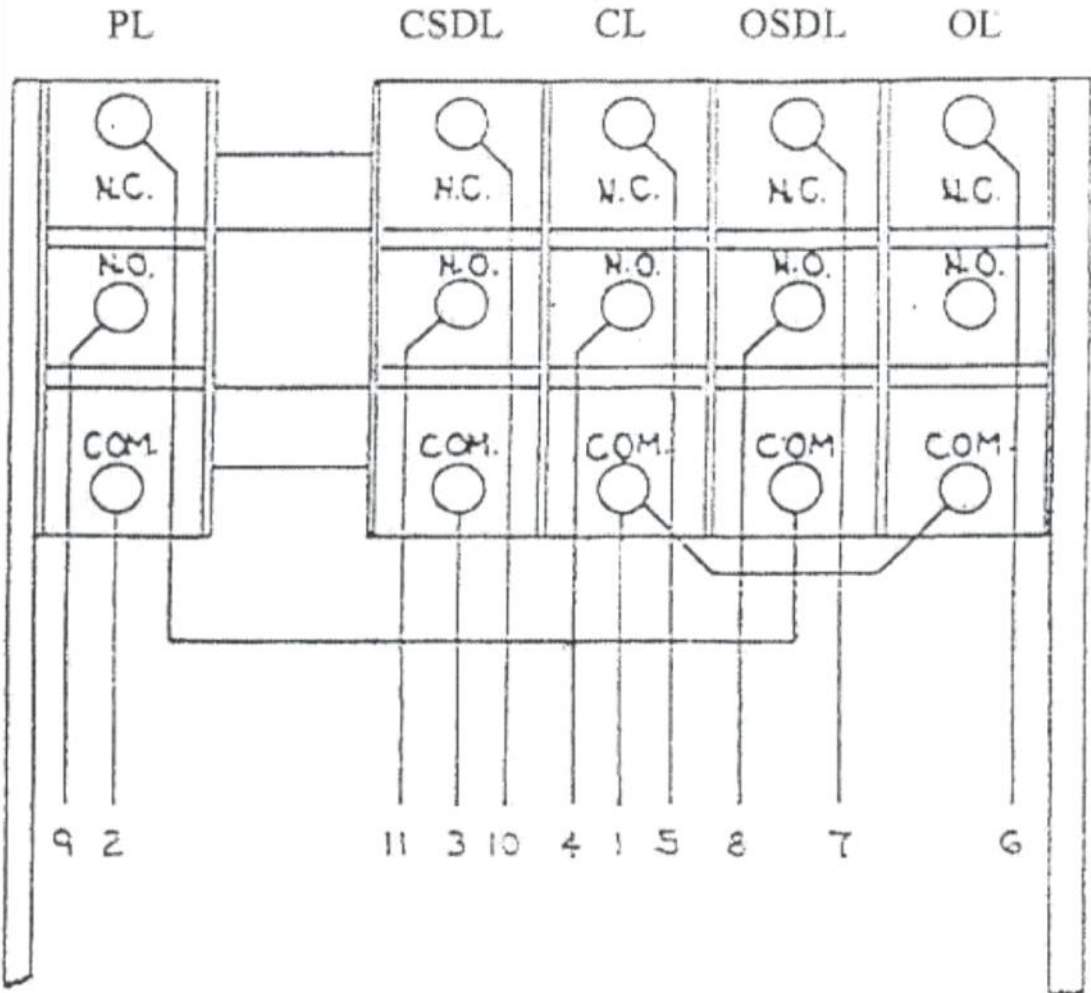


# Mac Door Controller - MES330RH

How to connect wiring harness to microswitches



- 1 – Black
- 2 – Red
- 3 – Orange
- 4 – Blue
- 5 – Green
- 6 – White
- 7 – Black/white stripe
- 8 – Red/black stripe
- 9 – Green/black stripe
- 10 – Orange/black stripe
- 11 – Blue/black stripe