



Designed with users in mind

CIBES A6000 – has the comfort and convenience of a traditional cabin lift.

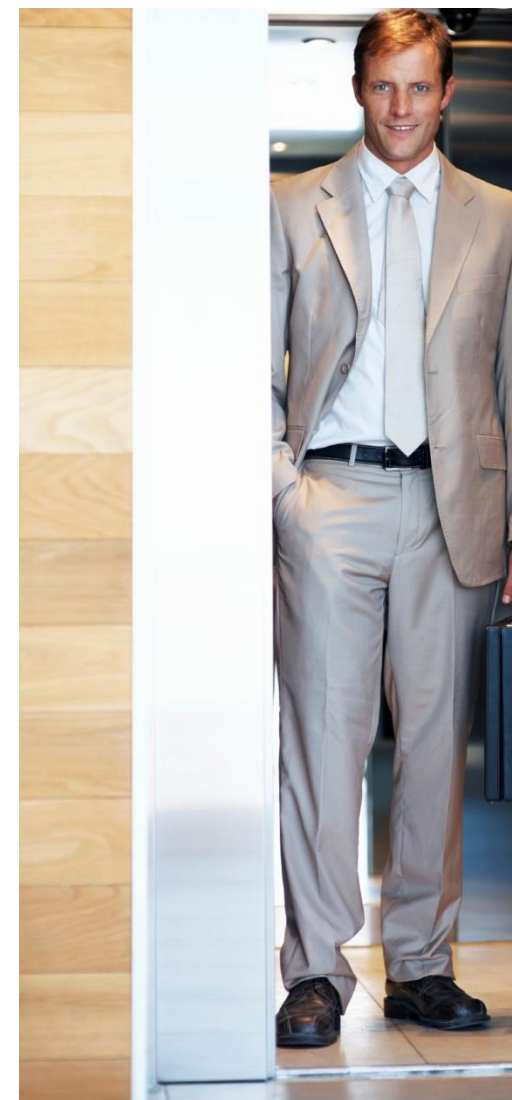
Can be installed almost anywhere and is the ideal solution in existing buildings requiring improved accessibility.

No machine room is required as the lift works on a screw and nut drive mechanism, with machinery installed internally.

The design meet legal requirements where alternative platform lifts are not suitable.

CIBES A6000 is built on spot, installation is quick and simple.

CIBES A6000 is cost efficient in both purchase, installation time and maintenance, especially when compared with a traditional cabin lift.



Key features

- Rated load 400 kg, 5 people
- Travel height 13 m, 6 landings
- Soft start and stop screw drive
- Fully enclosed cabin
- 70mm recess or ramp to lower level



Slides, beam and screw construction, possible to order divided screw in 2000 mm sections (4200mm standard)

Emergency lowering from control buttons inside and from electrical compartment as standard

- The Electrical compartment is always delivered as external

- Double blade telescopic, sliding doors, one side, opens towards machine side



Threshold

Key features

- Fully enclosed cabin

- Integrated mirror on the lift car wall

- Sound insulated car walls gives a quiet ride

- Auto run control buttons
Numbers has an embossed profile (0,8 mm high) for optimum tactile feeling.
Buttons with numbers are moulded with braille.

• Car size (WxDxH) mm
1100x1400x2200

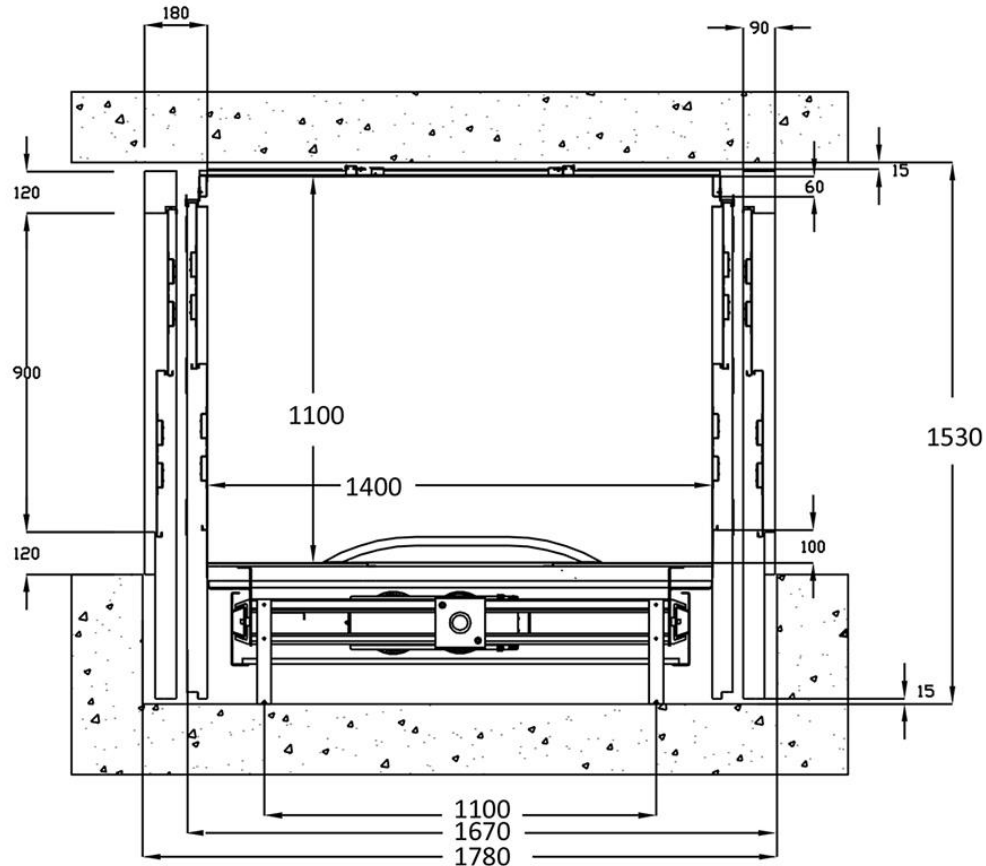
- Automatic LED lighting that reduces power consumption

- Level indicator on a 7" flat screen



- As standard car floor features a non-slip dark grey rubber carpet Altro Walkway Plus™ 20/- options carpets available with different surface

Cibes A6000 sizes

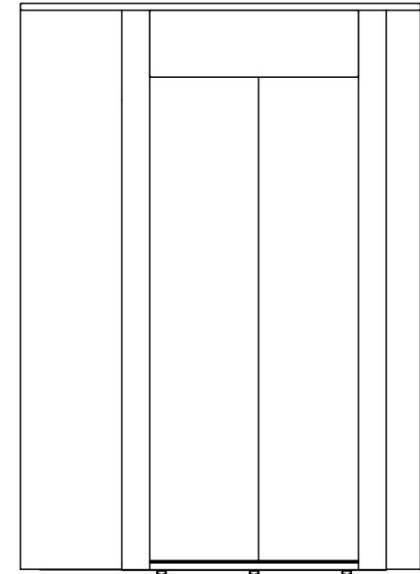


Car size (w x d) mm : 1100 x 1400

- The exact cut out sizes vary depending on the configuration of the lift, and site specifications

Cibes A6000 Doors

<u>Door name</u>	<u>AS2</u>	<u>E120</u>
Clear door opening size mm, (WxH)	2100x900	2100x900
Telescopic, sliding door	x	x
Fire rated	-	x
Powder coated std. finish:RAL 9016	x	x



Cibes A6000 - Technical Information

Technical information

Platform size	1100x1400mm
Cabin area open through	1100x1400mm
Min. shaft size -open through	1530x1780
Min. shaft size - single entry	1530x1670
Cabin height	2200 mm
Top clearance in shaft	2700 mm
Pit depth	70 mm or 0 mm(ramp)
Min. height to the ceiling	2300mm (clear door opening + 100)
Min lifting height	70mm
Rated load	400kg / 5 pers
Lifting height	13m Higher = special

Doors

Fire rated door as option	Name AS2
Sliding doors in steel, telescopic, one side,	Name E120
Cut out size sliding doors	RAL 9016
Outer dim. sliding doors	Min 1100x2200mm
Light curtain – between the door blades	1140x2430mm

Cabin design - Standard

Cabin wall, steel panels, RAL 9016
Sound insulation
Cabin roof with service hatch, rated load 200kg,
Ceiling, steel Powder coated RAL 9016
Lighting, LED adjustable spotlights (4)
Flooring, Altro Walkway Plus™ 20/Dark Grey
Emergency light
Control panel with tactile and braille buttons
Re-opening door button
Level indicator, 7" flatscreen
6 landings
Key sound effect
External Electrical compartment
Battery emergency lowering device, from inside and outside
Frequency converter, soft start/stop, 3 phase (incl as standard)
Handrail in aluminum

Cibes A6000 - option

Door options

- Change of door width
- Change of door height
- Externally fitted, big elbow door control button
- Remote call button
- Remote call button (in addition to call button)
- Level indicator on door front

Locking options

- Key lock replacing callbutton on control panel
- Key lock replacing callbutton on door
- School lock system/callbutton plus keylock
- Remote lock and call button w automatic locking of door
- Code locking on door
- Code locking on control panel

Communication options

- Auto dial emergency telephone
- GSM unit
- Voice announcer
- Intercom

Electricity options

- Outlet socket in electrical compartment
- Fire drive
- Automatic lighting system in car

Paint finish option

- Powder coated door and frame in any RAL-color
- Powder coated car walls in any RAL-color
- Powder coated control panel in any RAL-color

Other Options

- IR control, max 4 landings
- Radio control
- Fold down seat
- Floor without carpet
- Alternativ carpet
- Alarm beacon
- Ramp
- Mirror
- Arrival signal

Lifting screw Devided screw parts in 2000mm length is possible

Thank's for your attention !