

# Turbo Turbidity Sensor WITH DATALOGGING

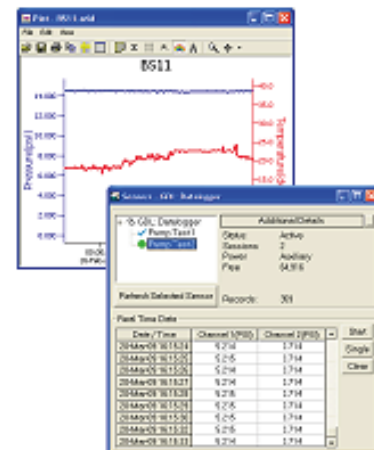


## APPLICATIONS

- Monitoring streams and rivers
- Monitoring water storage bodies, including stratification studies
- Intermediate and final effluent treatment monitoring
- Hydrological run-off studies
- Ground and bore water analysis
- Drinking water filtration efficiency
- Industrial process monitoring
- Sludge and dredge monitoring

## Features

- Measures and records turbidity and temperature
- Modbus® RTU (RS485)
- 260,000+ record non-volatile memory — *no data loss in the event of a power failure*
- Wireless connectivity — *radios and/or cellular*
- Programmable warm-up time
- Free, easy-to-use software
- Replaceable wiper blade



## FREE AQUA4PLUS SOFTWARE

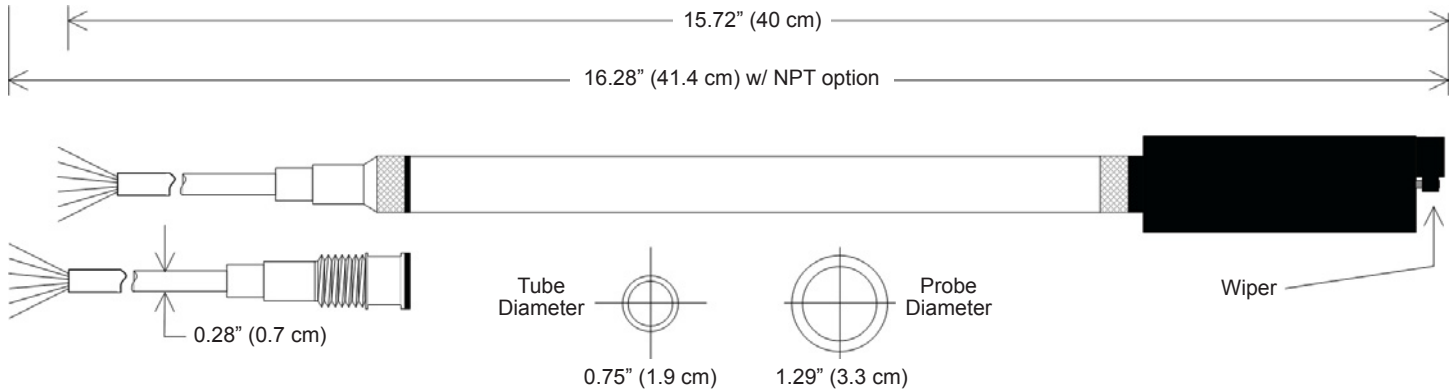
- Set up flexible recording sequences
- Retrieve data
- Monitor real time data
- View collected data — *tables & graphs*
- Export to spreadsheets and databases with a click of a button



True data, measure by measure

1-800-PRO-WELL  
[WWW.INWUSA.COM](http://WWW.INWUSA.COM)

## Turbo Turbidity Sensor with Data Logging



### GENERAL

<b>Length</b>	15.72" (40 cm) with cable harness 16.28" (41.4 cm) with NPT adapter
<b>Probe Diameter</b>	1.29" (3.3 cm)
<b>Tube Material</b>	Delrin® & 316 stainless steel or titanium
<b>Probe Material</b>	Composite
<b>Wire Seal Material</b>	Viton® and Teflon®
<b>Submersible Cable</b>	Polyurethane, polyethylene, or FEP available
<b>Terminating Connector</b>	Available
<b>Communication</b>	RS485 Modbus® RTU
<b>Direct Modbus Read Output</b>	32-bit IEEE floating point
<b>Internal Math</b>	32-bit floating point
<b>Operating Temp. Range</b>	0° C to 40° C
<b>Storage Temp. Range</b>	-20° C to 50° C

### SENSOR

<b>Measuring Range</b>	0 – 1000 NTU
<b>Accuracy</b>	2% @ 25° C
<b>Repeatability</b>	± 2% @ 25° C
<b>Temperature Range</b>	0° C to 40° C
<b>Maximum Depth</b>	100 ft (30 m)

### POWER

**External Power Pack Required** 9-15VDC  
INW Power Packs available.  
Contact INW for details.

### LOGGING

<b>Memory</b>	260,000+ records
<b>Log Types</b>	Variable, user-defined, logarithmic, profiled
<b>Programmable Baud Rate</b>	9600, 19200, 38400
<b>Logging Rate</b>	2x/sec maximum
<b>Software</b>	Complimentary Aqua4Plus
<b>Networking</b>	32 available addresses per junction w/ batching capabilities (up to 255)
<b>File Formats</b>	.xls / .csv / .a4d

©2012 Instrumentation Northwest, Inc. All rights reserved. INW and AquiStar are registered trademarks of Instrumentation Northwest. Modbus is a registered trademark of Schneider Electric. Information in this document is subject to change without notice. Viton, Teflon, and Delrin are registered trademarks of DuPont Company. Doc# 6D0120r1 04/12

## SALES & SERVICE LOCATIONS

8902 122nd Avenue NE  
Kirkland, WA 98033 USA  
425-822-4434  
FAX 425-822-8384 / info@inwusa.com

4620 Northgate Boulevard, Suite 170  
Sacramento, CA 95834 USA  
916-922-2900  
FAX 916-648-7766 / inwsw@inwusa.com

1-800-PRO-WELL  
WWW.INWUSA.COM

