

# OZ-FEx55

## DAY & NIGHT VISION NETWORK COLOR PTZ x55 ZOOM CAMERA FOR LOW LIGHT OBSERVATION SCENARIOS

### MAIN FEATURES

#### HD DAY SENSOR

x55 MOTORIZED CONTINUOUS ZOOM DAY LENS

VERSATILE PAN TILT PLATFORM

IP INTERFACE

UP TO 250 PRESETS

VARIABLE SPEED 0.02°-20°/s PAN and TILT

HORIZONTAL CONTINUOUS ROTATION, VERTICAL +45° / -20°

AUTOPAN, PRESET, PATROL

OPERATING TEMP. -10°C / +60°C

POWER SUPPLY 230 VAC / 24VDC or 120VAC

MAX. PAYLOAD 7.6Kg

### PAN TILT PLATFORM SPECIFICATIONS

#### MECHANICAL

Cable glands: 3xM16

Horizontal rotation: continuous

Vertical rotation: +45° to -20°

Horizontal speed (variable): from 0.02°/s up to 20°/s

Tilt speed (variable): from 0.02°/s up to 20°/s

Internal usable area: see drawings

Enclosure glass window (WxH): 118x75mm (4.6x2.7in)

Preset accuracy: 0.02°

Unit weight: 16.3kg (16.8kg with LED illuminators bracket)

#### ELECTRICAL

Suitable for use with network cameras

Input voltage

230Vac, 50/60Hz, 100W

24Vac, 50/60Hz, 100W (150-190W max, with LED illuminators)

120Vac, 50/60Hz, 100W

Current Consumption

230Vac, 0.4A

24Vac, 4A (8A, with LED illuminators)

120Vac, 0.8A

Camera power supply

12Vdc (800mA)

4 self-powered alarm inputs

2 clean contacts: 30Vdc max or 30Vac, @ 1A

#### COMMUNICATIONS

Ethernet connection: IEEE 802.3 100Base-Tx



**PROTOCOLS**

ONVIF, S profile

**CERTIFICATIONS**

CE: EN60950-1, EN60950-22, EN61000-6-4, EN55022 Class A, EN50130-4  
 IP66 EN60529 cULus Listed, Type 4X (not for thermal cameras version)

**ENVIRONMENTAL**

Indoor/Outdoor  
 Operating temperature (with heater)  
 -10°C (14°F)/+60°C (140°F)  
 Resistant to salty fog (EN50130-5, EN60068-2-52)  
 Surge immunity: up to 2kV line to line, up to 4kV line to earth (Class 4)



**DAY SENSOR SPECIFICATIONS**

**IMAGE SENSOR**

CMOS, 2/3"

**MINIMUM SUBJECT ILLUMINATION**

0.005lx (F1.4, 1/30, +60 dB)

**RESOLUTION (PIXEL SIZE)**

5.0µm (H) × 5.0µm (V)

**TOTAL PIXELS**

Approx. 2.60 Mpixels. 2270 (H) × 1144 (V) Pixels

**EFFECTIVE PIXELS**

Approx. 2.20 Mpixels. 1974 (H) × 1100 (V) Pixels

**IMAGE SENSING**

Color

**FILTER**

RGB Primary Color Filter (Bayer Array).

**SENSITIVITY**

F11 2000lx

**HORIZONTAL DEFINITION**

Over 900TV lines

**SENSITIVITY**

390-700 nm

**SPECTRAL SENSITIVITY**

390-700 nm

**VIDEO NOISE CONTROL**

KCnoise™ – Proprietary 2D/3D Noise Reduction

**DYNAMIC RANGE**

250%

**SCANNING SYSTEM**

Progressive

**OVERLOAD RESPONSE**

Rapid, recording even with ambient light changes

**FRAME RATE**

60 fps

**ELECTRONIC ZOOM**

x1, x2, x3, x4, x5, x6, x7, x8, x9, x10

**PICTURE FLIP**

Vertical /Horizontal /Vertical & Horizontal

**TEST PATTERNS**

Color Bars, Grayscale, Crosslines (Embedded)

**PRIVACY MASK**

8 Types (Gray/ white/ Black)

**OSD**

Operation Menu S/N RATIO Over 50dB (γ=1, Edge Enhancement OFF)

**LENS MOUNT**

CS

**LENS CONTROL**

4-pin DC iris control

**ELECTRONIC SENSITIVITY BOOST**

OFF, 1/100, 1/125, 1/250, 1/500, 1/1,000, 1/2,000, 1/4,000, 1/10,000, Variable

**AUTO GAIN**

AGC / HYPER-AGC,

**MANUAL GAIN**

LOW / MID / HIGH

**ELECTRONICS SHUTTER:**

“OFF, 1/100, 1/125, 1/250, 1/500, 1/1,000, 1/2,000, 1/4,000, 1/10,000, Variable

**BACKLIGHT CORRECTION**

×5 area select

**GAMMA CORRECTION**

45 / 0.75 / 1

**DNR**

FF, Low, High

**WHITE BALANCE**

W1 / ATW2 / AWC / manual

**WDR MODE**

FF / WDR / AUTO KNEE / AUTO BLACK STRETCH

**FOG AND SMOKE ELIMINATION**

KCfog™ –Enhanced Visibility in Foggy /Smoky Environments

**COLOR MATRIX**

R/G/B/Ye/Cy/Mg 6-Axis Control

**DAY LENS SPECIFICATIONS**

MODEL NUMBER		TM55Z1038AIPNX2	
IRIS	AUTO IRIS (VIDEO)		
	FOCUS	MORTORIZED • PRESET	
	ZOOM	MORTORIZED • PRESET	
BUILT-IN x2 EXTENDER	NOT WORKING	WORKING	
FOCAL LENGTH	10-550mm	20-1100mm	
IMAGE FORMAT	1/2"		
APERTURE RATIO	F3.8-360	F7.6-720	
ANGLE OF VIEW	DIAGONAL	W42.66°T0.86°	W21.99°T0.43°
	HORIZONTAL	W34.57°T0.69°	W17.67°T0.34°
	VERTICAL	W26.33°T0.52°	W13.30°T0.26°
M.O.D.	5.0m		
FILTER SIZE	M95.0mm P=1.0		
DIMENSIONS	W132.0 X H120.5 X L298.5		
WEIGHT	APPROX 4070g		
MOUNT	C		

■ AUTO IRIS (VIDEO)

INPUT VOLTAGE	DC+8V~DC16V
CURRENT CONSUMPTION	30mA OR LESS
CURRENT CONSUMPTION	VS or V SIGNAL
IRIS ACCURACY	±15% AT VIDEO SIGNAL LEVEL
SENSITIVITY	1.0~5.5 Vp-p
RESPONSE SPEED	APPROX.4 SEC.

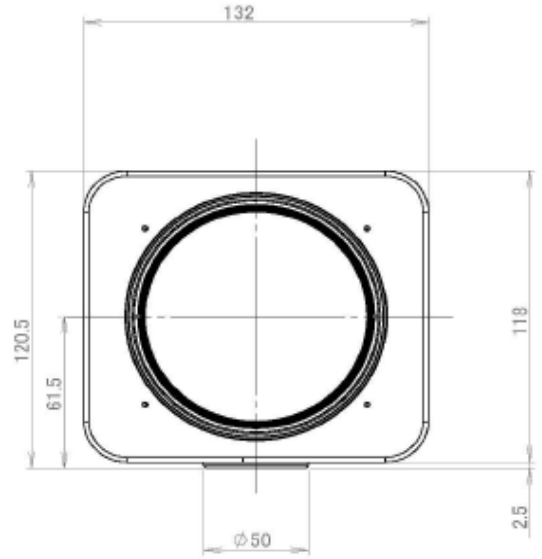
■ FOCUS/ZOOM

	FOCUS	ZOOM
INPUT VOLTAGE	DC6V~DC12V	
CURRENT CONSUMPTION	40mAOR LESS	50mAOR LESS
MOTORIZATION SPEED(12V)	APPROX.6 SEC.	APPROX.4 SEC.

■ BUILT-IN x2 EXTENDER

INPUT VOLTAGE	DC6V~DC12V
CURRENT CONSUMPTION	40mAOR LESS
MOTORIZATION SPEED(12V)	APPROX2.0SEC.

**DAY LENS DIMENSIONS, mm (FRONT)**



**HOUSING DIMENSIONS**

