

# VIBRA SCHULTHEIS



## Round Screening Machine RS with double motor drive





## Round Screening Machine RS with double motor drive

### Application

Protective screening of vertical mass flows, installation in bag tipping stations and emptying devices for big bags and containers.

Versions with or without outlet for oversize particles.



### Advantages

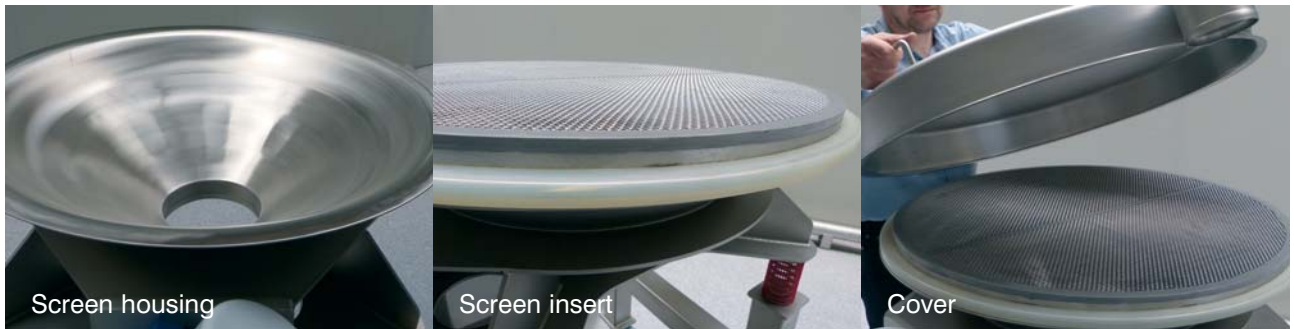
- Machinery completely in stainless steel except motor vibrators
- Easy to clean and low-maintenance, suitable for the food and pharmaceutical industries
- Dust tight with removable, FDA approved seals
- Suitable for use in dust explosion zones 21 and 22 as well as gas explosion zones 1 and 2
- Small footprint, inlet and outlet in a vertical line, special designs possible
- Variable oversize discharge nozzle on the circumference
- Throw angle and amplitude can be adjusted within a wide range for optimal screening performance. The machines are designed for a high vertical acceleration



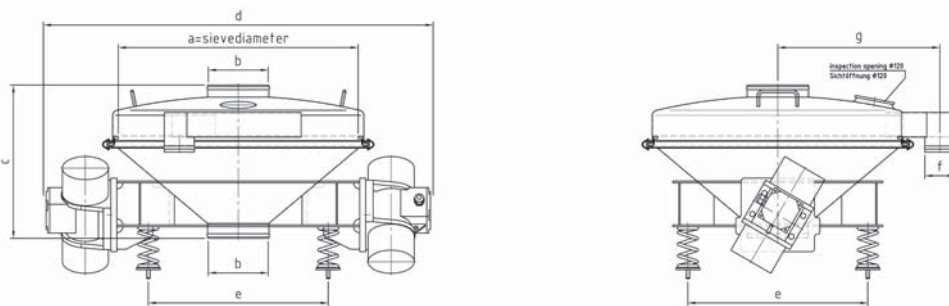
Variable oversize discharge nozzle

## Design

The round screening machine type RS has a three-tier structure consisting of the screen housing with drive unit, screen insert, and cover. The various parts can be taken apart very quickly and individually cleaned. The entire machine has a vibration proof design and is rated for high acceleration forces. It is driven by continuously operated motor vibrators in the VIBRA DV series. Soft compression springs or rubber springs provide good vibration isolation. With the exception of the drive all parts are made from stainless steel.



## Dimensions



Type	Main dimensions						Weight [kg]	Drive [kW]
	a	b	c	d	e	f		
RS 8 (-U)	800	200	510	1300	600	100	160	2 x 0,33
RS 10 (-U)	1000	200	620	1550	750	100	250	2 x 0,55
RS 12 (-U)	1200	250	730	1800	900	100	380	2 x 0,61

U = Version with outlet for oversize particles

Special designs with a screen diameter of 1400 mm and 2 screen decks can be supplied on request.





# VIBRA SCHULTHEIS



Round screening machines for screening salt



Round screening machine in a bag tipping station

## **VIBRA MASCHINENFABRIK SCHULTHEIS GmbH & Co.**

Im Großen Ahl 41 - 51

**D-63075 Offenbach am Main**

Phone +49 (0)69/86 00 03-0 P. O. Box 13 01 48

Fax +49 (0)69/86 00 03 45 D- 63032 Offenbach am Main

Internet: <http://www.vibra-schultheis.com> · E-mail: [info@vibra.de](mailto:info@vibra.de)

