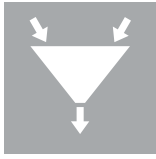
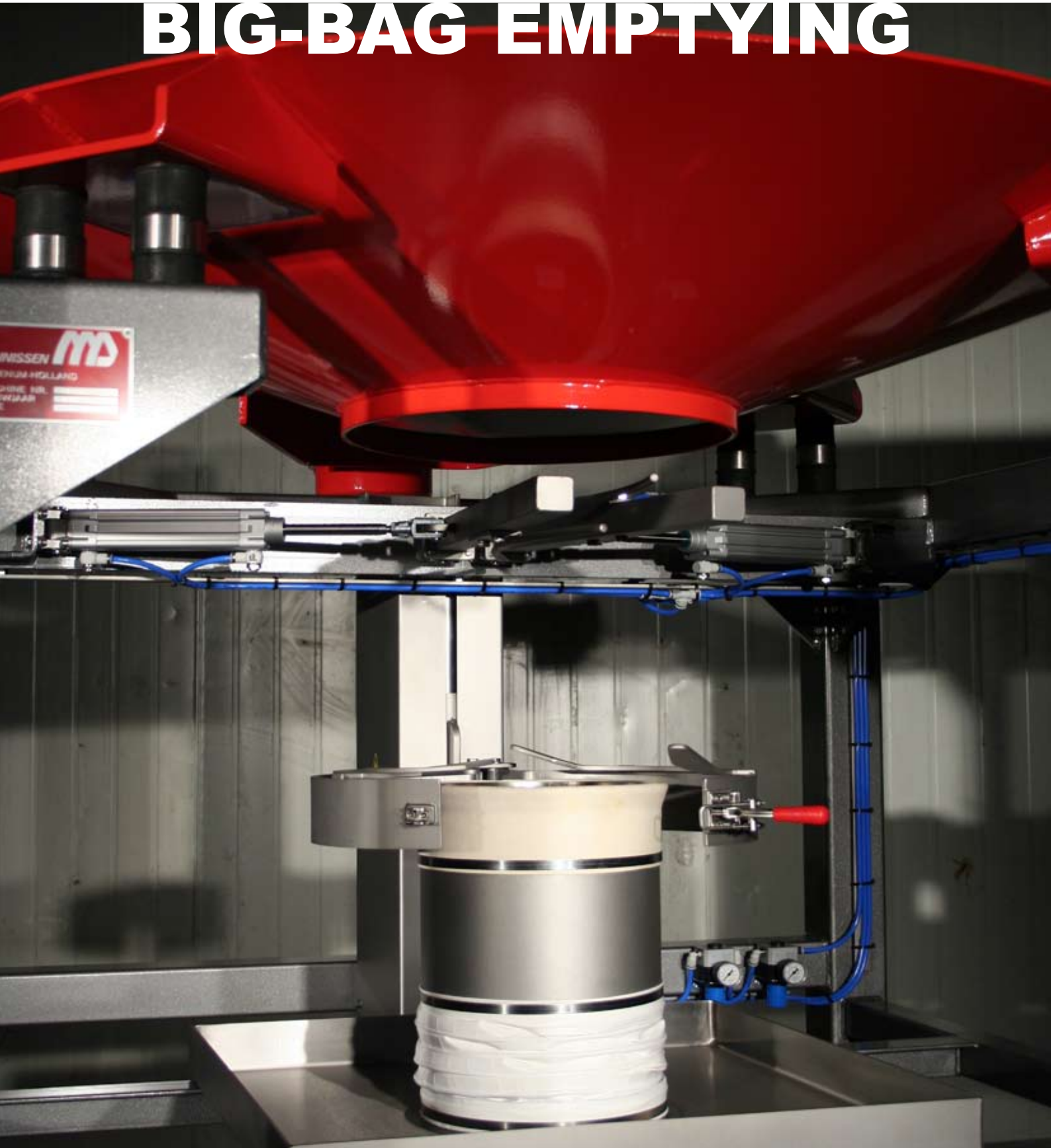


YOUR PROCESS...
...OUR CARE



PRODUCT INTAKE

BIG-BAG EMPTYING





Emptying Big Bags An essential link in your production process

Emptying Big Bags is an essential link in your production process, we give it the attention it deserves. So it is good to know that Dinnissen Process Technology can provide the right solution for every challenge related to the ergonomics of working with Big Bags, including dust free environments.



XS-4 mobile version



Big-Bag automatically pulled upwards



Big-Bag Emptying, with containment

Ergonomics: Working safely and efficiently

If you are focused on working efficiently, you know that small-scale solutions can often provide large benefits. That is also why we produce emptying stations tailor-made to your specific situation: mobile units, with separate or integrated hoist, with automatic loss-in-weight systems, "liner tensioner" systems, fast removal of bag straps and empty Big Bags etc. Our frame stretching system ensures

that the Big Bag is automatically pulled upwards in a controlled fashion during the emptying process, thereby avoiding the need for manual work by your operator and ensuring that the Big Bag does not come loose. The result: you save time and money. And it goes without saying that we devote the necessary attention to worker safety. Our Big Bag emptying stations are supplied with any desired safety and/or inspection certificate.



Inflatable seal ensures dust-free operation

Dust-free operation

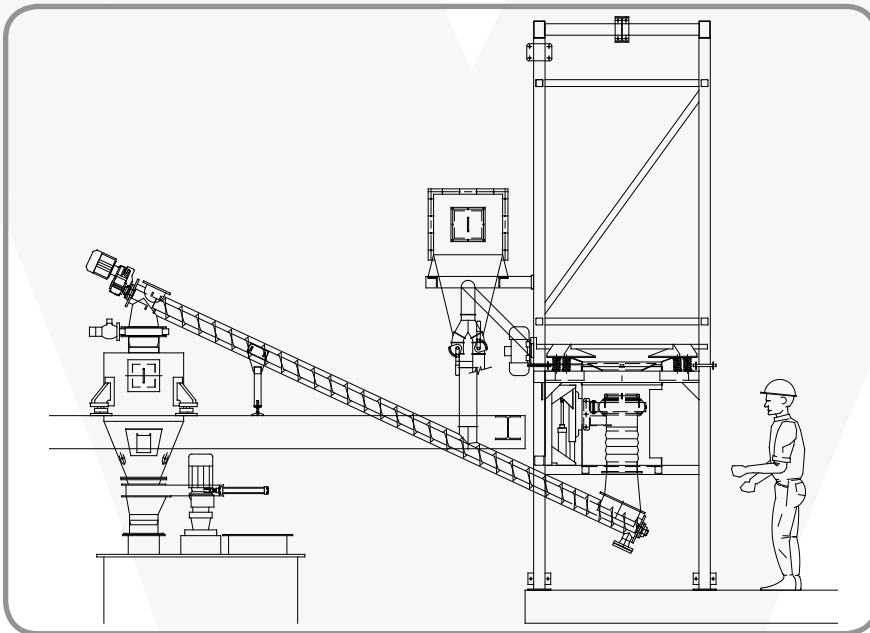
When we say empty, we mean really empty, if necessary down to (practically) the very last particle. The combination of the sophisticated vibrating base plate and the cone shaped funnel used in the Big Bag emptying station makes sure of that. Our special stretching system also ensures that the plastic inner liner is stretched smooth in a controlled fashion, so that even the most difficult products are removed from all nooks and crannies. And when necessary, our BS Vacu System will remove even the very last dust particles. This minimizes product loss and dust discharge during folding. In future all your Big Bags will leave the emptying station completely clean.



Clamping profiles for partly emptying Big-Bags

Testing facilities

Our D-innocenter® testing facility offers ample possibilities for developing new products or testing your existing products.



Quality assurance and extra hygiene

Regardless of whether your products are used in the food, feed, pharma or chemical industries, contamination always leads to undesirable effects on quality. By integrating a sieve system or a decontamination module into the emptying station, we can help you ensure that dust and dirt are safely removed right up until the moment that the emptying hose is connected. In addition, our tracking and tracing systems, e.g. using bar-code scanning, and the option of automatically halting the emptying process via Profibus or Ethernet guarantee the highest level of safety and security.

Total process solutions

Working safely with hazardous materials

Working safely with hazardous materials requires extra attention for people as well as the environment. We offer innovative solutions which allow you to work safely with such materials without any risk of dust and/or gas explosions - such as our inflatable cuff docking system for a dustproof connection to the emptying hose, hermetically sealing off all folds and creases.

The same is true of the dust-free environment and vacuum-assisted emptying of Big Bags via our BS Vacu System, which prevents any residues and/or discharge of dust when empty Big Bags are folded. Finally, we can also provide you with Big Bag emptying stations which are explosion-proof (in accordance with ATEX guidelines).

The entire process under control

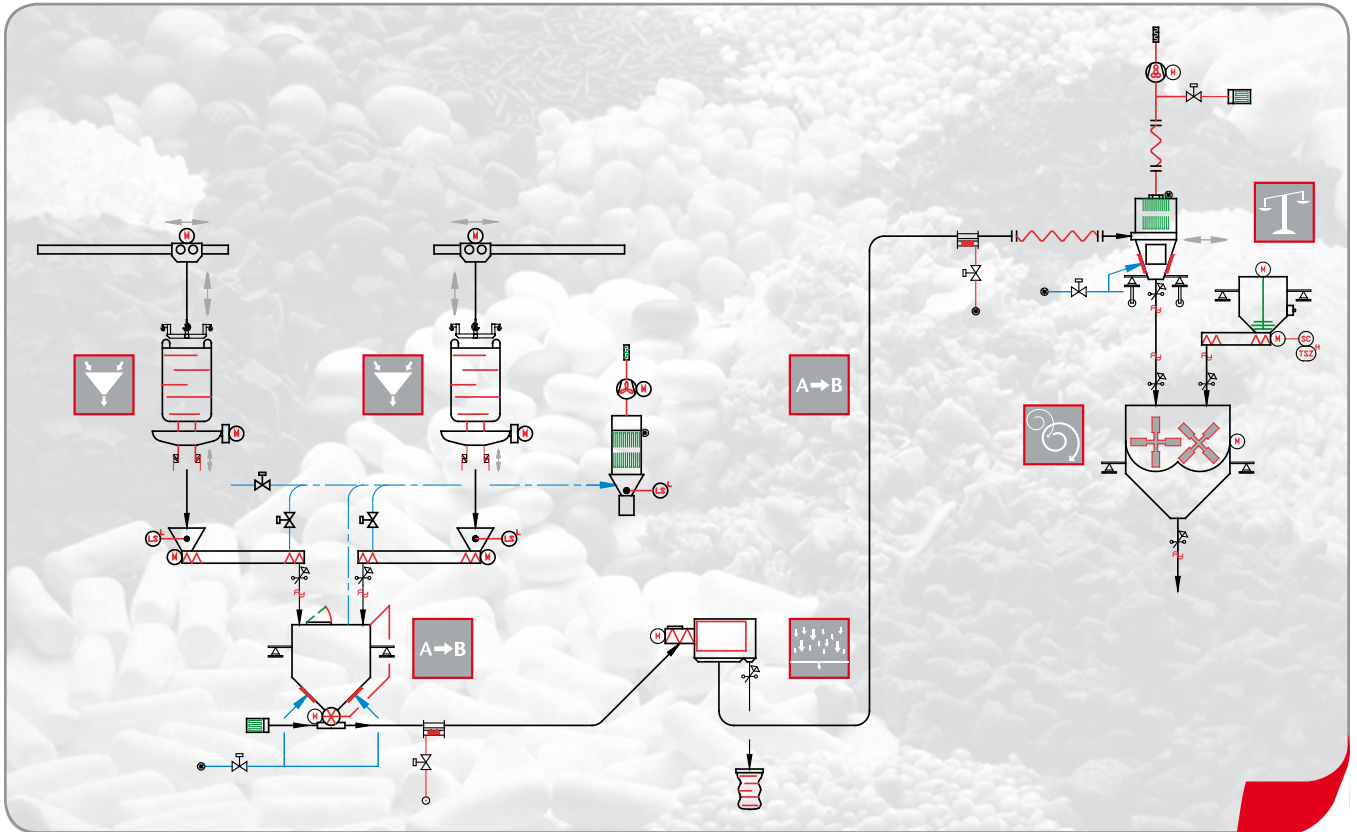
We can provide you with the right solution when it comes to transporting even the most difficult powders and accurately weighing, dosing, sieving, grinding, mixing and packaging various products. We design and develop our own in-house technology and have extensive manufacturing and service facilities.



Complete emptying system:
 - dehumidifier
 - pneumatic conveying
 - hoist stretching system

Video CD

Please ask for our free video CD-ROM with a demonstration of operating features



Total process with: feeding, pneumatic conveying, sifting, mixing etc.

Benefits

- Dust-free operation
- Focus on working safely and efficiently
- Empty down to the very last particle
- Tailor-made solutions for a wide range of products
- Extra hygiene-related applications
- Tracking and tracing systems
- Benchmarks and innovative solutions with regard to the risk of gas and dust explosions (ATEX guidelines)
- From emptying stations to complete process solutions
- In-house testing facilities
- Easy to clean

Options available

- Loss-in-weight system
- Stretching system for Big Bag (integrated stretching hoist)
- Stretching system for inner liner
- Clamping elements for discharge hose
- Vacuum-assisted emptying of Big Bag
- Discharge hose extends past sealing ring
- Cone-activated discharge
- Fluidization cone for refractory products
- Integrated bag discharge cabin
- Special knife for opening disposable Big Bags
- Viewing window with plastic gloves
- Automatic removal of support straps
- Decontamination module for secure supply connection
- Inflatable cuff for airtight connection to filling hose
- Mobile unit for flexible deployment

YOUR PROCESS...
...OUR CARE



PET FOOD	FOOD	RECYCLING
AQUA FEED	LIFE SCIENCE	MINERALS
FEED	PHARMACEUTICAL	DETERGENTS
CHEMICAL	PLASTICS	

Dinnissen BV

Horsterweg 66
5975 NB Sevenum, the Netherlands
Tel.: +31 (0)77 467 35 55
Fax: +31 (0)77 467 37 85
E-mail: powtech@dinnissen.nl
Website: www.dinnissen.nl