

LED Wall Mount Dimmer, 4 Zone , RF/WIFI



Feature

- Backlight
- Glass interface(White & Black)
- Touch sensitive
- Adjust brightness



Parameter

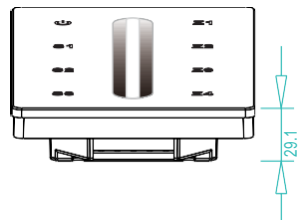
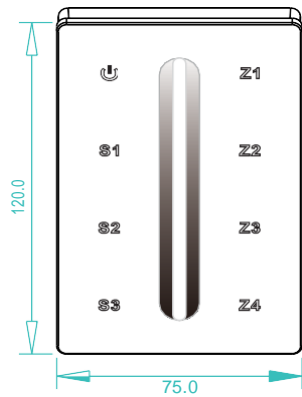
Remote

Operation Voltage	Operation Frequency	DIMENSIONS ø/h (mm)	Remarks
12-24VDC	434MHz/868MHz	120x75x29.1	Touch Sensor

Receiver

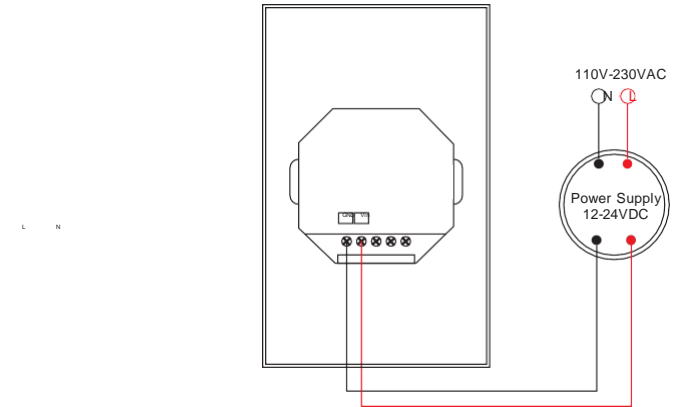
Input Voltage	Current	Output	Remarks
12-36VDC	4x5A	4x(96-288)W	Constant voltage

Product Size

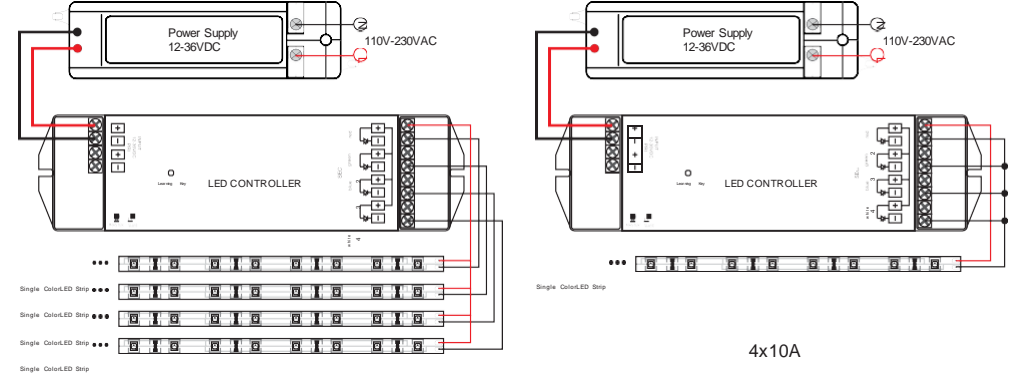


Wiring diagram

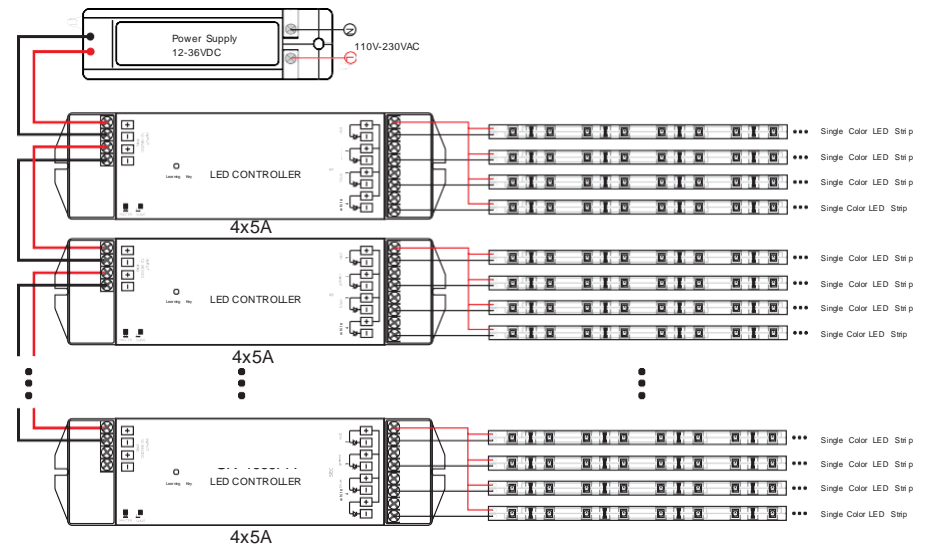
1) Sender Connection Diagram



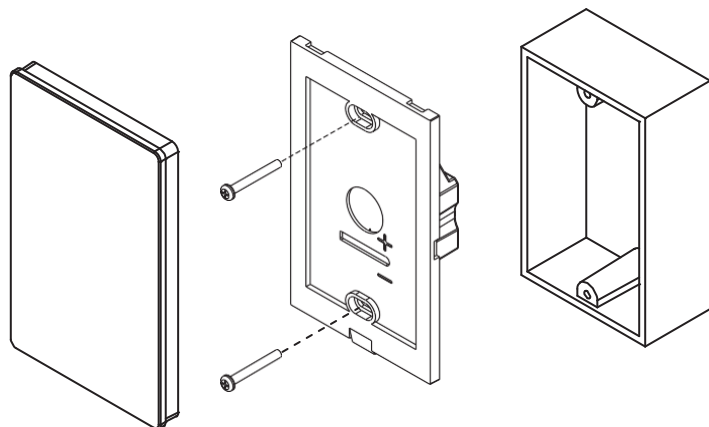
2) Receiver Connection Diagram for Single Unit



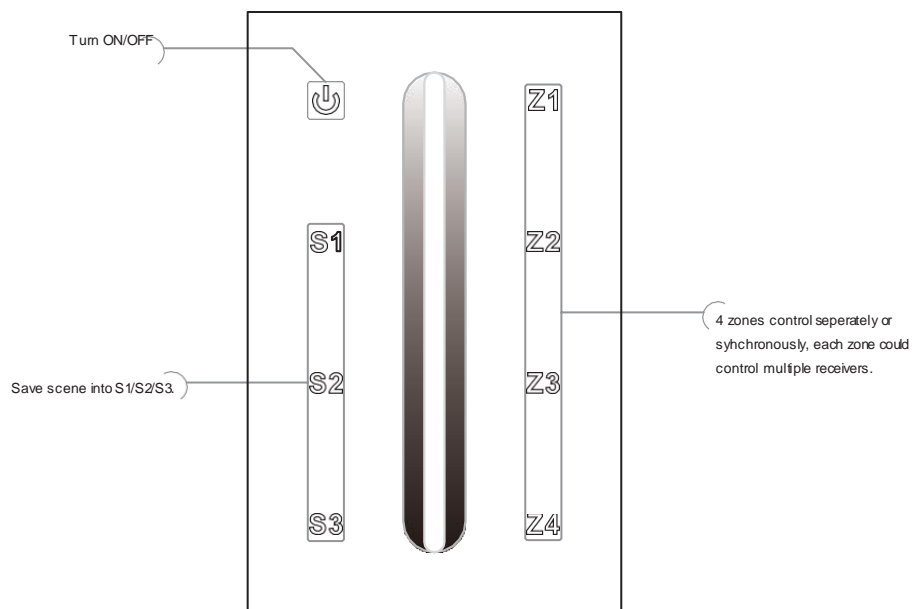
3) Receiver Connection Diagram for Multiple Units



Installation



Description of buttons



Operation

1. Learning ID with series:

Click learning button on RF receiver →

Short Touch a zone button Z1,Z2,Z3 or Z4 → Touch dimming slider The light flick means

ID learnt successfully.

Touch zone button Z1/Z2/Z3/Z4 separately over 2 seconds, which will turn ON/OFF separately.

The backlight blue is ON for the zone, yellow is OFF for the zone.

Notice : Each sender can control 4 different zones separately, each zone can be learned endless receivers, so one sender can control as many receivers as you can.

2. Save and replay

Save: Touch dimming slider to get a color→

Hold any button of S1,S2 or S3 over 2 seconds(4zones work together)
The light flick means successfully saved.

Replay: Short touch button S1,S2 or S3 →Replay the scene just saved.

Note:

- This controller is RF signal to receivers, no need cable.
- AC version no need driver, working directly at electric supply 100-230VAC.
- The DC version need a driver 12/24V.

Safety & Warnings

- 1) The product shall be installed and serviced by a qualified person.
- 2) IP20.Please avoid the sun and rain. When installed outdoors, please ensure it is mounted in a water proof enclosure.
- 3) Always be sure to mount this unit in an area with proper ventilation to avoid overheating.
- 4) Please check if the output voltage of any LED power supplies used comply with the working voltage of the product.
- 5) Never connect any cables while power is on and always assure correct connections to avoid short circuits before switching on.
- 6) Please ensure that the cable is secured tightly in the connector
- 7) For update information please consult your supplier.

Warranty Agreement

1) We provide lifelong technical assistance with this product:

- 2-year warranty . We print date on every products.The warranty is for free repair or replacement and covers manufacturing faults only .
- For faults beyond the 2-year warranty we reserve the right to charge for time and parts.

2) Limited Warranty

- Any defects caused by wrong operation.
- Any damages caused by unauthorized removal, maintenance, modifying, incorrect connection and replacement of chips.
- Any damages due to transportation, vibration etc. after purchase.
- Any damages caused by earthquake, fire, lightning, pollution and abnormal voltage.
- Any damages caused by negligence, inappropriate storing at high temperatures and humidity or near harmful chemicals.
- Product has been updated

3) Repair or replacement as provided under this warranty is the exclusive remedy to the customer.