

# LED Dimmer Remote , 4 Zone, RFWIFI



- Four zones/areas
- Press-button Dimmer
- Receivers work with WIFI-RF converter to be controlled by smart phone



## Parameter

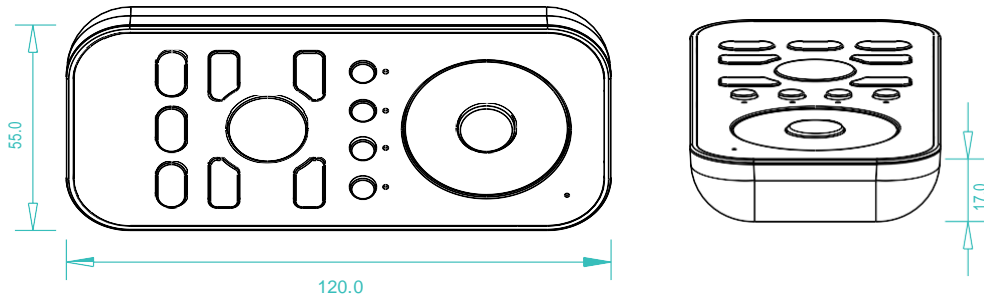
### Remote

Operation Voltage	Operation Frequency	DIMENSIONS ø/h (mm)	Remarks
3.6VDC	434MHz/868MHz	55x120x17	load 3pcs 7 AAA (1.5V) batteries

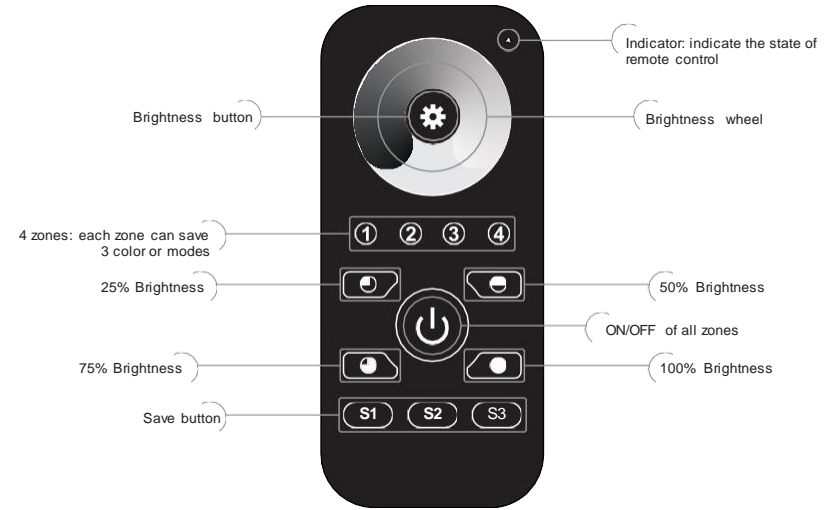
### Receiver

Input Voltage	Current	Output	Remarks
12-36VDC	4x8A	4x(96-288)W	Constant voltage

## Product Size

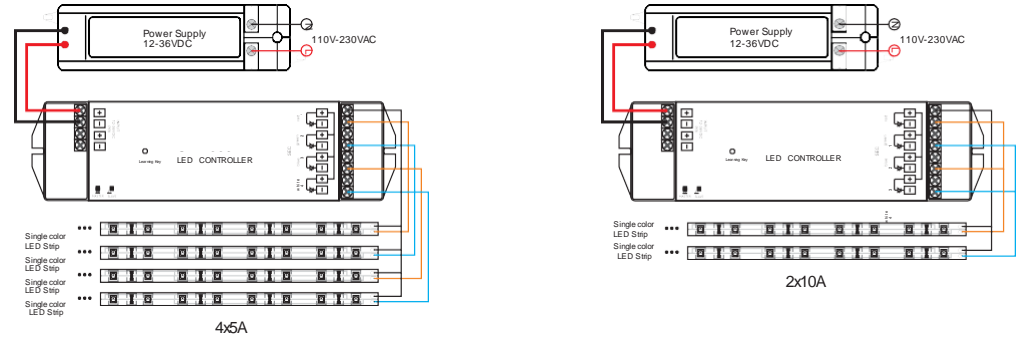


## Brief introduction of buttons

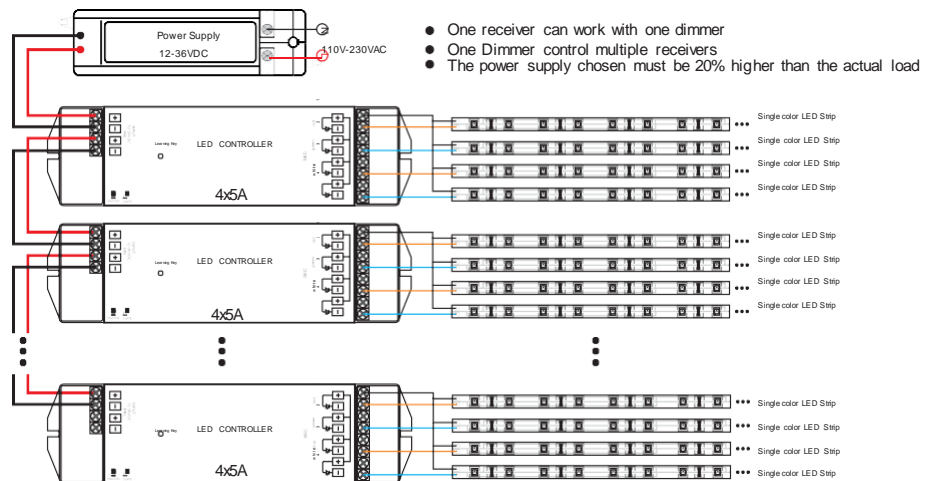


## Wiring diagram

### 1) Receiver Connection Diagram for Single Unit



### 2) Receiver Connection Diagram for Multiple Units



## Operation

### Learning (matching)

- Do wiring according to connection diagram
- Wake up the remote control by touching ON/OFF button.
- Press learning button on receiver.
- Touch any zone button on remote control.
- Then touch brightness wheel.
- Connected LED light will blink to confirm zone designation.
- Press at learning button on receiver over 5 seconds until LED light flash, then delete the learned ID.

**Note 1: To choose a master from slaves by jumper for each zone.**

**Short circuit for master.**


**Open circuit for slave.**

**Each zone only can set one master controller. After a period of time, the master will do synchronization operation to keep the same color or mode of all slaves in one zone.**


**Note 2: Each remote control 4 zones (areas) receivers, each area can be learned as many receivers as we can.**

**Each receiver maximally can be controlled by 8 different remote controllers.**

### Dim wheel

Choose zone number ① ② ③ ④, for example, ① and ③, then touch , choose the brightness you want, zone 1 and 3 will indicate corresponding brightness as we touched.

### Brightness Up & Down Button

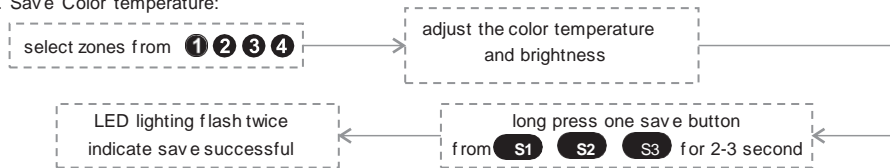
Long Press button  to dim down/up brightness, the dimming direction will change every time after pressing switch. For example, the first long press is brightness up, it will be dimmed down when long press again.

### Brightness level button

Select zone from ① ② ③ ④. Press , the corresponding zones will be 25% brightness. Press , the corresponding zones will be 50% brightness. Press , the corresponding zones will be 75% brightness. Press , the corresponding zones will be 100% brightness.

### Save and recall button

a. Save Color temperature:



b. Recall: select zone button which we want recall from ① ② ③ ④, then short press save button   

## Safety & Warnings

- The product shall be installed and serviced by a qualified person.
- IP20. Please avoid the sun and rain. When installed outdoors, please ensure it is mounted in a water proof enclosure.
- Always be sure to mount this unit in an area with proper ventilation to avoid overheating.
- Please check if the output voltage of any LED power supplies used comply with the working voltage of the product.
- Never connect any cables while power is on and always assure correct connections to avoid short circuits before switching on.
- Please ensure that the cable is secured tightly in the connector
- For update information please consult your supplier.

## Warranty Agreement

1) We provide lifelong technical assistance with this product:

- 2-year warranty. We print date on every products. The warranty is for free repair or replacement and covers manufacturing faults only.

- For faults beyond the 2-year warranty we reserve the right to charge for time and parts.

2) Limited Warranty

- Any defects caused by wrong operation.

- Any damages caused by unauthorized removal, maintenance, modifying, incorrect connection and replacement of chips.

- Any damages due to transportation, vibration etc. after purchase.

- Any damages caused by earthquake, fire, lightning, pollution and abnormal voltage.

- Any damages caused by negligence, inappropriate storing at high temperatures and humidity or near harmful chemicals.

- Product has been updated

3) Repair or replacement as provided under this warranty is the exclusive remedy to the customer.