



# Earth Leakage Relay Model i-AB

## Application

The Bramco Earth Leakage Relay i-AB, has been designed to detect Earth Fault Currents flowing in a power system.

### The i-AB Offers:

- Machine or power operated
- Latching/non-latching mode switch
- Fail safe or non-fail safe operation
- Adjustable time discrimination
- Adjustable trip current point
- LED indication of power on
- LED warning when the leakage current rises above the trip current set point
- LED indication when latched
- Current loop or voltage output 4-20mA or 2-10V
- Use with range of Bramco Earth Leakage toroids.

## Specifications

### Supply

- 110VAC 50/60Hz Standard
- 240VAC 50/60Hz Optional
- 24VAC or DC 50/60Hz Optional
- 48VDC 50/60Hz Optional

### Housing

- High impact Poly Carbonate

### Voltage Tolerances

- -30% to +20%

### Trip Current

Adjustable from 50 to 500mA  
Optional 1A, 2A and 5Amp

### Trip Delay

Adjustable from 30 to 500mS  
Optional 1secs, 2secs and 5secs

## Bramco Contacts

16 Aruma Place  
Cardiff, NSW 2285  
AUSTRALIA

Telephone +61 2 4014 4444  
Email [sales@bramco.com.au](mailto:sales@bramco.com.au)  
[www.bramco.com.au](http://www.bramco.com.au)

## Ordering Information

There are a variety of different Part Numbers for the i-AB Relay. Please contact Bramco to discuss your requirements.

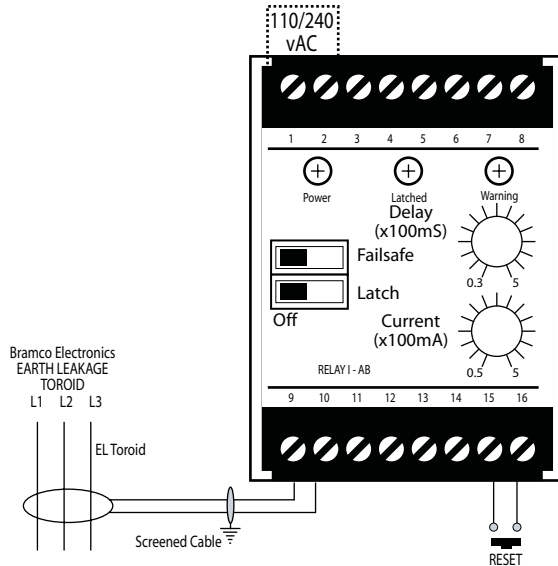
A00019A	500mA-500mS 110vAC
A00937A	500mA-500mS 240vAC
A00008A	500mA-500mS 24-48vAC/DC
A00270A	500mA-500mS 110VAC 4-20mA Output

A00571	100mA-100mS 110V
A00572	100mA-100mS 24v
A00752	30mA-100mS 110v (Non adjustable Trip)





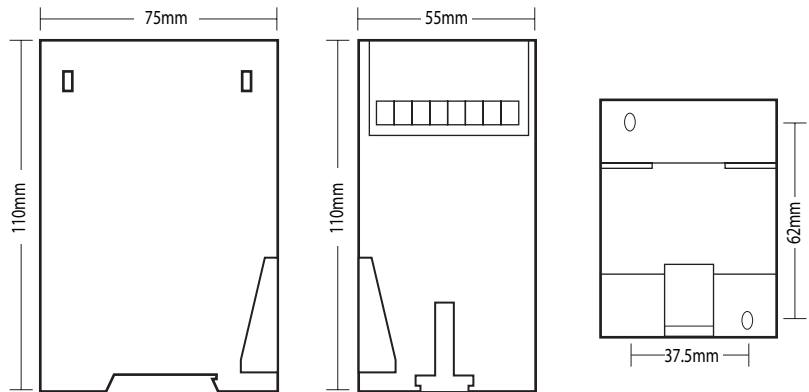
## Typical Installation



## Approvals/Conformances

N.S.W Mines MDA EXib 11317  
 QLD Mines QMD 947346X  
 AS 2081:2002.3-1988 Compliant  
 (both approvals for 500mA/500mSec only)

## Outline and Mounting Hole Dimensions



## Connection Details

