



ACCESS CONTROL PANEL
PM01ACP **Installation Manual**

smart access

Safety, Maintenance & Operational Information

Requirements

This manual is intended for trained and authorized installers of ProdataKey access control products. Access Control Panel requires Server Software 2.6.0 or higher and Rules Software 1.3.0 or higher. Later versions of this document will be posted to the ProdataKey website, as required. See other user manuals, also available on the ProdataKey website's Document Library. In this manual, ProdataKey and its door controllers are referred to as: the PDK products, single-door, eight-door, product, network door controller, single-door controller (SDC) eight-door controller (EDC), the appliance, and ACP.

Liability

Every care has been taken in the preparation of this document. Please inform ProdataKey Support of any inaccuracies or omissions. ProdataKey cannot be held responsible for any technical or typographical errors and reserves the right to make changes to the product and manuals without prior notice. ProdataKey makes no warranty of any kind with regard to the material contained within this document, including, but not limited to, the implied warranties of merchantability and fitness for a particular purpose. ProdataKey shall not be liable nor responsible for incidental or consequential damages in connection with the furnishing, performance or use of this material. This product is only to be used for its intended purpose.

Intellectual Property Rights

Patents Pending- ProdataKey has intellectual property rights relating to technology embodied in the product described in this document.

Equipment

This equipment must be installed and used in strict accordance with the instructions given in the user documentation. This equipment contains no user-serviceable components. Wiring methods shall be in accordance with the National Electrical Code, ANSI/NFPA 70. Unauthorized equipment changes or modifications will invalidate all applicable regulatory certifications and approvals.

Use only accessories that comply with technical specification of the product. These can be provided by ProdataKey or an approved third party. Use only spare parts provided by or recommended by ProdataKey.

After the system is installed and working properly, no further maintenance or testing is required.

Do not attempt to repair the product by yourself. Contact ProdataKey support or your ProdataKey authorized distributor for service matters.

Trademark Acknowledgments

ProdataKey, Prodata Key, prodatakey, PDK, Prodata, are registered trademarks or trademark applications of ProdataKey in various jurisdictions. All other company names and products are trademarks or registered trademarks of their respective companies. Permission to use, copy, modify, and distribute this software and its documentation for any purpose with or without fee is hereby granted, provided that the above copyright notice appears in all copies and that both the copyright notice and this permission notice appear in supporting documentation.

Regulatory Information

Electromagnetic Compatibility (EMC)

This equipment has been designed and tested to fulfill applicable standards for:

- Radio frequency emission when installed according to the instructions and used in its intended environment.
- Immunity to electrical and electromagnetic phenomena when installed according to the instructions and used in its intended environment.

Safety

This product complies with IEC/EN/UL 60950-1, Safety of Information Technology Equipment. If you're connecting cables are routed outdoors, the product shall be grounded either through a shielded network cable (STP) or other appropriate method. The power supply used with this product shall fulfill the requirements for Safety Extra Low Voltage (SELV) and Limited Power Source (LPS) according to IEC/EN/UL 60950-1.

Disposal and Recycling

When this product has reached the end of its useful life, dispose of it according to local laws and regulations. For information about your nearest designated collection point, contact your local authority responsible for waste disposal. In accordance with local legislation, penalties may be applicable for incorrect disposal of this waste.

Supported Readers

Door controllers accept standard 26bit Wiegand data input from approved readers.

ProdataKey reader part numbers PP-08-RDR-M, PP-08-RDR-G and PP-08-RDR-KP have been verified by ETL. See the Readers data sheet available at www.prodatakey.com > Support > Documentation Library.

Support

Should you require any technical assistance, please contact the ProdataKey support staff. Your questions and queries will be addressed as immediately as possible. You can research questions and queries from the ProdataKey website:

- Download user documentation and software updates from the partner portal
- Find answers to resolved problems in the FAQ and forum
- Report problems to ProdataKey support staff by logging in to the partner portal on the ProdataKey website
- Chat with ProdataKey support staff (North America only)
- Visit ProdataKey Support at www.prodatakey.com/support/

Learn More!

Visit ProdataKey learning center www.prodata.com/support/ for useful trainings, webinars, tutorials and documents.

Contact Information

ProdataKey, LLC.
10702 S 300 W Suite 105
South Jordan, Utah 84095
United States


P 801.317.8802
T 800.218.0283
F 801.317.8802

www.prodatakey.com

Safety Information

This guide has been prepared to help you install the product. Read through the installation instructions carefully before installing the product. Keep the guide for future installation and maintenance reference.

Safety and Message Level Types

CAUTION		Indicates a hazardous situation which, if not avoided, could result in minor or moderate injury.
NOTICE		Indicates a situation which, if not avoided, could result in damage to property.
IMPORTANT		Indicates significant information which is essential for the product to function correctly.
NOTE		Indicates useful information which helps in getting the most out of the product.

Safety & Operations Notifications

NOTICE

- *The ProdataKey Access Control Panel is intended for Indoor use only.*
- *The ProdataKey product shall be installed by a trained professional.*
- *The ProdataKey product shall be used in compliance with local laws and regulations.*
- *The ProdataKey product shall be installed within a secured area.*
- *Mount this product in a dry and ventilated environment.*
 - *To provide the best conditions and proper operation of the product, the controller must be securely mounted in accordance with the installation instructions.*
 - *Do not install the door controller box on unstable brackets, surfaces or walls.*
 - *Use only applicable tools when installing the ProdataKey product. Using excessive force mounting the product could cause damage.*
- *Avoid exposing ProdataKey product to shocks or heavy pressure.*
- *Do not use chemicals, caustic agents, or aerosol cleaners to clean the product. Use a clean cloth dampened with pure water for cleaning the exterior of the enclosure.*
- *Use only accessories that comply with technical specification of the product. These can be provided by ProdataKey or a ProdataKey authorized third party vendor.*
- *Use 18 gauge, stranded, wiring. Wiring methods shall be in accordance with the National Electrical Code, ANSI/NFPA 70.*

- *Use only spare parts provided by or recommended by ProdataKey support or a product reseller.*
- *Do not attempt to repair the product by yourself. Contact ProdataKey support or your ProdataKey authorized distributor for service matters.*
- *Use a lock to ensure a secure enclosure and prevent tampering.*
- *Protect the power cord, Ethernet cable, and transformer wires from being walked on or pinched, particularly where they exit the can.*

Battery

USE 12VDC 5Ah or 8Ah LEAD-ACID BATTERY, WITH A RECOMMENDED BATTERY SIZE NOT TO EXCEED 4" (D) x 4" (W) x 7.5" (H).

Using a battery that meets following specifications will provide at least 30 minutes of backup power in the event of an AC loss:

Recommended Battery Type: 12VDC 5Ah or 8Ah Lead-Acid Battery

Recommended Battery Size: 3.75" (depth) x 2.5" (width) x 6" (height)

Max Battery Pocket Dimensions: 4" (depth) x 4" (width) x 7.5" (height)

NOTE: The maximum battery weight on the ACP is 3lbs.

ADDITIONAL BATTERY ENCLOSURE

The addition of an extra enclosure installed next to this enclosure is an option as long as the additional battery is connected with conduit and proper battery terminal end connectors.

BATTERY MAINTENANCE, REPLACEMENT & DISPOSAL

Check the battery regularly and replace only with an identical battery or battery recommended by ProdataKey. Risk of explosion if the battery is incorrectly replaced. Dispose of used batteries according to local regulations or the battery manufacturer's instructions.

Warning

There is risk of a battery explosion if the battery is incorrectly replaced. Check the battery regularly and replace only with an identical battery or a battery recommended by ProdataKey. Dispose of used batteries according to local regulations or the battery manufacturer's instructions.

Power Supply

The following products and parts are required for the proper operation of the Access Control Panel, but are not included in the panel box and are thus the responsibility of the installer/dealer:

AC INPUT

AC IN: CONNECT A LISTED CLASS 2 SURGE PROTECTED 16.5 VAC 40VA TRANSFORMER TO THE AC INPUT TERMINALS ON ACCESS CONTROL APPLIANCE POWER SUPPLY. THIS CONNECTION IS NOT POLARITY SENSITIVE. DO NOT CONNECT ANY OTHER DEVICES TO THE TRANSFORMER.



PRODATAKEY HIGHLY RECOMMENDS USING AN ELK TRG-1640 TRANSFORMER.

DC OUTPUT

1.5AMP 12VDC POWER SUPPLY INCLUDED WITH BACKUP BATTERY CHARGING CIRCUIT. TOTAL POWER DRAW NOT TO EXCEED 1.5AMP 12VDC. DO NOT CONNECT ANY OTHER EQUIPMENT OR TAMPER WITH THIS CONNECTION.

BACKUP BATTERY

MUST USE BACKUP BATTERY TO PREVENT SYSTEM FAILURE IN THE EVENT OF AN AC LOSS. USE 12VDC 5AH or 8AH RECHARGEABLE LEAD-ACID BATTERY. BATTERY MUST MEET SPECIFICATIONS AS OUTLINED ON PAGE 5.

Installation Guide

This Installation Guide provides instructions for installing ProdataKey Access Control Panel, PM-01-ACP. For additional information on this product, refer to www.prodatakey.com > Support > Documentation Library.

Package Contents

Access Control Panel (1)	4-in-1 screwdriver
Antenna (1)	QuickStart Guide (1)
Enclosure Lock & Key (1)	

Access Control Panel includes power supply, and wireless or Ethernet communication module pre-mounted in the enclosure.

Recommended Tools

- Drill
- Screwdriver
- Slotted screwdriver
- Anchor screws (4)
- Screws (4)
- Wire stripping tool

Additional Listed System Components

Single Door Controller (SDC)	Run controls for a single door, with all the expected connections for Reader (In/Out), DPS, REX and more. <i>PN: PM07SDC-wimac™ WIRELESS / Ethernet: PM07SDC-ETHERNET</i>
Eight Door Controller (SDC)	Run controls for multiple doors and/or build a larger network; also used for legacy system change out <i>PN: PM07EDC-wimac™ WIRELESS / Ethernet: PM07EDC-ETHERNET</i>
Proximity Reader	Must be UL294 listed.
Proximity Credentials	Must be UL294 listed.
Electronic Locking Hardware	Must be UL1034 listed.

For information about other products and services, see www.prodatakey.com/Products

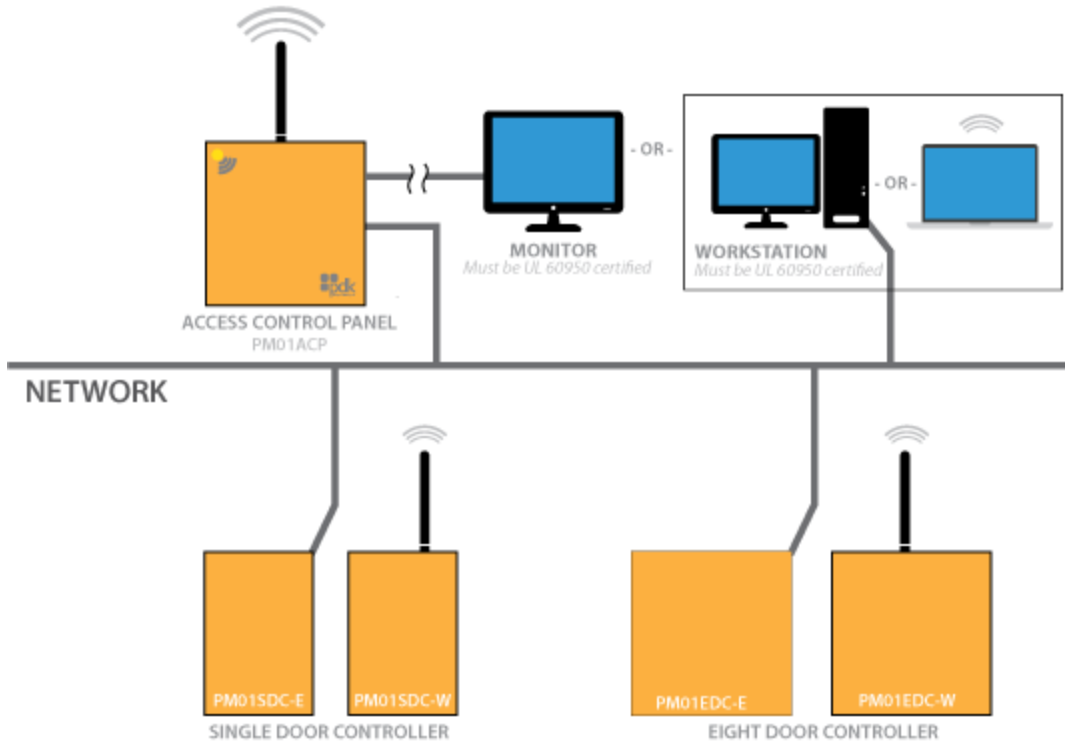


Figure 1: Network System Diagram

Note 1: For the Monitor or Workstation, must be UL 60950 certified.

Note 2: For the Monitor or Workstation, they must be connected to the network in order to supervise the system.

Mounting Instructions

Before you begin the installation, read all instructions. Make sure you have read and understood the Installation and Setup Safety and Operational Notes published in the System Notes on page 5.

Note: Ideal control panel mounting meets these conditions:

- 1: For best results be sure the ACP is mounted approximately head high or higher.*
- 2: ACP is installed in an environmentally-controlled, and secure area. **Ensure that controller antenna is free from obstructions, metal objects or power cables that my cause wireless interference.***

Cautionary Notes

- 1: DO NOT mount the product while power is applied to the power supply. Always apply power at the end of the installation.*
- 2: Disconnect power before connecting or working with the ProdataKey product. Never make connections while power is applied to the product.*

These instructions for mounting the access control panel allows you to easily fasten the can to the wall securely and properly.

1. Make sure you have the package contents, tools and other materials necessary for the installation on an appropriate surface (drywall, wood, stone, etc.) See page 7.
2. Pre-drill holes into the wall and place the anchors in the pre-drilled holes.
3. Place the can in position to the holes fitted with screw anchors.
4. Secure the control panel box to the wall with screws so the box is snug against the wall. See Figure 2.
5. Add the 12VDC/5amp hour or 8 amp hour battery, attaching the wires from the battery to the power supply board, BAT terminal.
6. Connect a listed Class 2 surge protected 16.5 VAC 40VA transformer to the AC input terminals on the included power supply. This connection is NOT polarity sensitive. DO NOT connect any other devices to the transformer. See Power Supply Setup on page 13.
7. Attach the antenna to the RPSMA connector on top of the enclosure. See Antenna Mounting best practices on page 11.
8. Attach the RJ45 cable from the building network to the RJ45 control panel network port.

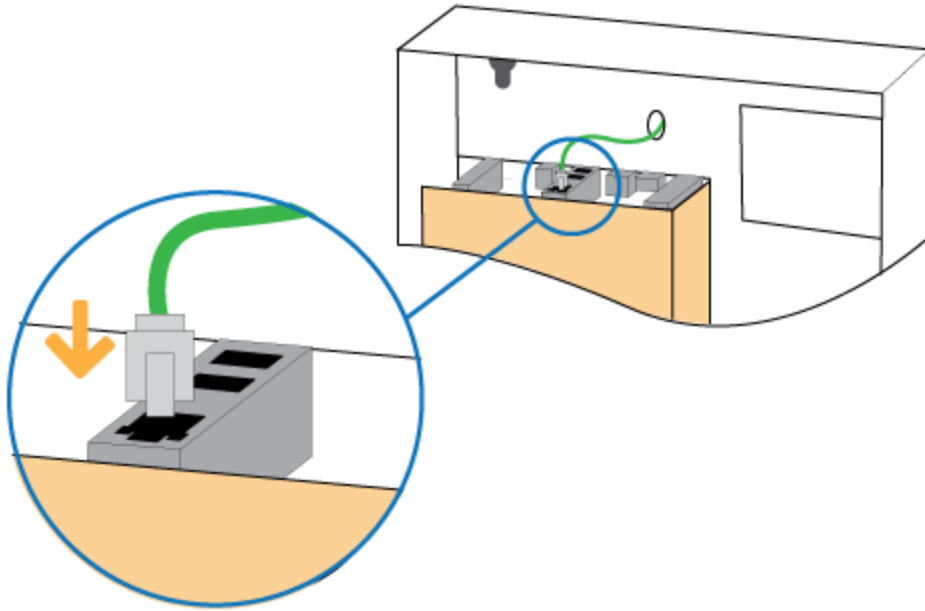


Figure 2: RJ45 Cable Connection to ACP

9. Login using one of these three methods:

1. **LogMeIn** - Each ACP is enabled with LogMeIn for remote programming and administration. To gain remote access to the ACP follow the simple registration steps at www.prodatakey.com select Support and Register Product. Access will be available through PC, MAC, iPhone, iPad, and Android devices.
2. **NETWORK RDP** - Connect to the ACP (as long as it is connected to the network) by plugging your laptop or computer into that same network. Once connected go to Remote Desktop on your PC or MAC and type in the ACP's Serial Number or the IP Address. Use the default User Name: ProdataKey Password: P@ssword
3. **DIRECT RDP** - Connect to the ACP directly to your PC or Laptop with a patch cable (Must be Windows 7 or Later). Once connected go to Remote Desktop on your PC or Laptop and type in the ACP's Serial Number or the IP Address. Use the default User Name: ProdataKey Password: P@ssword

10. Go to the Smart Access Programming Manual, located in the Partner Portal.

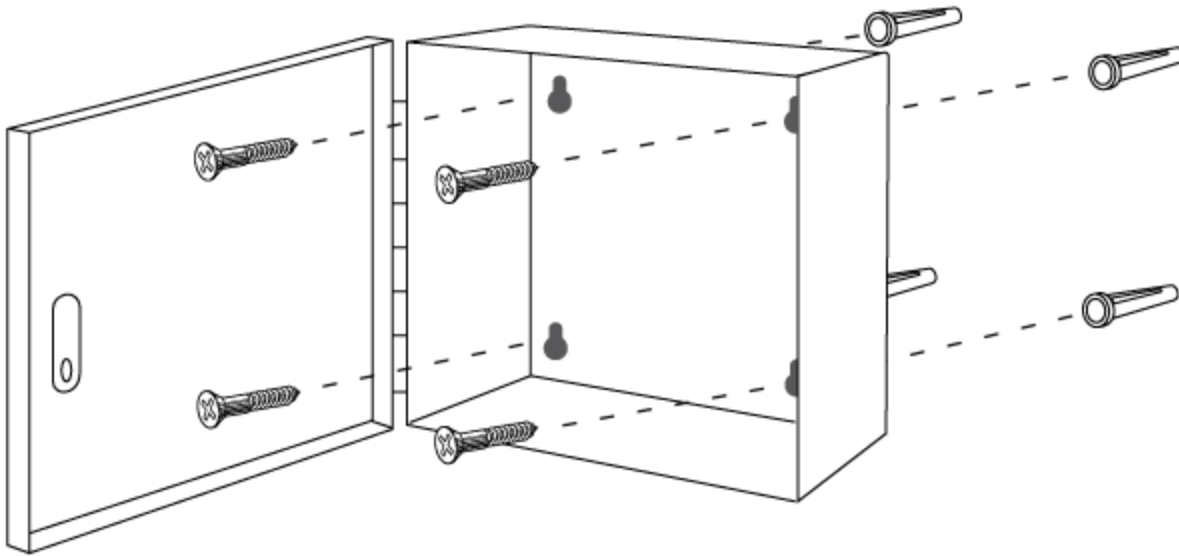


Figure 3: Wall Mount

Antenna Mounting: Best Practices

- *The wireless reach of the antenna spreads out in a horizontal, donut-like pattern. Consider the strength and reach of the wireless signal. The antenna's signal strength has one mile line of sight, or an average of 450 feet indoors, depending on building construction type.*
- *Mount the controller horizontally, point the antenna straight upward.*
- *Be mindful of the building's construction in which you are installing the product. Having the antenna surrounded by metal or near high voltage can impair signal strength.*

SDC Components

Legend for Access Control Panel

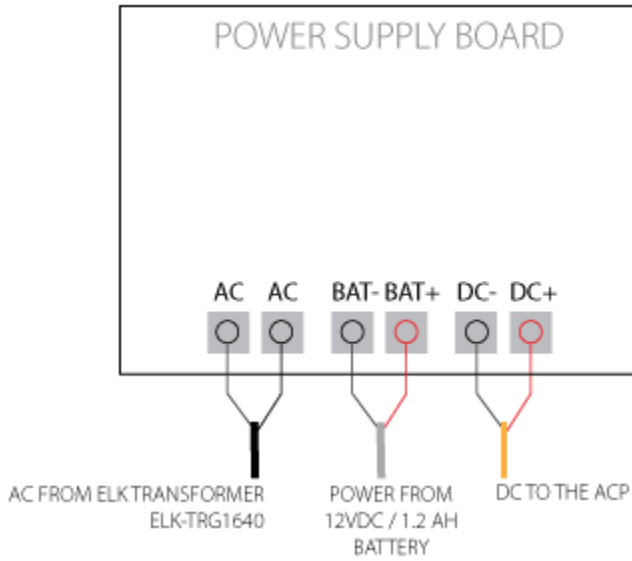


Figure 4: ACP Board Legend

Power Supply Setup

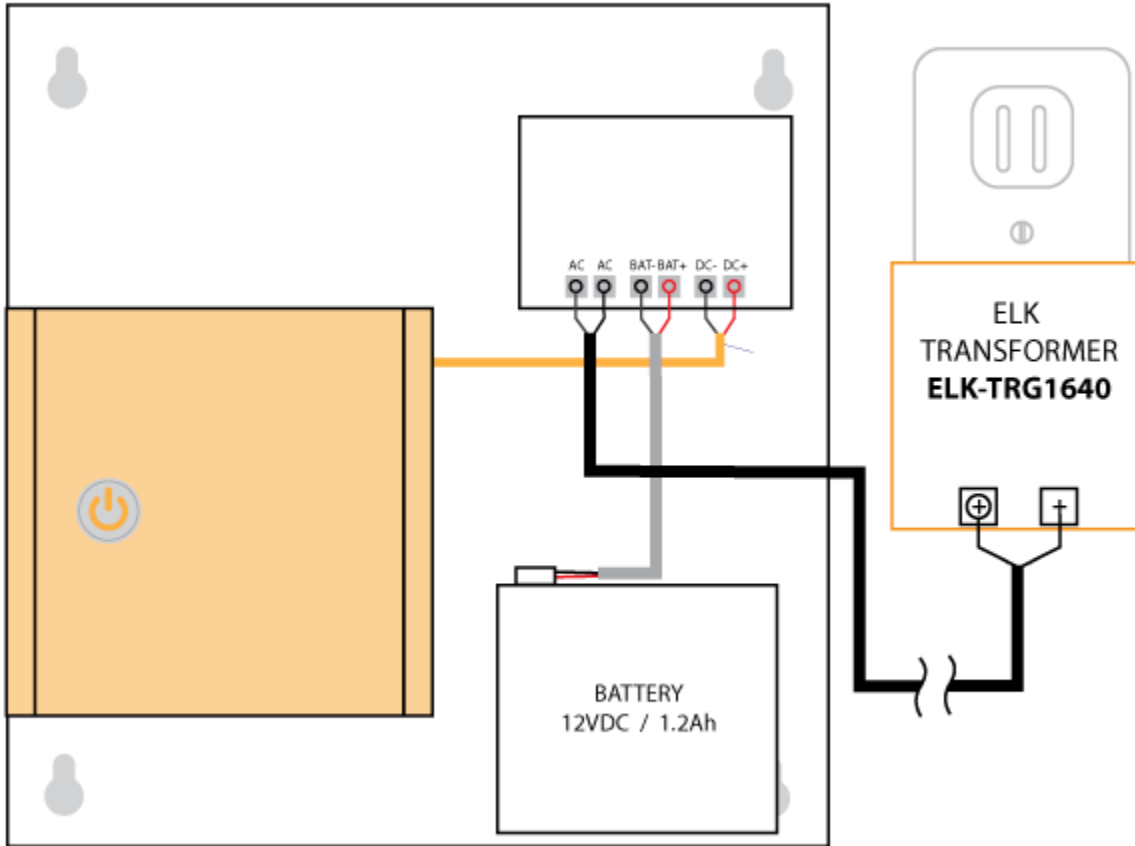


Figure 5: ACP Power Supply Diagram

Connection Instructions:

Connect a listed Class 2 surge protected 16.5 VAC 40VA transformer to the AC input terminals on the included power supply. This connection is NOT polarity sensitive. DO NOT connect any other devices to the transformer.

NOTE 1: For ETL to UL 294 certified installations all cable runs to Access Control Panel must be less than 30 meters (98.5').

NOTE 2: When batteries are not used, a loss of AC will result in a loss of output voltage.

LED DIAGNOSTICS		
Red (DC)	Green (AC)	Power Supply Status
●	●	Normal operating condition.
●	OFF	Loss of AC, Stand-by battery supplying power.
OFF	●	No DC output. Short circuit or thermal overload condition.
OFF	OFF	No DC output. Loss of AC. Discharged or no battery present.

Technical Support & Sales

Hardware / Software Install - Trouble tickets - Troubleshooting, Return Material Authorization



P: 801.317.8802
sales@prodatakey.com



P: 1.801.317.8802
support@prodatakey.com

Copyright

© 2015 ProdataKey, LLC. All rights reserved. ProdataKey, the ProdataKey logo, and other ProdataKey marks are owned by Prodata Key, LLC and may be registered. All other trademarks are the property of their respective owners. ProdataKey assumes no responsibility for any errors that may appear in this manual. Information contained herein is subject to change without notice.

Installation Guide ProdataKey Access Control Appliance © 2015 Prodata Key, LLC.	Ver. 002 Date: Sept. 2015 Part No. PM-01-ACP-IM-002
---	---