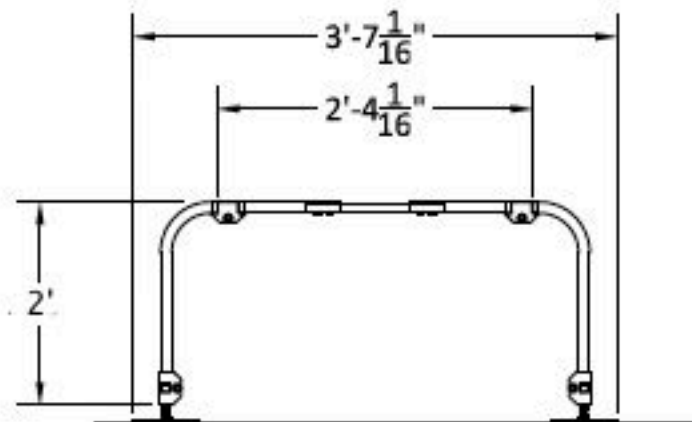
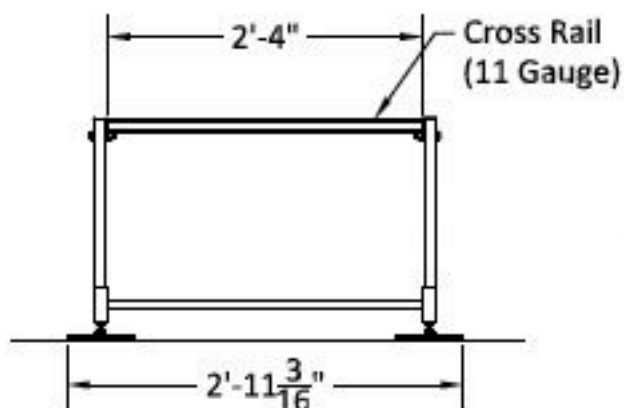


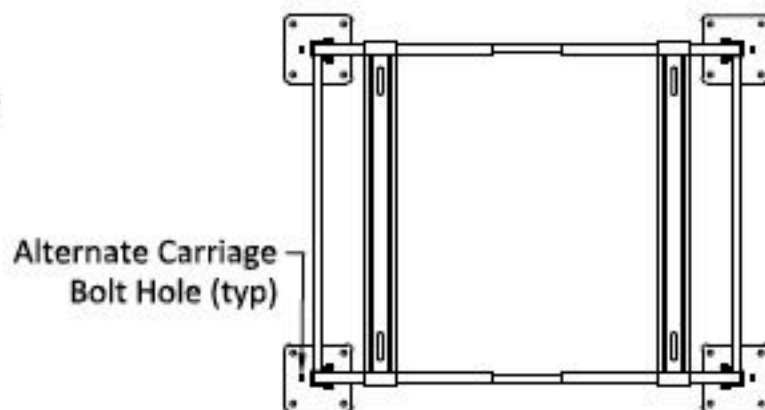
Side View - Retracted



Side View - Expanded



End View - Fixed



Plan View - Expanded

**QUICK-SLING**

**ASSEMBLY DRAWING**  
 "MINI-SPLIT 24"  
 ADJUSTABLE STAND - WIDE  
 MODEL NO. QSMS2402

www.quick-sling.com  
 email: info@quick-sling.com  
 fax: 1-(800)-699-0423

Quick Sling, LLC  
 391 W. Water Street  
 Taunton, MA 02780  
 1-(800)-699-0543