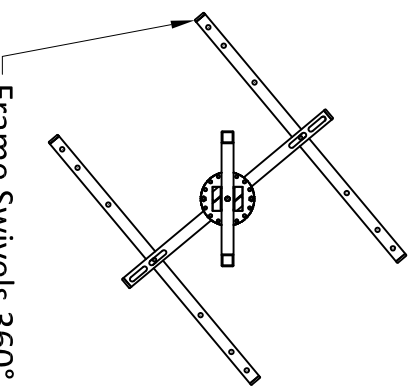
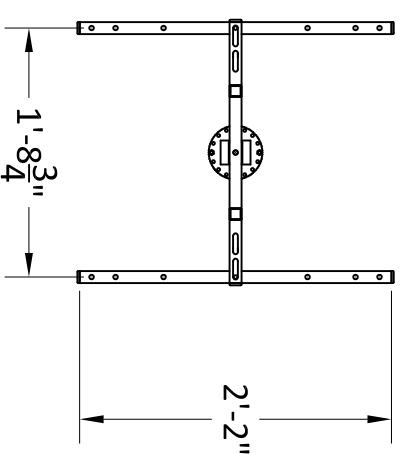
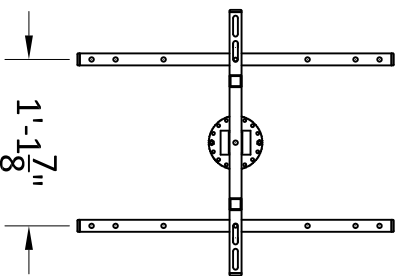
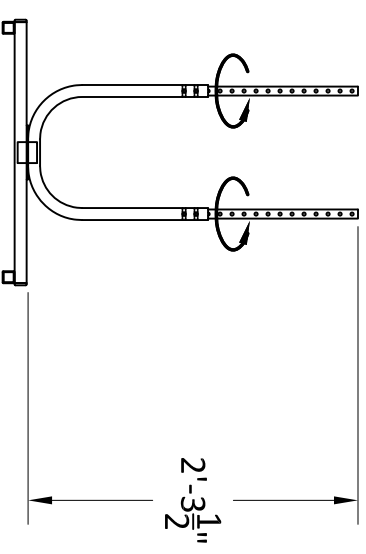
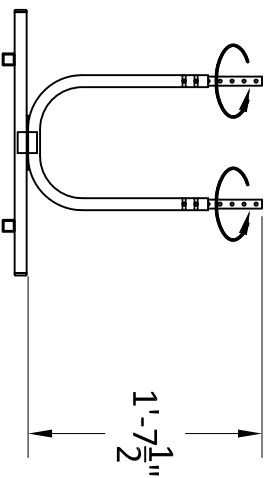


(*) - Hanger arms individually adjustable
in 1" increments and can be rotated 90°.



Frame Swivels 360°
and Locks into Position

FULLY RETRACTED

FULLY EXPANDED



QUICK-SLING SWIVEL
MODEL NO. QSW11000
H - BRACKET
ASSEMBLY DRAWING

www.quick-sling.com
email: info@quick-sling.com
fax: 1-(800)-699-0423

Quick Sling, LLC
391 W. Water Street
Taunton, MA 02780
1-(800)-699-0453