



Farabaugh Engineering and Testing Inc.

Project No. T317-15

Report Date: December 14, 2015

Total No. of Pages: 5

PERFORMANCE TEST REPORT

ASTM E72-02 CONCENTRATED OUTWARD LOAD TEST (MODIFIED)

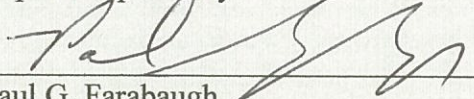
ON

QUICK SLING WALL BRACKET

FOR

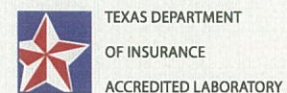
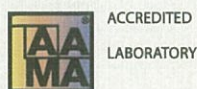
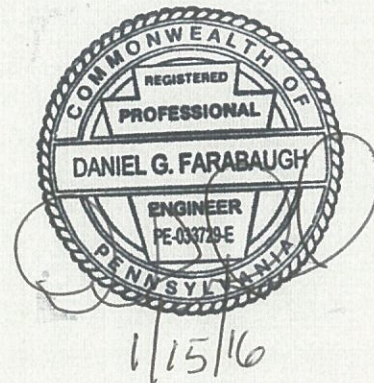
QUICK SLING, LLC
391 W. WATER STREET
TAUTON, MA. 02780

Report Prepared By:


Paul G. Farabaugh

Reviewed and Approved By:


Daniel G. Farabaugh PE.



Project No. T317-15

Introduction

Concentrated load test was conducted at the specified date at Farabaugh Engineering and Testing facility in McKeesport, PA. A description and summary of that test are contained here-in.

Purpose

The purpose of the testing was to determine the structural performance of the Wall Bracket System under concentrated outward loads.

Manufacturer

Quick Sling, LLC
391 W. Water Street
Tauton, MA. 02780

Specimen: Wall Bracket (Model - QSWB2000)

Test Date: 12/11/2015

Test Assembly

The test assembly was as shown on the attached sketches. Bracket was mounted to 1/4" thick steel angles using 3/8" diameter bolts. Information on the test conducted in this report may be found on the attached data sheets.

Test Procedure

The test procedure was per ASTM E72-02 "Standard Test Methods of Conducting Strength Tests of Panels for Building Construction", Concentrated Load (modified as provided here-in). A pneumatic ram provided loading to the test assembly. A calibrated load cell was used to monitor the loading increments. Deflectometers were used to measure the deflection of the specimens as shown on the attached drawings. Test loads were applied incrementally while deflection data was recorded as shown on the attached data sheets.

Project No. T317-15

TEST DATA

Test Date: 12-11-15

Manufacturer: Quick Sling LLC

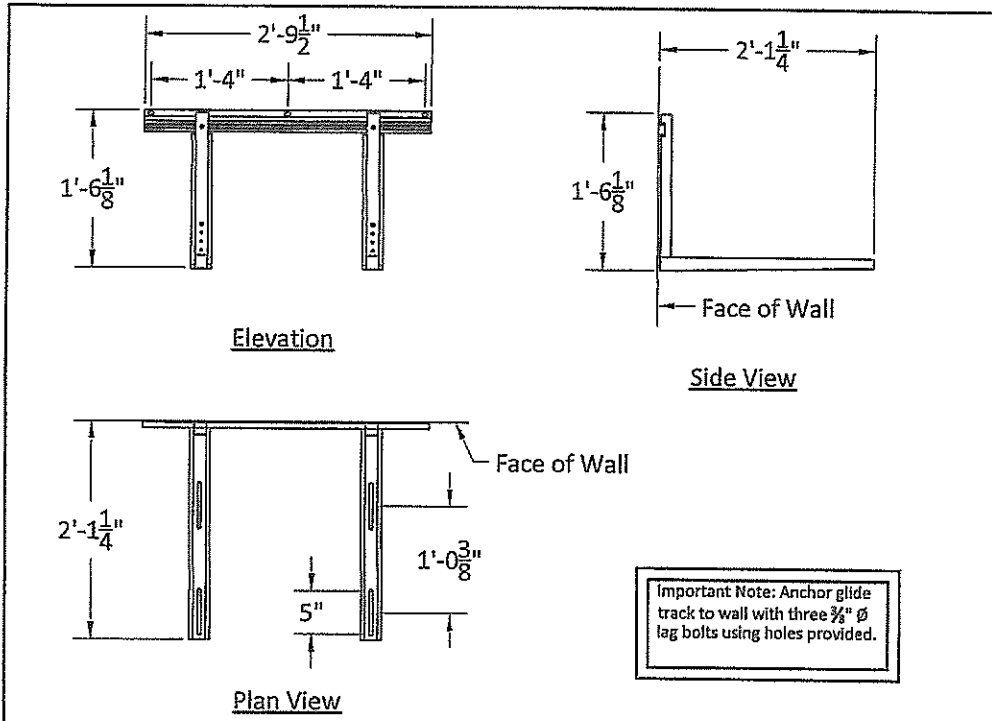
Test Specimen: Wall Bracket (Model: QSWB2000)

TEST RESULTS

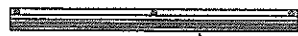
100 LB DEAD LOAD WITH INCREMENTAL OUTWARD LOAD

QUICK SLING WALL BRACKET MODEL NO. QSWB2000

P - LOAD (LB)	DIAL 1	DIAL 2
0	0.000	0.000
100	0.007	0.015
200	0.019	0.039
400	0.051	0.092
600	0.073	0.141
800	0.090	0.182
1000	0.108	0.220
1500	0.142	0.306
0	0.045	0.065
1800	0.158	0.347
2000	0.169	0.376
2500	0.195	0.447
3000	0.223	0.519
0	0.053	0.083
3500	0.252	0.597
4000	0.298	0.700
4500	0.366	0.864
0	0.111	0.206

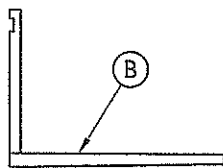


PARTS LIST



(A)

(A) (1) - 14 gauge Glide Track



(B)

(B) (2) - 14 gauge L-Bar

Note - All assembly hardware is included

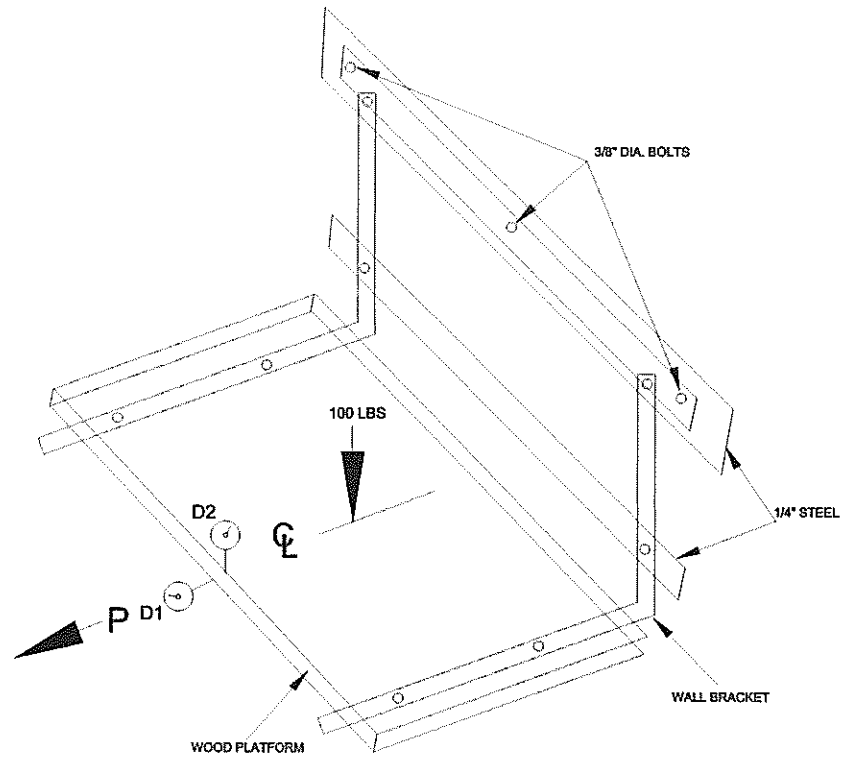
QUICK-SLING

WALL BRACKET
MODEL NO. QSWB2000

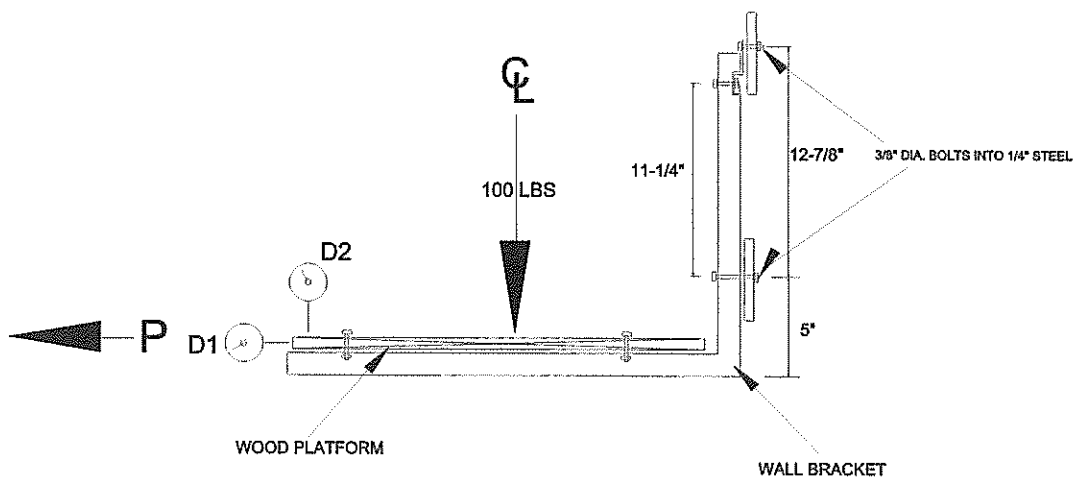
www.quick-sling.com
email: info@quick-sling.com
fax: 1-(800)-699-0423

Quick Sling, LLC
391 W. Water Street
Taunton, MA 02780
1-(800)-699-0543

Project No. T317-15



PLAN VIEW



ELEV. VIEW