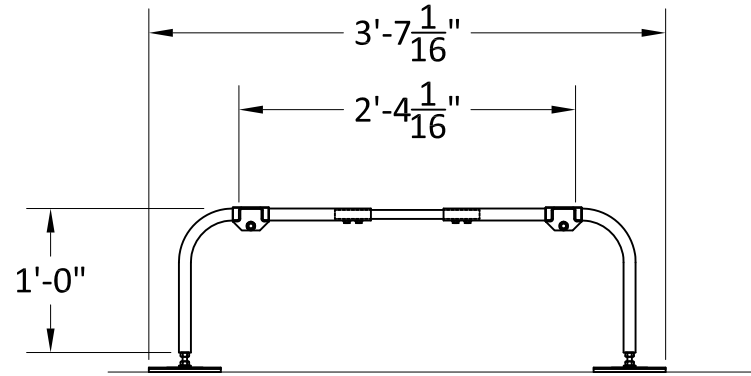
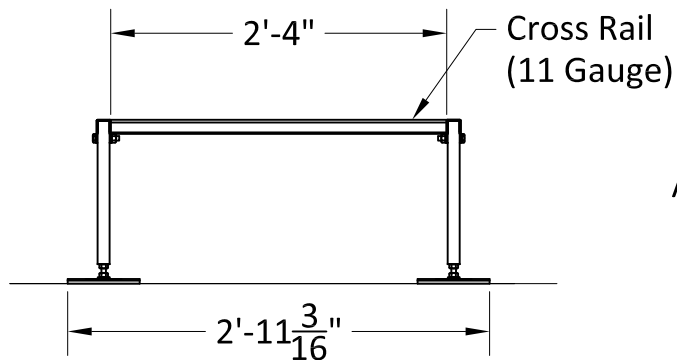


Side View - Retracted

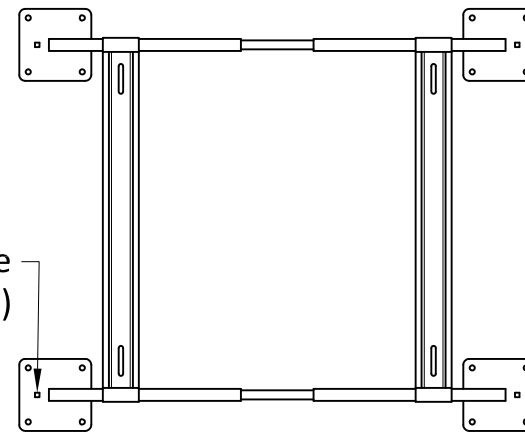


Side View - Expanded



End View - Fixed

Alternate Carriage Bolt Hole (typ)



Plan View - Expanded



ASSEMBLY DRAWING
"MINI-SPLIT 12"
ADJUSTABLE STAND - WIDE
MODEL NO. QSMS1202

www.quick-sling.com
 email: info@quick-sling.com
 fax: 1-(800)-699-0423

Quick Sling, LLC
 391 W. Water Street
 Taunton, MA 02780
 1-(800)-699-0543