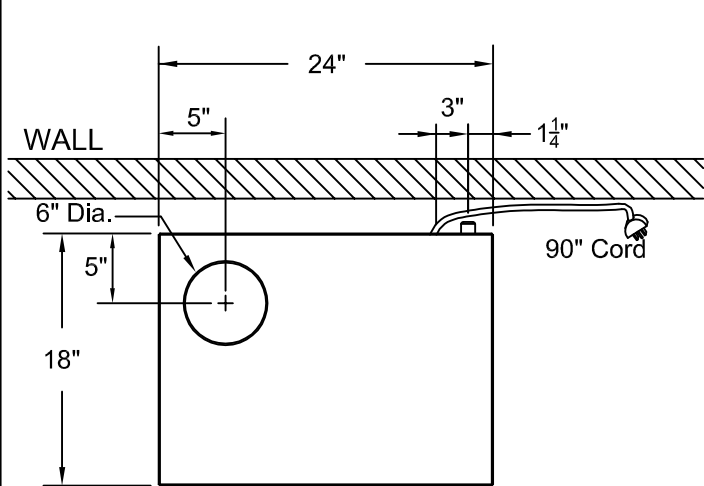


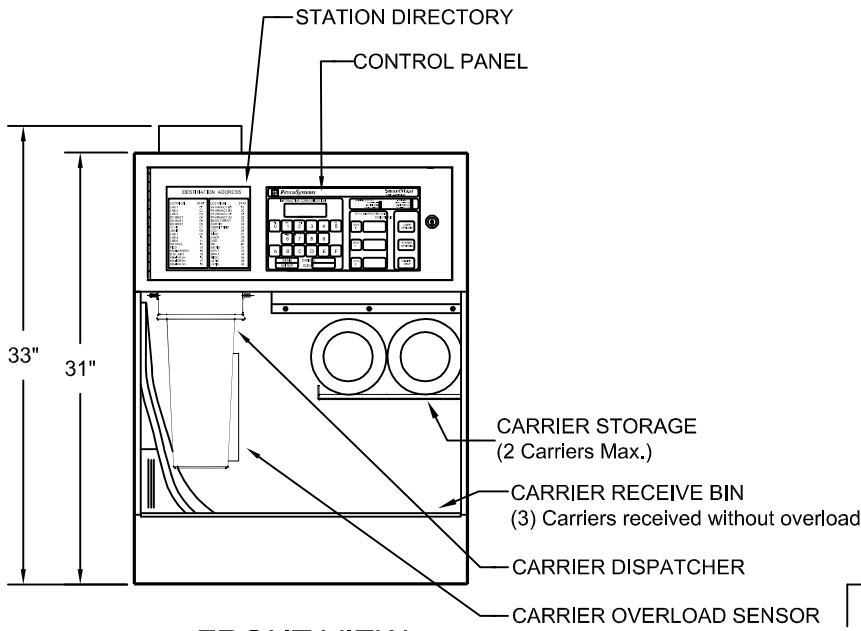
This drawing is property of Pevco Systems International, Inc. It may not be copied or exhibited without written permission.



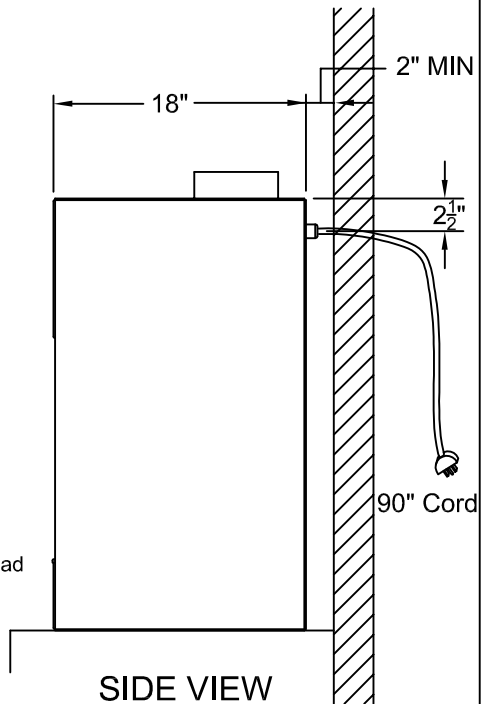
NOTES:

1. STATION REQUIRES 120 VOLT, 5 AMP DEDICATED CIRCUIT (PROVIDED BY OTHERS).
2. ONE 7/8" DIA HOLE IN THE BACK OF STATION FOR COMMUNICATION CABLE CONNECTION.
3. STATION TO BE COUNTER MOUNTED. (COUNTER PROVIDED BY OTHERS)
4. RECOMMENDED CONTROL PANEL HEIGHT IS 5'-0".
5. SPACE NEEDED IS 20" x 24".
6. STATION WEIGHT IS 142 lbs.
7. OPTIONAL SIDE CARRIER STORAGE RACK IS AVAILABLE FOR EXTRA STORAGE. (SEE PEV200.18)
8. OPTIONAL PEDESTAL BASE AVAILABLE. (SEE PEV200.32)

COUNTER (BY OTHERS)
PLAN VIEW



FRONT VIEW



SIDE VIEW

Pevco™

Baltimore, Maryland
800.296.PEVCO (7382)
WWW.PEVCO.COM

COMPACT (1-PORT) STATION

6" COMPUTERIZED PNEUMATIC TUBE SYSTEMS

SCALE	NONE	DATE
DRAWN	BK/SDW	01.06.06
REVISED	SDW	06.01.07
	SDW	10.22.07
DRAWING NUMBER	PEV200.28	REVISION 2