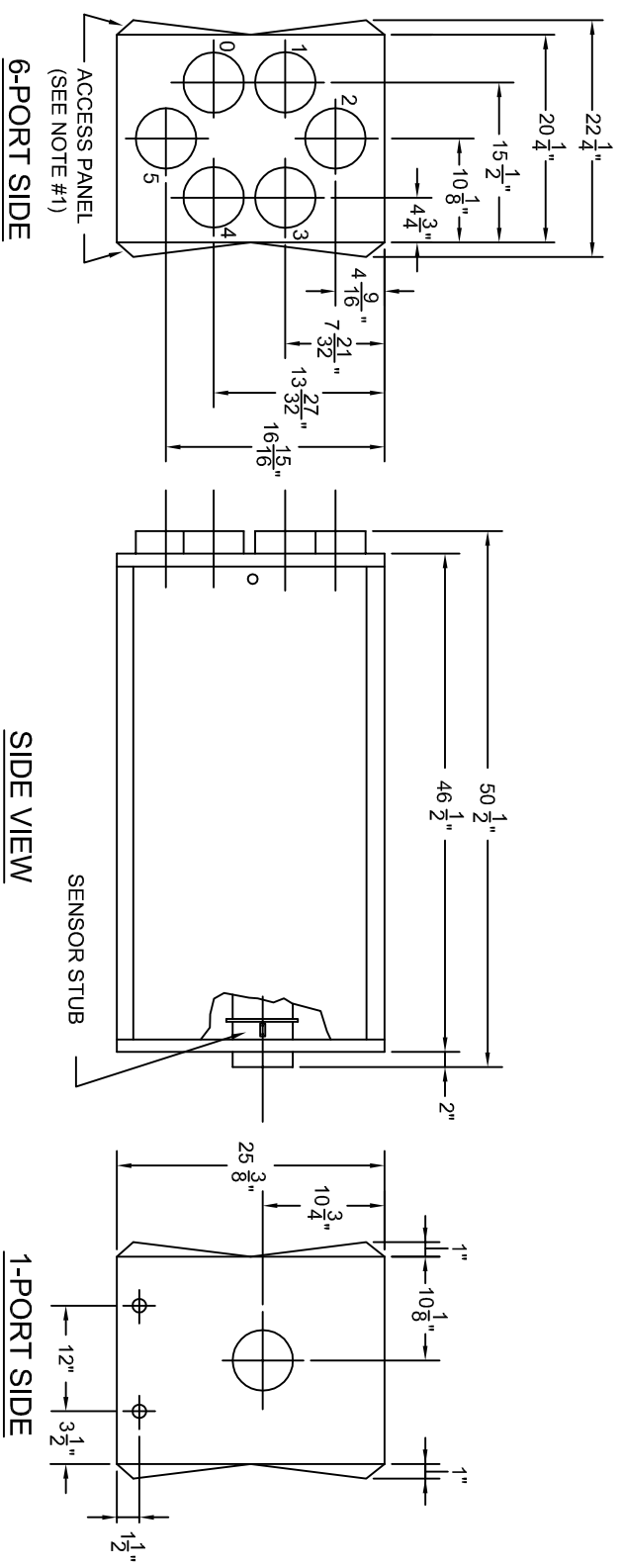


This drawing is property of Pevco Systems International, Inc. It may not be copied or exhibited without written permission.



- NOTES:
1. MINIMUM OF 24" CLEARANCE ON ONE SIDE OF THE DIVERTER IS REQUIRED FOR ACCESS TO ALLOW FOR MAINTENANCE AND SERVICE.
  2. TWO 7/8" DIA. HOLES ON THE 1-PORT SIDE FOR COMMUNICATION CABLES AND CONDUIT CONNECTION.
  3. DIVERTER REQUIRES 120 VOLT, 5 AMP DEDICATED CIRCUIT (PROVIDED BY OTHERS).
  4. DIVERTER WEIGHT IS 185 LBS.

 <p>Baltimore, Maryland 800.296.PEVCO (7382) WWW.PEVCO.COM</p>		<p>6-PORT DIVERTER</p> <p>6" COMPUTERIZED PNEUMATIC TUBE SYSTEM</p>		SCALE	NONE	DATE
				DRAWN	SDW	05.01.00
		REVISED	SDW	01.06.06		
		DRAWING NUMBER	PEV22.2	REVISION	4	