

Model F-507-W Resilient Wedge Gate Valve

Technical Features

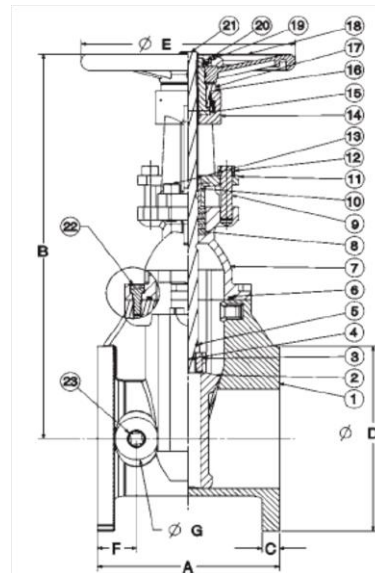
- 300 PSI/20.7 bar non-shock water working pressure
- Outside screw and yoke
- Bolted bonnet
- Resilient Wedge
- Epoxy coated body inside and out per AWWA C-550
- Flanged end connections
- Conforms to AWWA C509
- Listed by UL
- FM Approved
- Size range 2½" to 10"
- Size range 12" to 16" 250 PSI /17.2 Bar non-shock water working pressure



F-507-W

MATERIAL LIST

PART	SPECIFICATION
1.Valve Body	Ductile Iron ASTM A 536
2.Resilient Wedge	Ductile Iron ASTM A 536/EDPM ASTM D 2000
3.Wedge Nut	Bronze ASTM B 584 UNS C83600
4.Dowel Pin	Stainless Steel ASTM A 276 UNS S42000 4"-16" ASTM B584 UNS C92200 2"-3"
5.Stem Back Seat O-Ring	EDPM ASTM D 2000
6.Bonnet Gasket	EDPM ASTM D 2000
7.Bonnet	Ductile Iron ASTM A 536
8.Stem Packing	EDPM ASTM D 2000
9.Threaded Rod	Carbon Steel Zinc Plated
10.Gland Bushing	Bronze ASTM B 584
11.Gland	Cast Iron ASTM A 126-B
12.Gland Nut	Stainless Steel 18-8
13.Yoke Screw	Alloy Steel ASTM A 574M Zinc Plated
14.Yoke	Cast Iron ASTM A 126-B
15.Yoke Bushing	Bronze ASTM B 584
16.Flat Point Set Screw	Alloy Steel ASTM F912M Black Oxide
17.Yoke Bushing Retainer	Cast Iron ASTM A 126-B
18.Handwheel	Ductile Iron ASTM A 536
19.Handwheel Nut	Carbon Steel Zinc Plated
20.Flat Head Screw	Carbon Steel Zinc Plated
21.Stem	Bronze ASTM B150 UNS C61400
22.Bonnet Screw	Alloy Steel ASTM A 574M Zinc Plated
23.NPT Pipe Plug	Malleable Iron ANSI B16.3(Epoxy Coated)
24.UL/FM Label	Aluminum



DIMENSIONS---WEIGHTS---QUANTITIES

Size	Dimensions																Bolt Circle	Flange Holes	Turns to Open	Weight			
	A	B Open	B Closed	C	D	E	F	G	In	mm	In	mm	In	mm	In	mm				Lbs	Kg		
2 1/2	65	7.5	190	17.8	453	14.9	378	0.69	17.5	7.0	178	7.9	200	1.50	38	1.6	40	5.50	140	4	8.8	45	20
3	80	8	203	19.7	500	15.9	405	0.75	19.0	7.5	191	7.9	200	1.73	44	2.1	54	6.00	152	4	10.5	53	24
4	100	9	229	21	534	16.6	422	0.94	24.0	9.0	229	10.2	260	2.13	54	2.1	54	7.50	191	8	10.4	94	43
6	150	10.5	267	29.3	744	22.9	581	1.00	25.4	11.0	279	12.4	315	2.24	57	2.5	64	9.50	241	8	15.7	154	70
8	200	11.5	292	37	939	28.5	724	1.13	28.6	13.5	343	14.8	375	2.48	63	2.8	70	11.75	298	8	17.2	247	112
10	250	13	330	44.8	1139	34.5	877	1.19	30.2	16.0	406	16.4	416	2.56	65	2.8	70	14.25	362	12	21.4	349	159
12	300	14	356	52.2	1326	39.9	1014	1.25	31.8	19.0	483	17.5	445	2.91	74	3.4	86	17.00	432	12	25.5	484	220
14	350	15	381	62.51	1595	46.1	1171	1.38	35.0	21.0	533	18.7	475	2.95	75	3.1	80	18.75	476	12	44.0	682	310
16	400	16	406	74.64	1900	53.3	1354	1.46	37.0	23.5	597	20.5	520	3.00	77	3.1	80	21.25	540	16	50.0	860	391

7045 Mechanicsville Turnpike Mechanicsville VA 23111 USA

Phone: 804-9778777 Fax: 804-9778778

WWW.FIREWALLLLC.COM