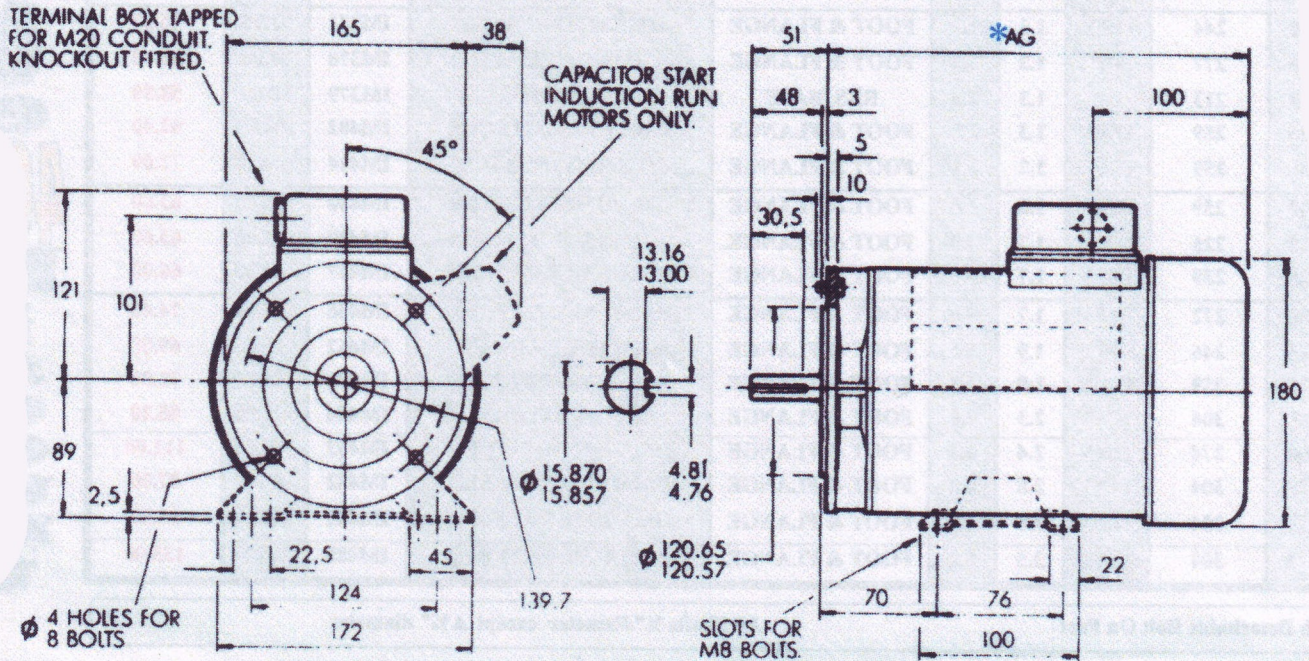


Totally Enclosed Fan Ventilated

On capacitor start capacitor run motors the second capacitor is mounted on the opposite side of the terminal box at 10 o'clock position looking at drive end.



Drip Proof

