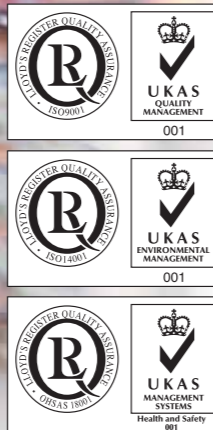


www.hawke-hts.com

HTS systems available worldwide through our local suppliers network and sales points.

Prompt deliveries from our strategic logistic centres and local stocks available all around the world.



Hawke Transit System

HAWKE TRANSIT SYSTEM-HTS

HEAD OFFICE

Paseo del Niño 4, nave B-2
39300 Torrelavega. Spain
Tel.: + 34 942 89 00 52
Fax: +34 942 88 30 58
sales@hawke-hts.com

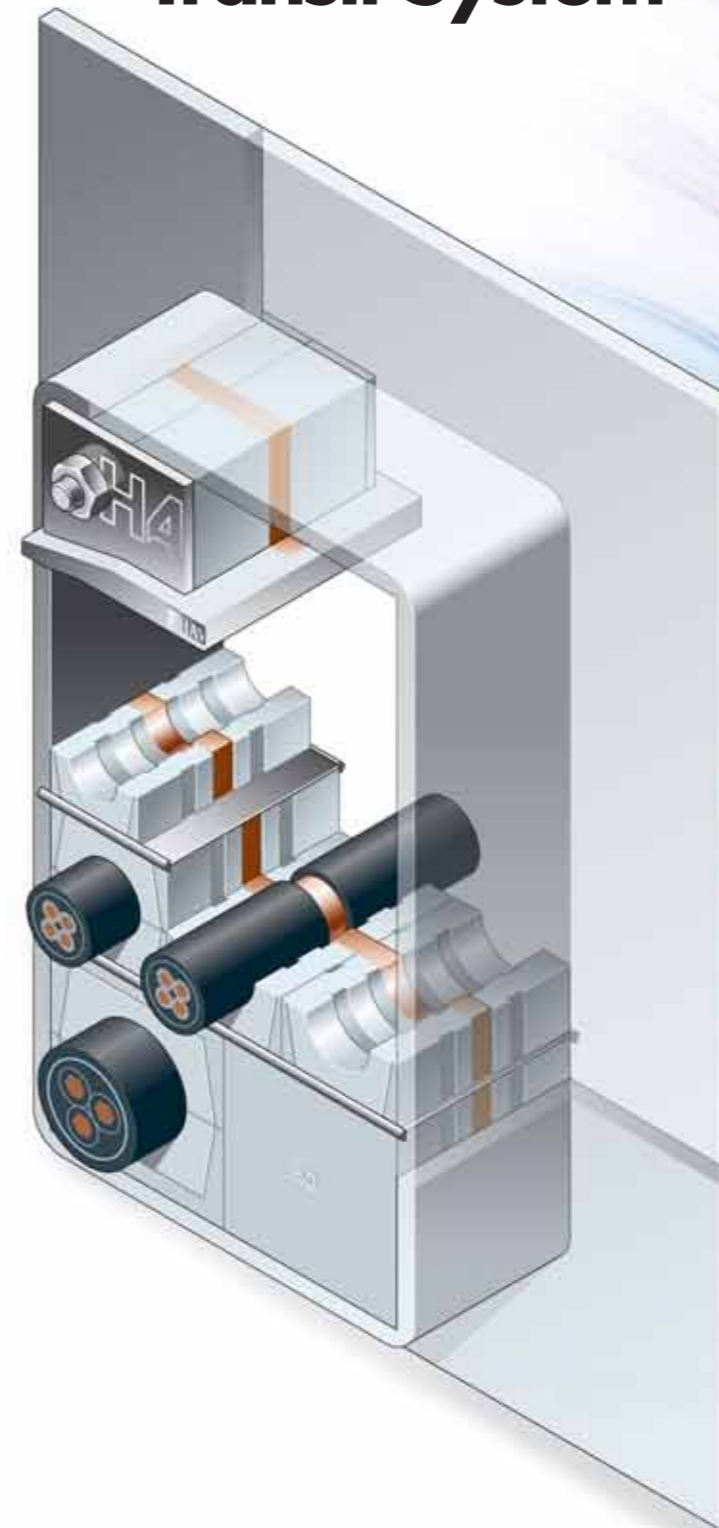
U.K. SALES OFFICE

HTS Logistic centre P.O. Box 271
WILMSLOW
SK9 3WS United kingdom
Tel.: + 44(0) 1625 252162
Fax: + 44(0) 1625 251062

HAWKE TRANSIT ASIA PTE LTD.

No.18 Boon Lay Way
#02-143 Tradehub 21
Singapore 609966
Tel.: +65 668.622.42
Fax: +65 668.622.52

Hawke Transit System



HTS
HAWKE TRANSIT SYSTEM
avoid the risk

HTS
HAWKE TRANSIT SYSTEM
avoid the risk

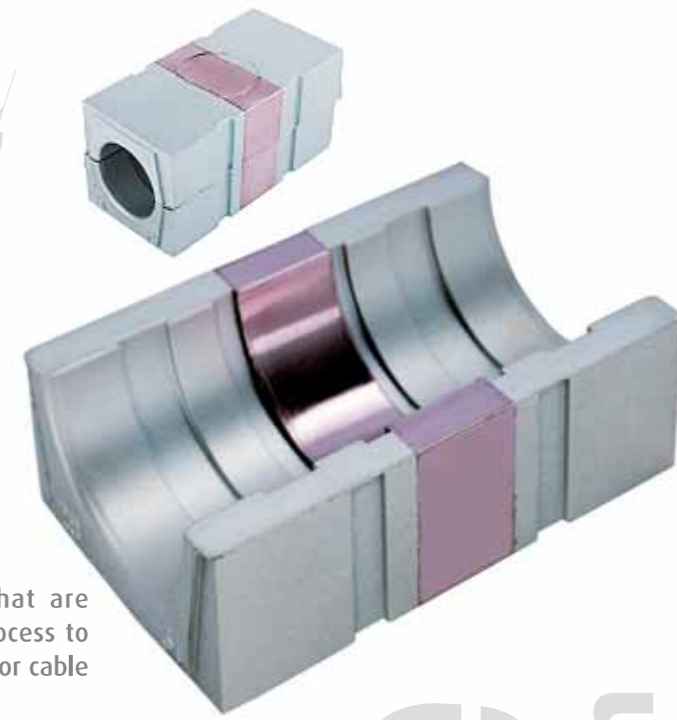


EMC Hawke Transit System

Essential to ensure the integrity of computer and military communications. Specially prepared to eliminate stray air bourn and cable screen signals/noise, apart from being certified as a fire, water and gas barrier.

Stray signal/noise cannot pass through the conductive EMC and pass to earth. Tolerant and filler blocks have a cable range of 3mm to 100mm and are coated with a high conductive material. Copper tape provides high conductive path from cable screen to earth. Frame zinc plated or stainless steel to allow conductivity from blocks to earth.

Simple preparation of cable and assembly of system without modification of insert blocks onsite.



Tolerant block size range

Made of zero halogen, intumescent elastomeric polymer. Produced in modular form to accommodate a compact range of block sizes. They

have five sealing faces that are displaced by the sealing process to give a tolerance of to 4mm for cable diameters.

Case studies

- Battleships
- Frigates F-100 and F-310
- Amphibious Ships
- LHD and LCM
- Submarines
- Combat support ships
- Joint Support Ships (JSS)
- High Speed Attack Craft

Major navies using Hawke Transit System

- Norwegian Navy
- Spanish Navy
- Australian Navy
- Royal Netherlands Navy
- British Royal Navy
- Venezuelan Navy



avoid the risk

Hawke
Transit System

Unique cable transit system ideal for navy

The HTS cable/pipe tolerant blocks have been designed with a degree of flexibility to accommodate variances in cable diameters. With a small number of blocks it is possible accommodate the full range of standard cable sizes. This allows a much simpler and faster installation and inspection procedures than offered by other systems and fewer inventories.

