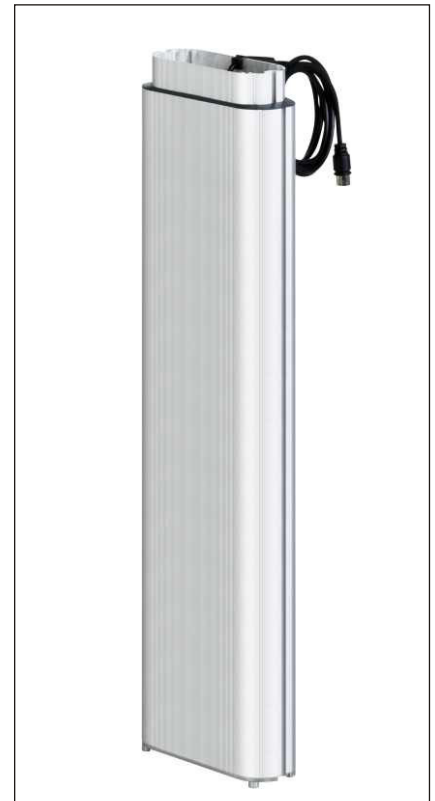


Telescopic Pillar T 175/2

T175J500640CCC24

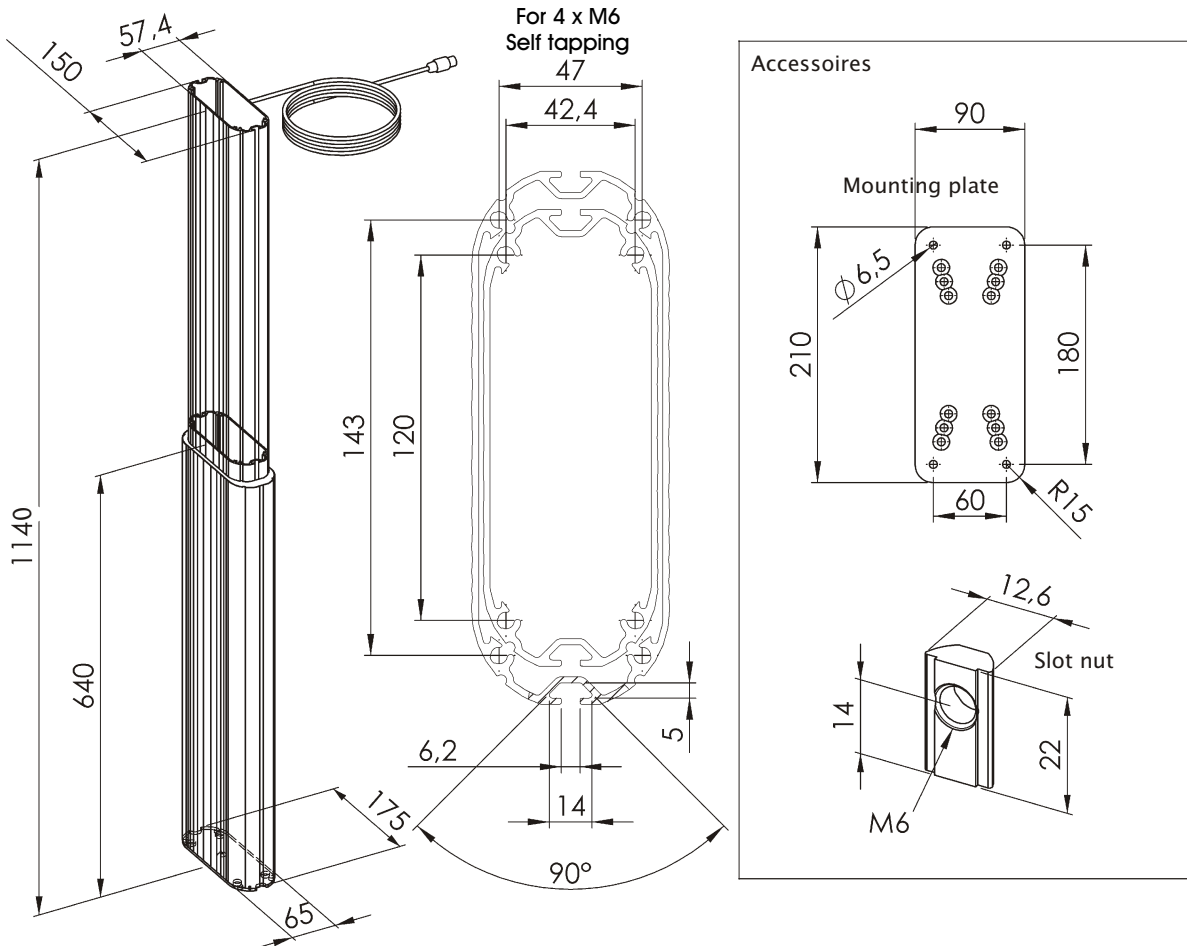


T-175 /2

Single-stage telescopic pillar of modern design used in many lifting applications. Very quiet, internal DC actuator drive for lift forces to 800 N and linear speeds to 25 mm/sec. This pillar is especially suited to sitting/standing desk or other applications.

Telescopic Pillar T 175/2

T175J500640CCC24



Telescopic-Pillar T-175/2 Anodised aluminium

Art.Nr.	T175J500640CCC24
Max. thrust force:	800 N
Max. turning moment:	200 Nm static load, vertical (100 Nm dynamic)
Max. linear Speed:	25 mm/s without load
Drive:	Internal 24 V DC motor with integrated limit switches and two hall sensors
Cable:	Standard length: 1200 mm, DIN Plug
Duty cycle:	10 % (S3) intermittent operation and max. load (1 Min. on /9 Min.off)
Installation geometry:	Preferably pushing , ask for details.
Synchronous operation:	1- 4 Pillars, max. 2500N thrust force
Refer to accessories section for assembly components	