

Telescopic Pillar T 175/3mini

T175K235245CCC24

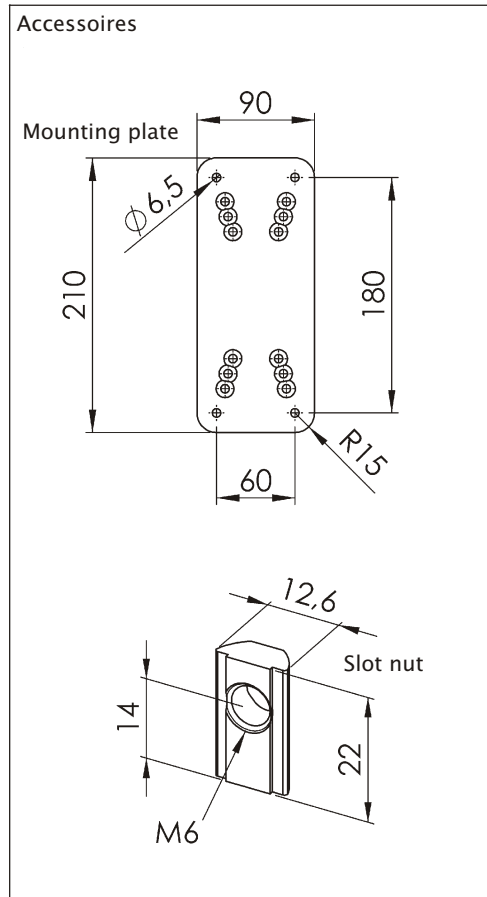
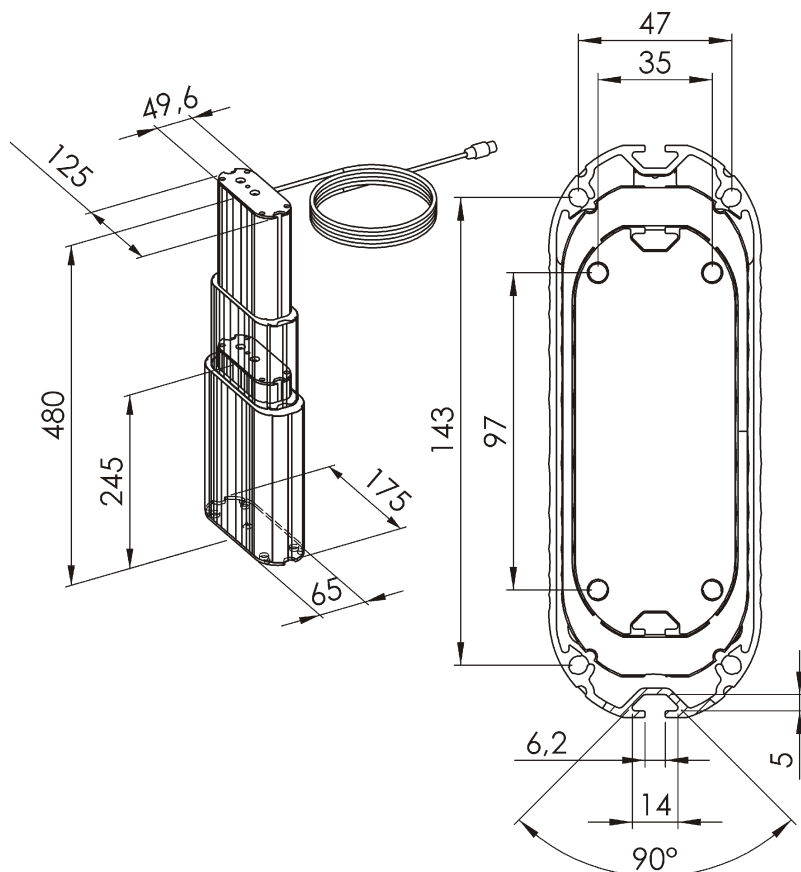


T-175 /3mini

Two-stage telescopic pillar of modern design used in many lifting applications. Very quiet, internal DC actuator drive for lift forces to 800 N and linear speeds to 25 mm/sec. This pillar is especially suited for short retracted height. Max. retracted height 300mm.

Telescopic Pillar T 175/3mini

T175K235245CCC24



Telescopic-Pillar T-175/3mini Anodised aluminium

| | |
|-------------------------------|---|
| Art.Nr. | T175K235245CCC24 |
| Max. thrust force: | 800 N |
| Max. turning moment: | 200 Nm static load, vertical (100 Nm dynamic) |
| Max. linear speed: | 25 mm/s without load |
| Drive: | Internal 24 V DC actuator with integrated limit switches and two hall sensors |
| Cable: | Standard length: 1450 mm, DIN Plug |
| Duty cycle: | 10 % (S3) intermittent operation and max. load (1 Min. on /9 Min.off) |
| Installation geometry: | Preferably pushing , ask for details. |
| Synchronous operation: | 1- 4 Pillars, max. 2500N thrust force |

Refer to accessories section for assembly components