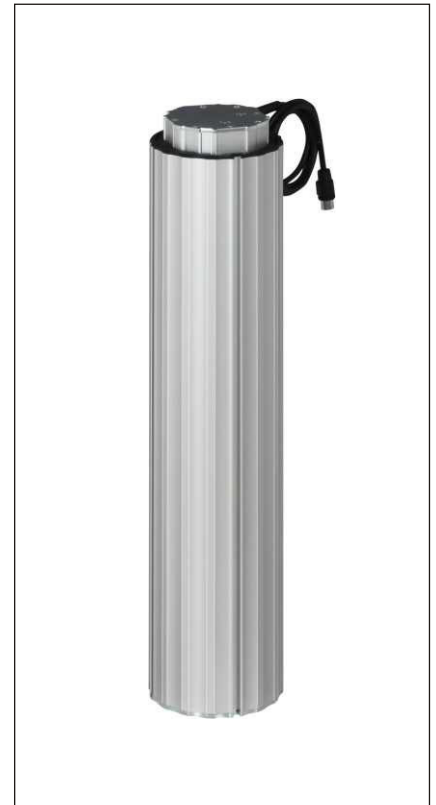


## Telescopic Pillar TR 126/3

TR126K800580AAA24

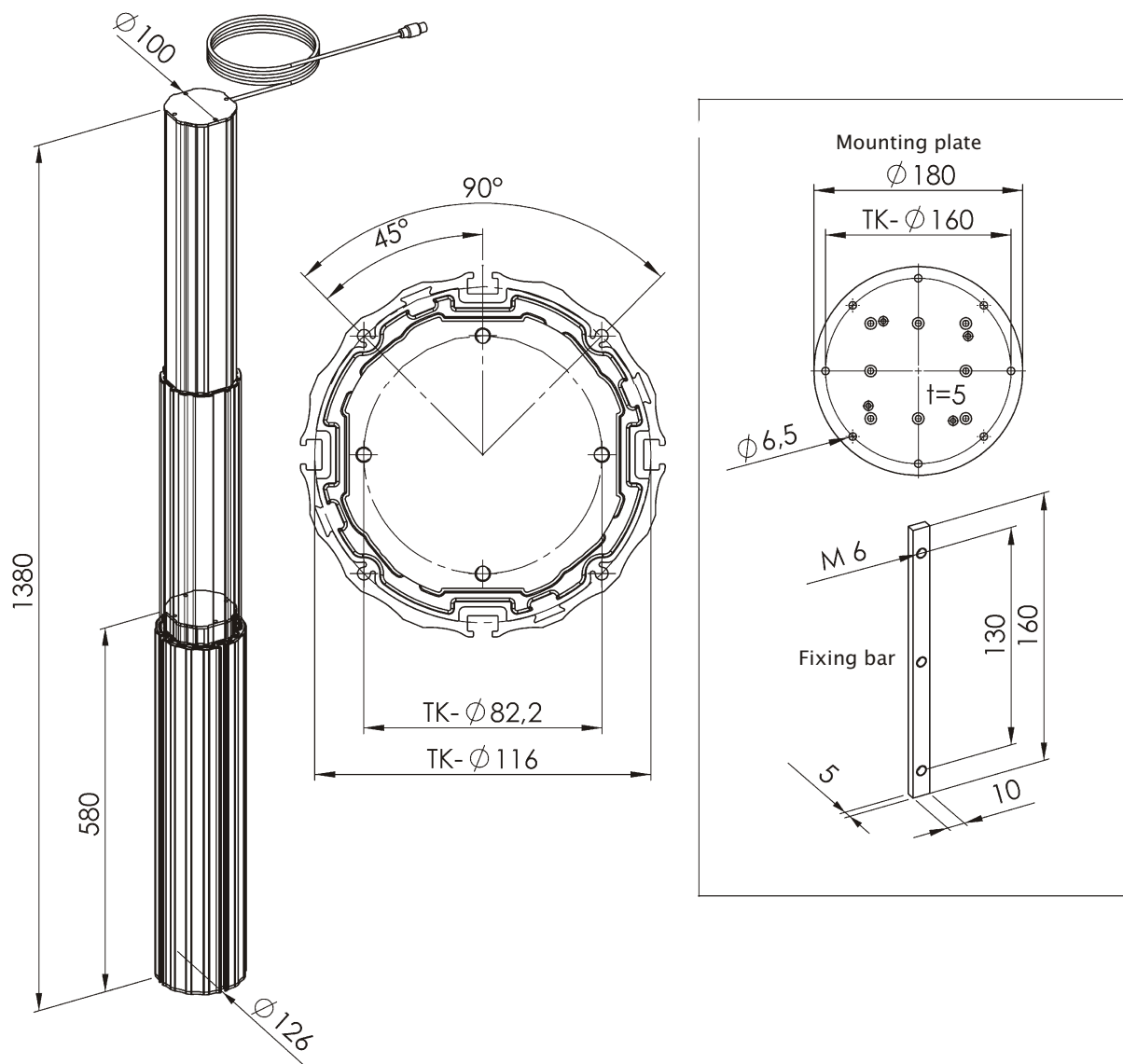


### TR-126 /3

Two-stage telescopic pillar of modern design used in many lifting applications. Very quiet, internal DC actuator drive for lift forces to 800 N and linear speeds to 25 mm/sec. This pillar is especially suited to sitting/standing desk or other applications with extra-long stroke.

## Telescopic Pillar TR 126/3

TR126K800580AAA24



### Telescopic-Pillar TR-126/3 Anodised aluminium

<b>Art.Nr.:</b>	<b>TR126K800580AAA24</b>
<b>Max. thrust force:</b>	800 N
<b>Max. turning moment:</b>	200 Nm static load, vertical (100 Nm dynamic)
<b>Max. linear speed:</b>	25 mm/s without load
<b>Drive:</b>	Internal 24 V DC actuator with integrated limit switches and two hall sensors
<b>Cable:</b>	Standard length: 1200 mm, DIN Plug
<b>Duty cycle:</b>	10 % (S3) intermittent operation and max. load (1 Min. on /9 Min.off)
<b>Installation geometry:</b>	Preferably pushing , ask for details.
<b>Synchronous operation:</b>	1- 4 Pillars, max. 2500N thrust force
Refer to accessories section for assembly components	