

Telescopic Pillar T 180/3

T180K370320DDD24

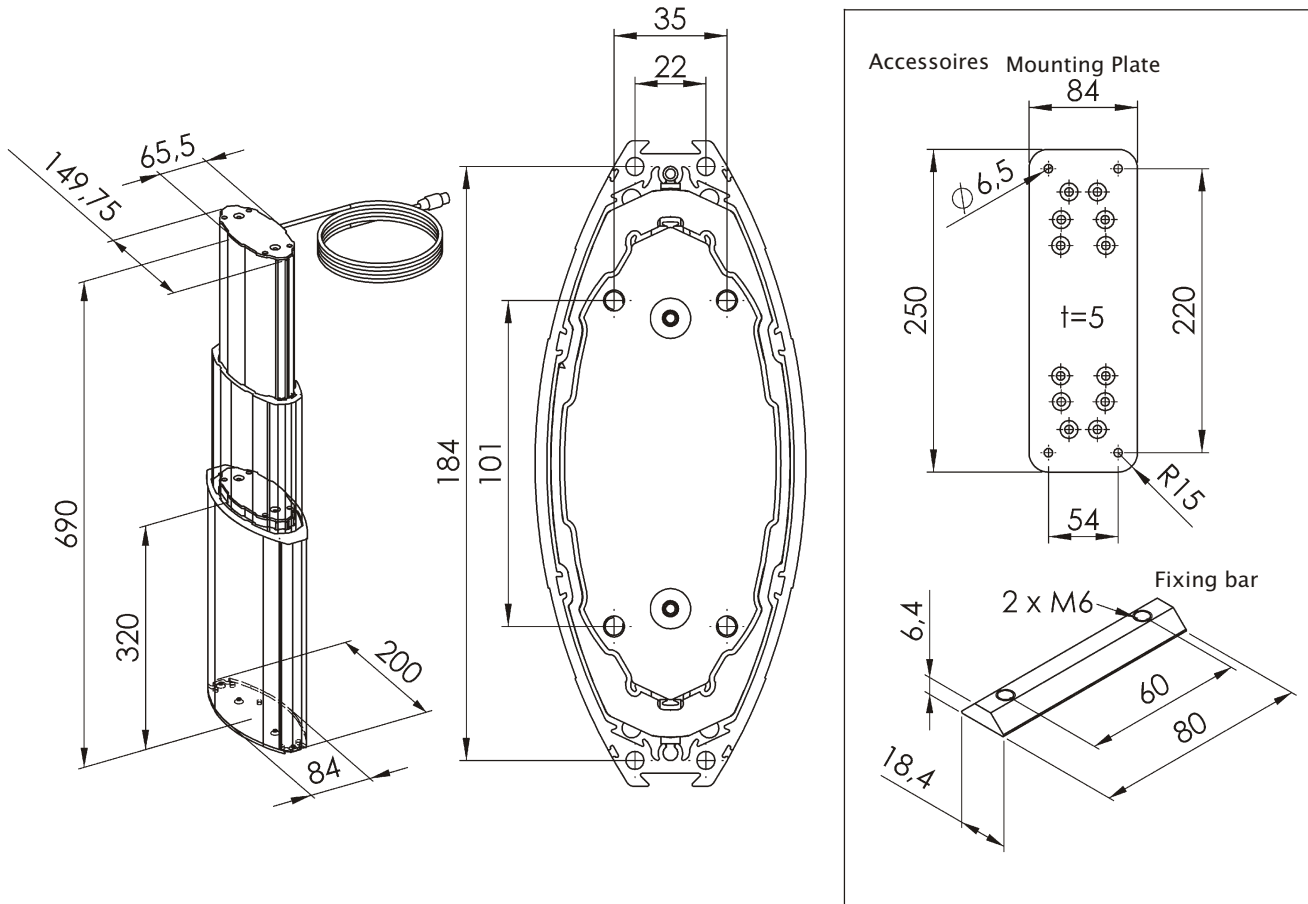


T-180 /3 - 320

Larger section profile, two-stage telescopic pillar of modern design used in many lifting applications. Internal DC actuator drive for lift forces to 800 N and linear speeds to 45 mm/sec. This pillar is especially suited to sitting/standing desk or other applications, with extra-long stroke and for short retracted height.

Telescopic Pillar T 180/3

T180K370320DDD24



Telescopic Pillar T 180/3-320 anodised aluminium

Art.Nr.:	T180K370320DDD24
Max. thrust force:	800 N
Max. turning moment:	200 Nm in static, vertical (100 Nm dynamic)
Maximum linear speed:	45 mm/s without load
Drive:	Internal 24 V DC motor with integrated limit switches and two hall sensors
Cable lengths:	ca. 1200 mm, DIN plug connector
Duty rating:	10% (S3) intermittent operation and max. load (1 Min. on / 9 Min. off)
Installation geometry	Preferably pushing, ask for others
Synchronous operation	1 - 4 pillars. Thrust force, ask for details

Refer to accessories section for assembly components