

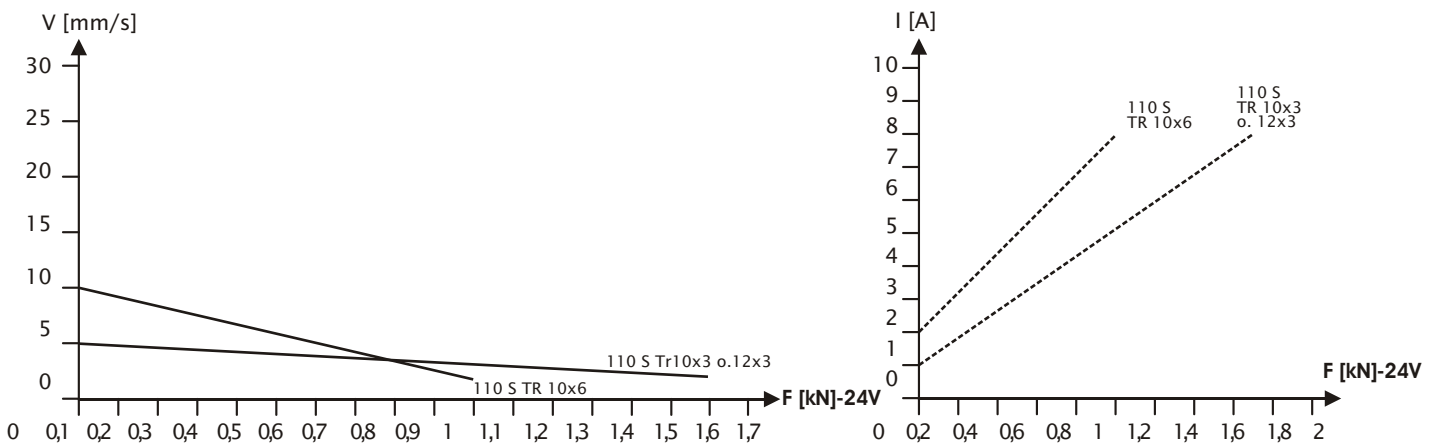
110 S Actuator

11SXYYYZZZEEE24



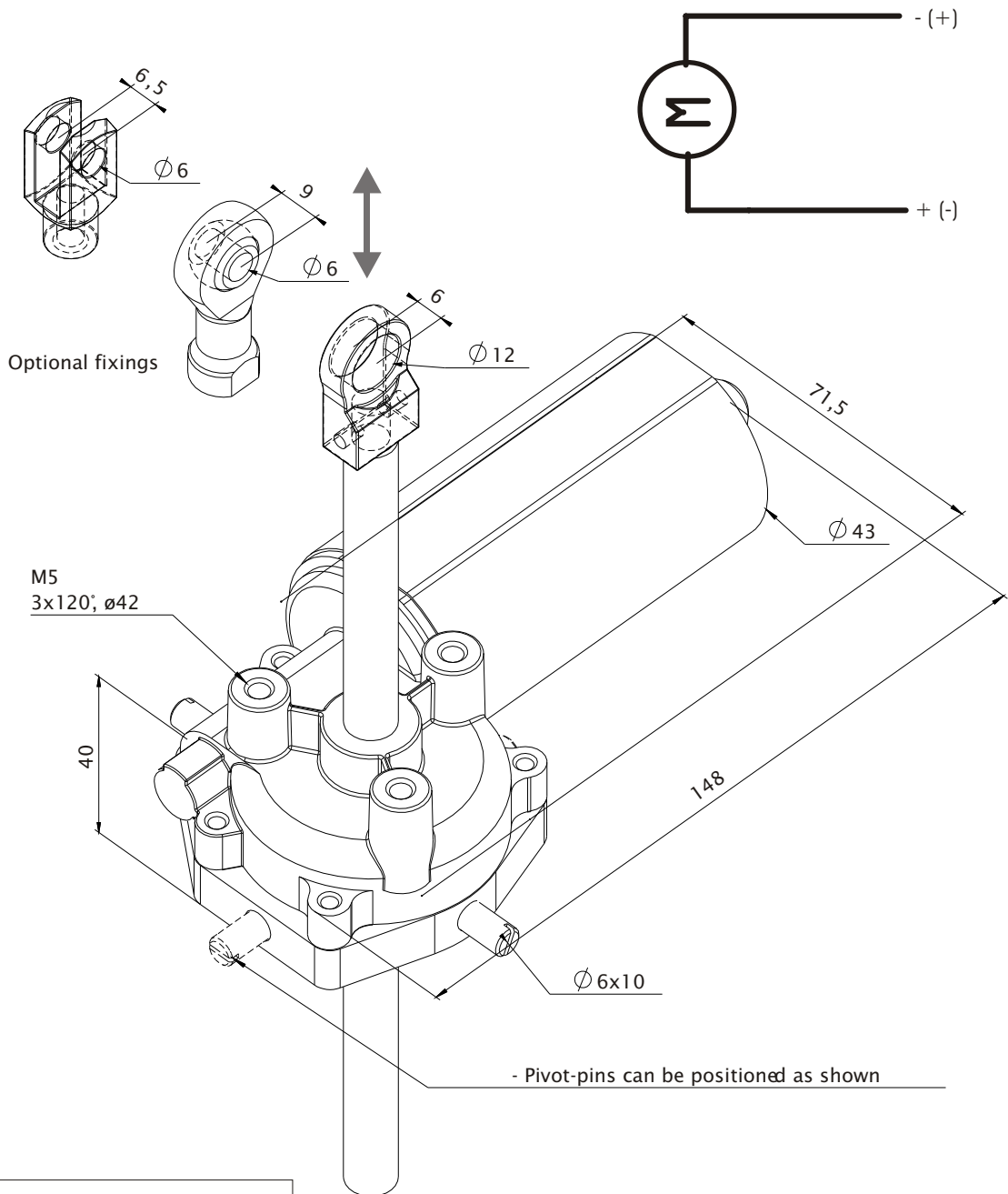
110 S

Miniature screw jack with DC motor and worm gear. Travelling screw with optional end fittings. suitable for current limiting control, Max. 6 Amps or external limit switches (prefered).



110 S Actuator

11SXYYYYZZZZEEE24



Actuator	110 / S
Duty rating	10% (S3)
Insulation class	E
Protection rating	IP32
Weight (without piston) kg	0,75
Cable connection	2 x 0,5 ² ; 20cm
Voltage [V]	12.....36
Current [A]	1,5.....8,0
Nominal rating [W]	30.....80
Maximum power [W]	200
Gear ratio	1 : 62
Pulse Transmitter	-
Limit switches	-

Lifting capacity [N]-24V	Tr10 x 3	1600
	Tr10 x 6	1000
Linear Speed [mm/s] - 24V	Tr10 x 3	5
	Tr10 x 6	10