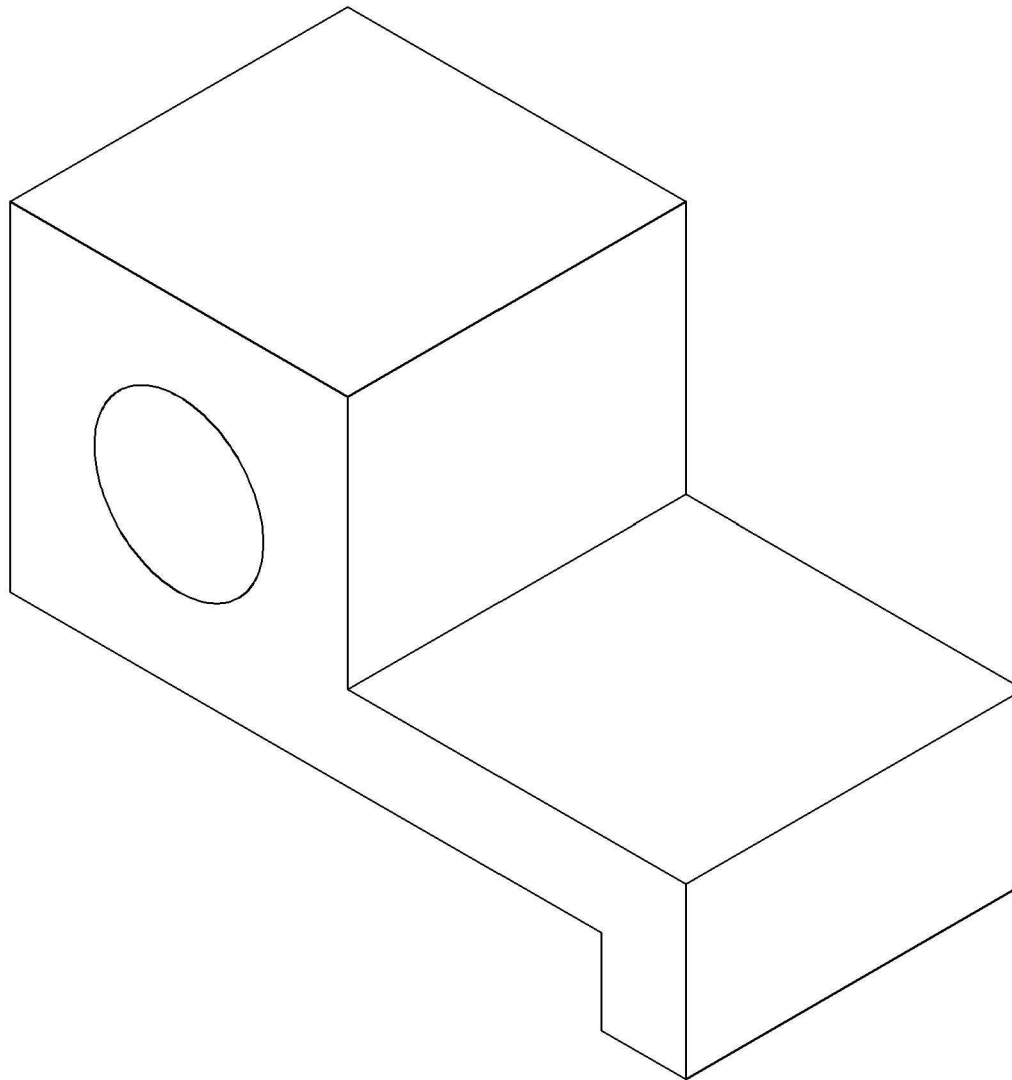
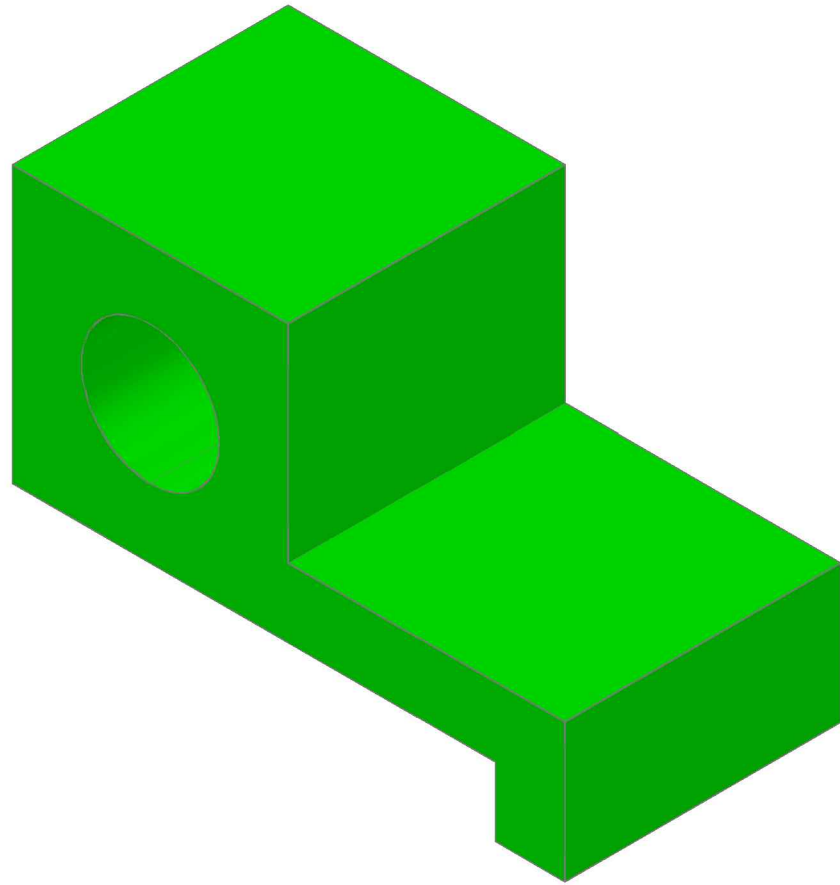


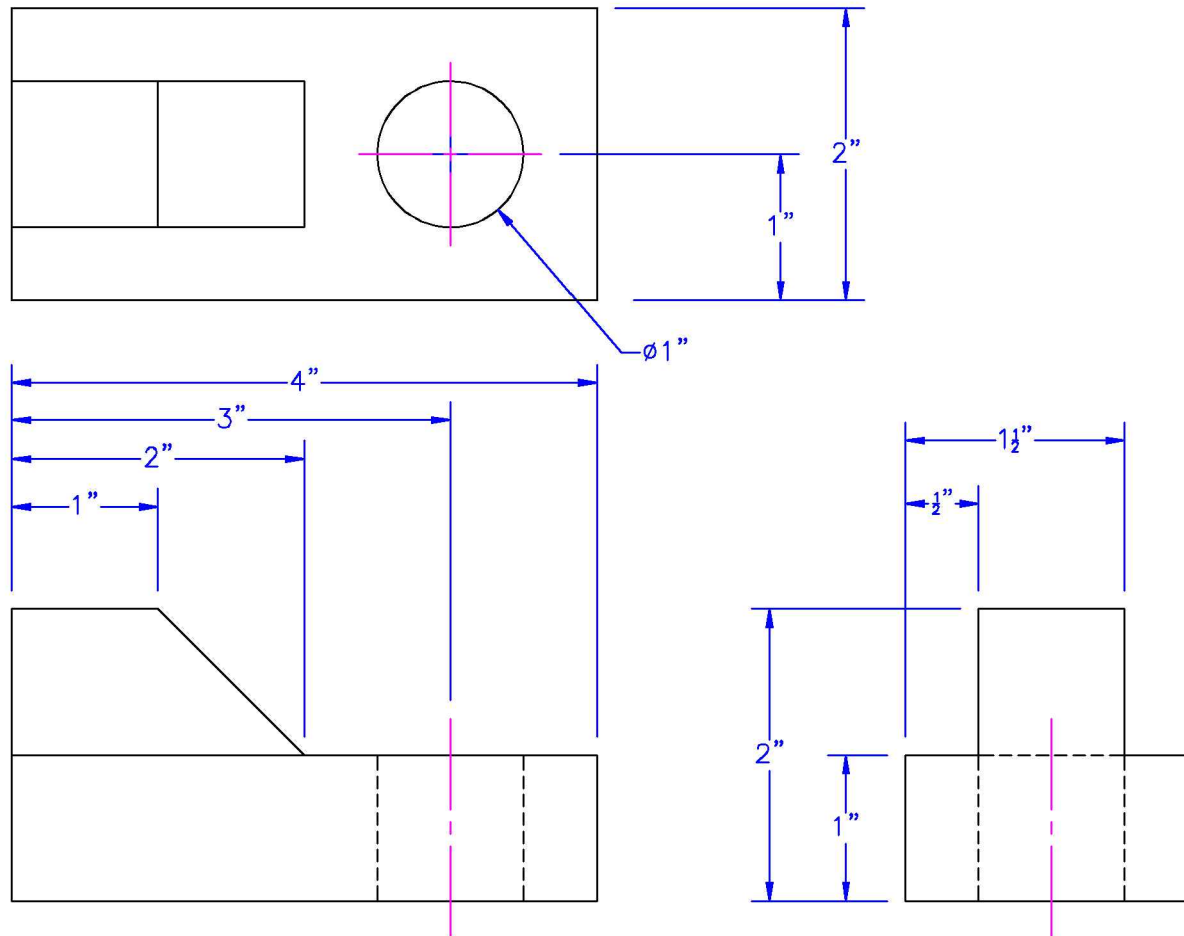
SCHOOL:	SCALE:	TITLE:	DRAWN BY:	DATE:	DRAWING #:
ARDREY KELL HIGH SCHOOL	.75	MULTIVIEW - 1	J. GLENN	07/31/2015	MV1



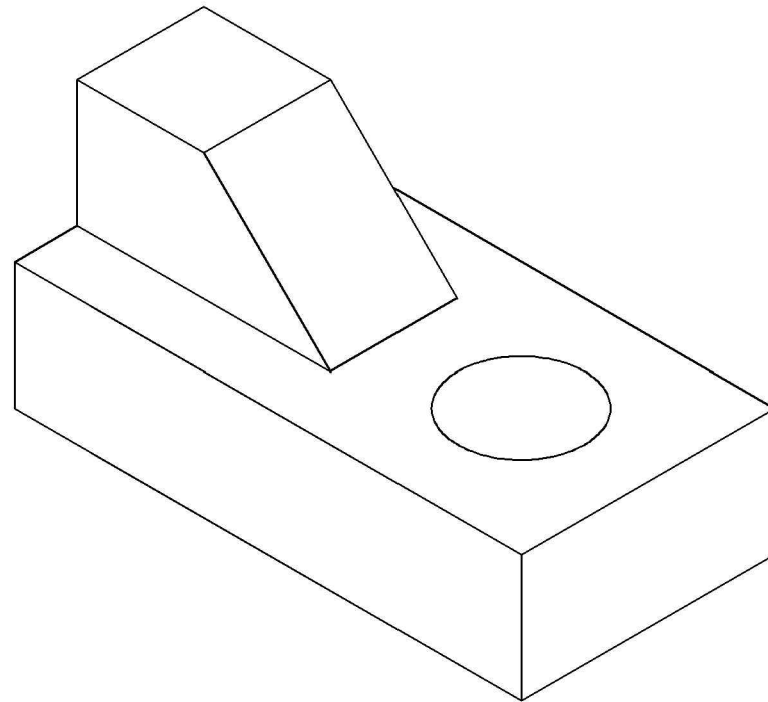
SCHOOL:	SCALE:	TITLE:	DRAWN BY:	DATE:	DRAWING #:
ARDREY KELL HIGH SCHOOL	1:1	ISOMETRIC -1	J. GLENN	07/31/2015	ISO1



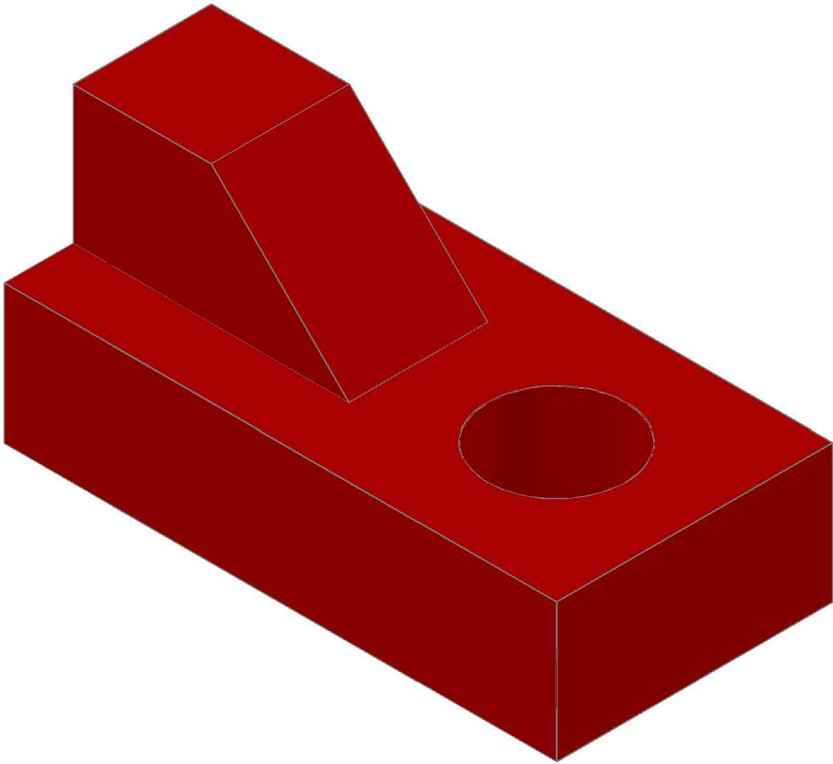
SCHOOL:	SCALE:	TITLE:	DRAWN BY:	DATE:	DRAWING #:
ARDREY KELL HIGH SCHOOL	1:1	SOLID MODEL - 1	J. GLENN	07/31/2015	SM1



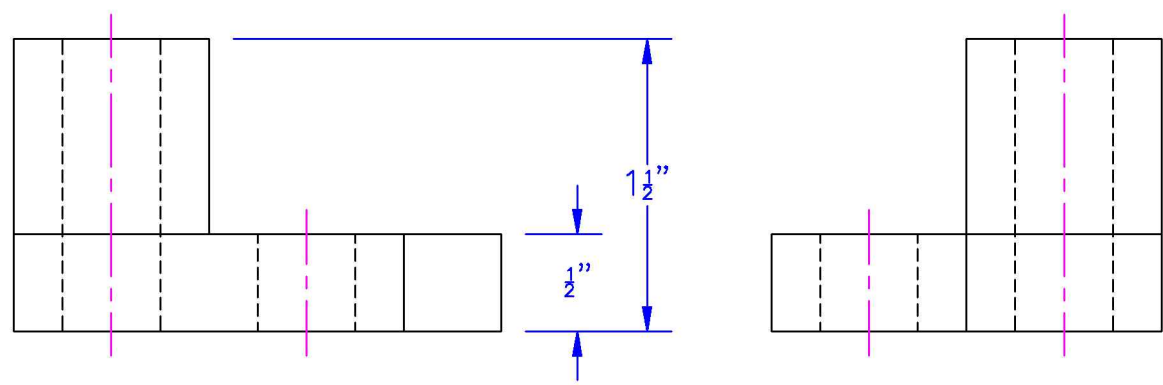
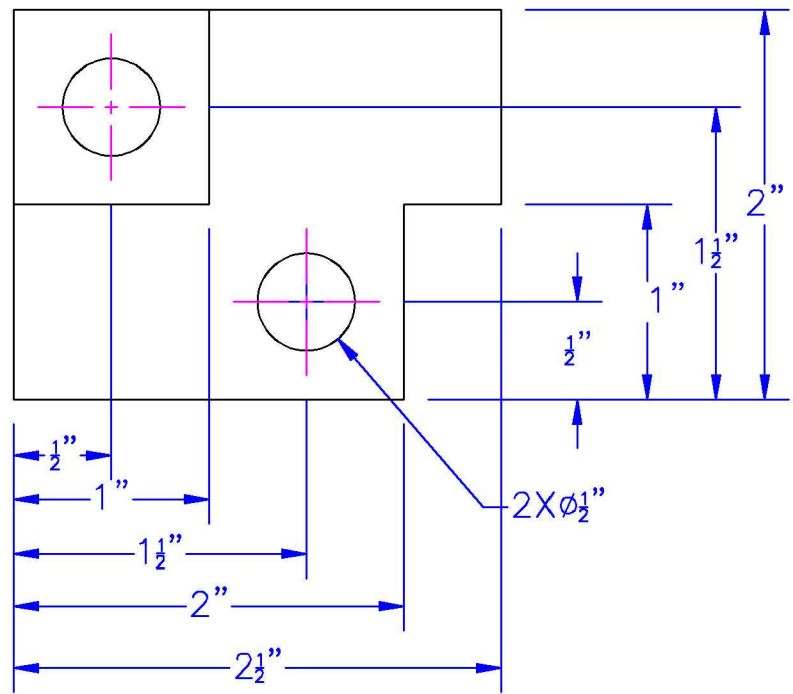
SCHOOL:	SCALE:	TITLE:	DRAWN BY:	DATE:	DRAWING #:
ARDREY KELL HIGH SCHOOL	.75	MULTIVIEW - 2	J. GLENN	07/31/2015	MV2



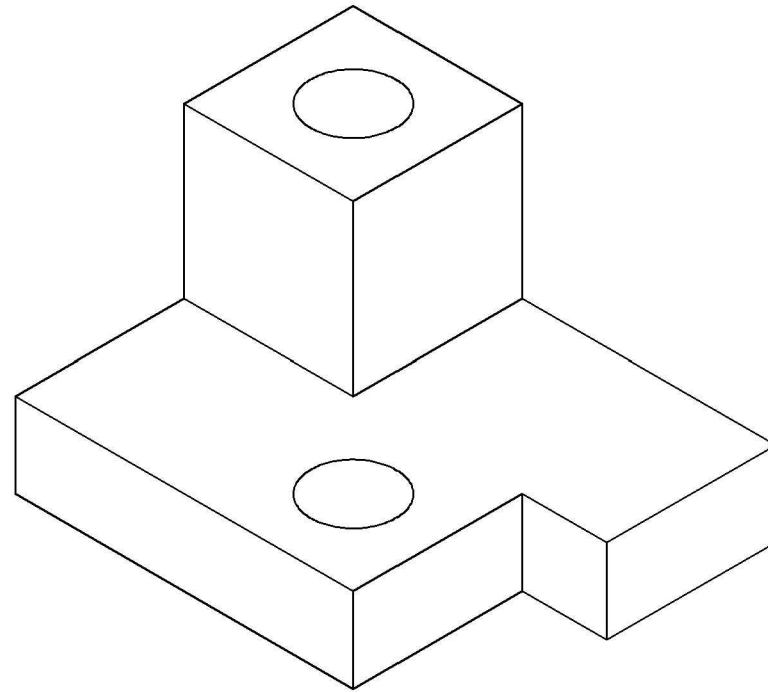
SCHOOL:	SCALE:	TITLE:	DRAWN BY:	DATE:	DRAWING #:
ARDREY KELL HIGH SCHOOL	1:1	ISOMETRIC -2	J. GLENN	07/31/2015	ISO2



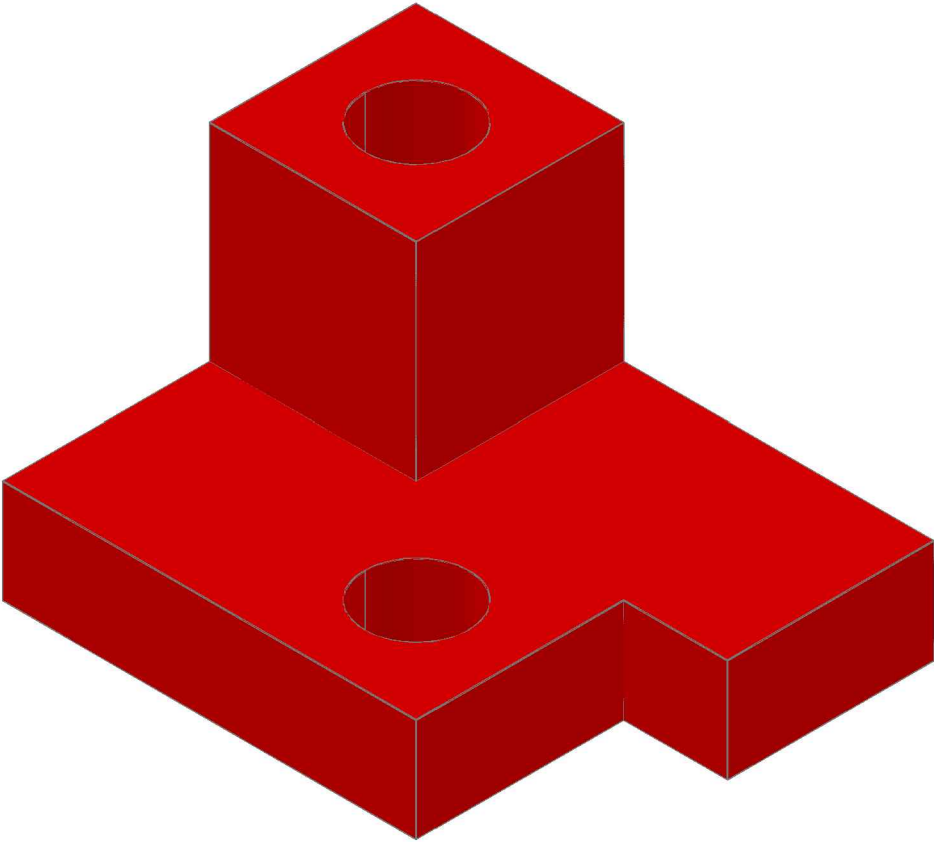
SCHOOL:	SCALE:	TITLE:	DRAWN BY:	DATE:	DRAWING #:
ARDREY KELL HIGH SCHOOL	2:1	SOLID MODEL - 2	J. GLENN	07/31/2015	SM2



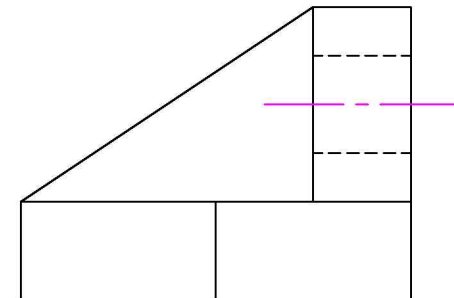
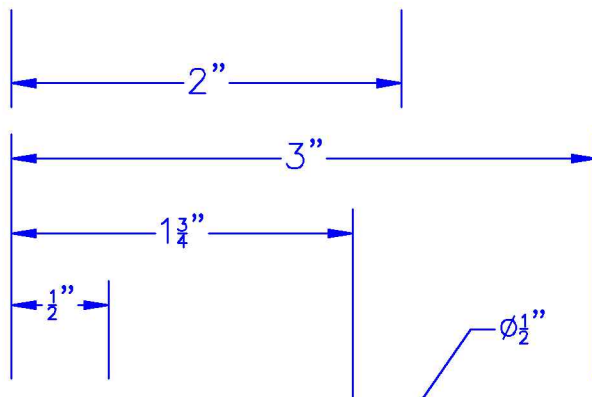
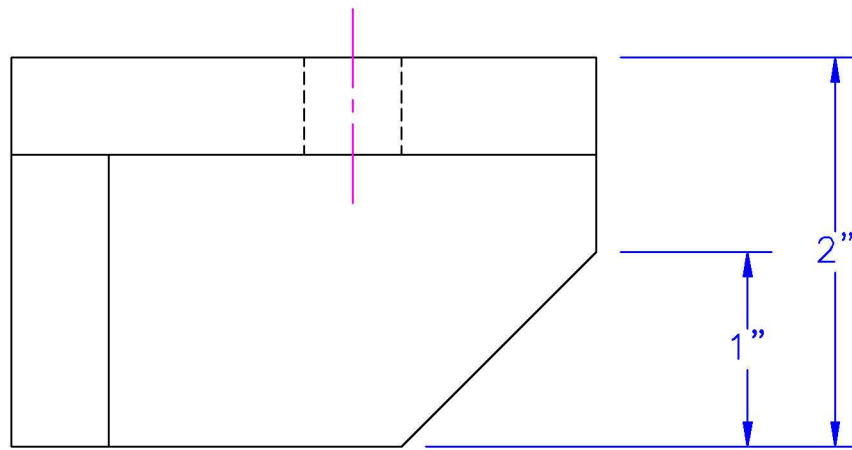
SCHOOL:	SCALE:	TITLE:	DRAWN BY:	DATE:	DRAWING #:
ARDREY KELL HIGH SCHOOL	1:1	MULTIVIEW - 3	J. GLENN	07/31/2015	MV3



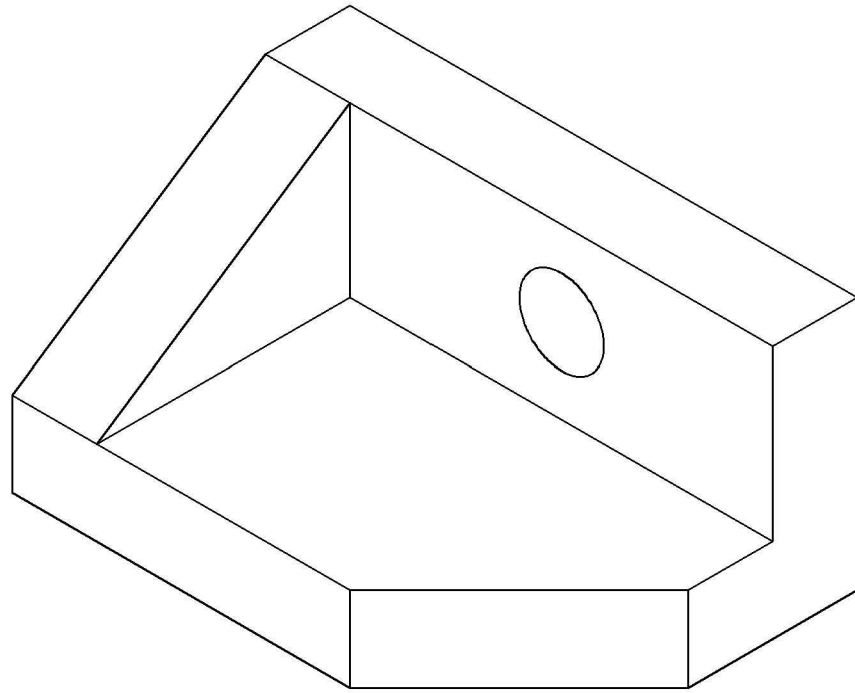
SCHOOL:	SCALE:	TITLE:	DRAWN BY:	DATE:	DRAWING #:
ARDREY KELL HIGH SCHOOL	1:1	ISOMETRIC -3	J. GLENN	07/31/2015	ISO3



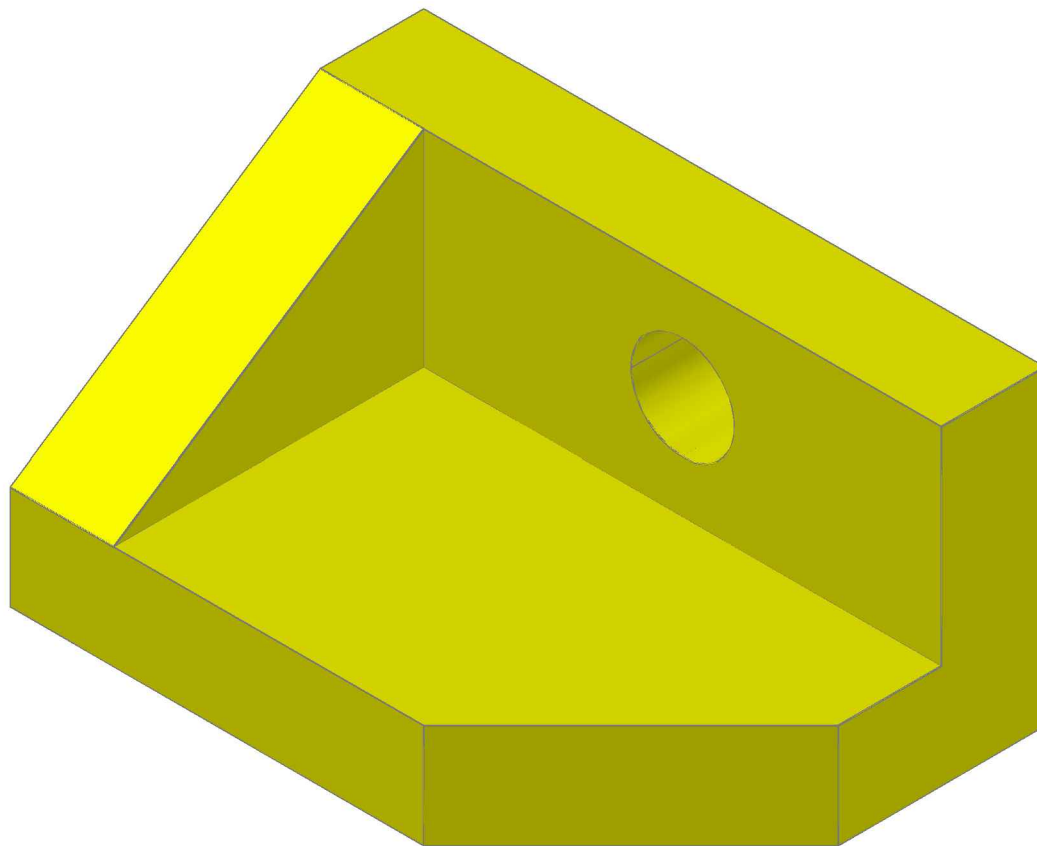
SCHOOL:	SCALE:	TITLE:	DRAWN BY:	DATE:	DRAWING #:
ARDREY KELL HIGH SCHOOL	1:1	SOLID MODEL - 3	J. GLENN	07/31/2015	SM3



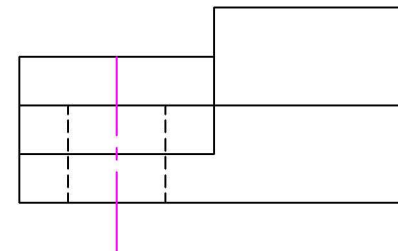
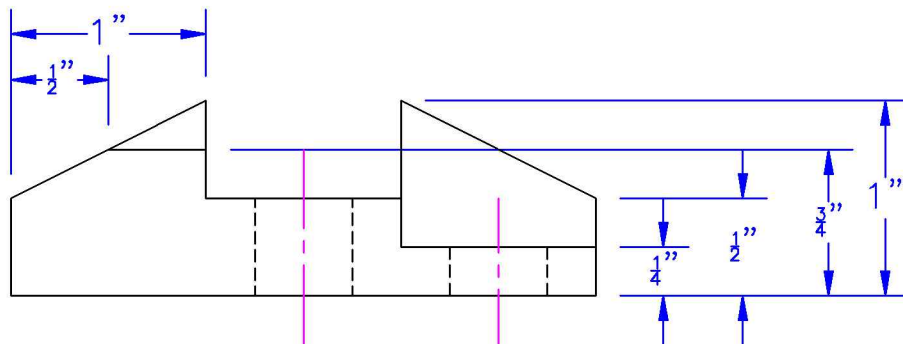
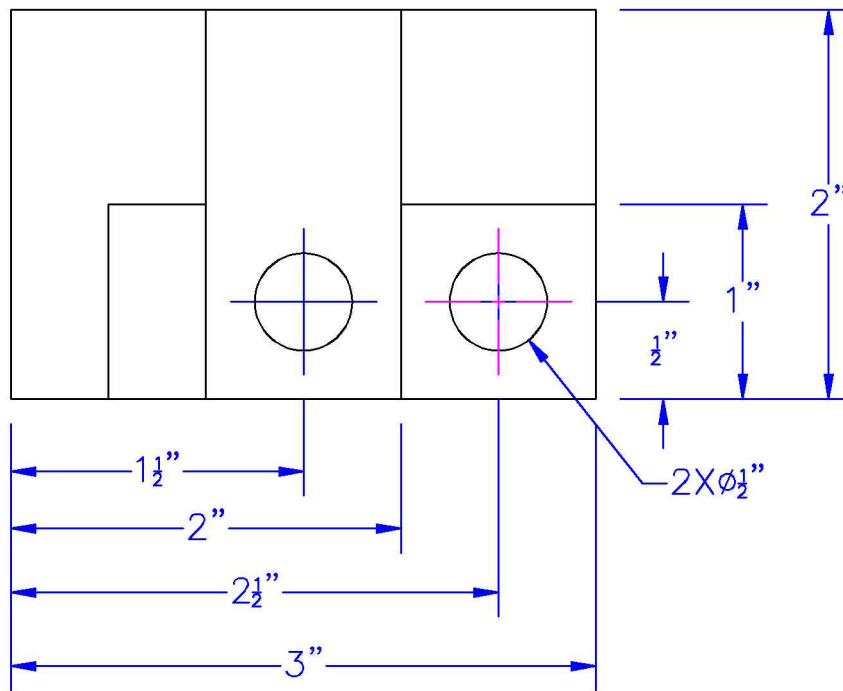
SCHOOL:	SCALE:	TITLE:	DRAWN BY:	DATE:	DRAWING #:
ARDREY KELL HIGH SCHOOL	.75	MULTIVIEW - 4	J. GLENN	07/31/2015	MV4



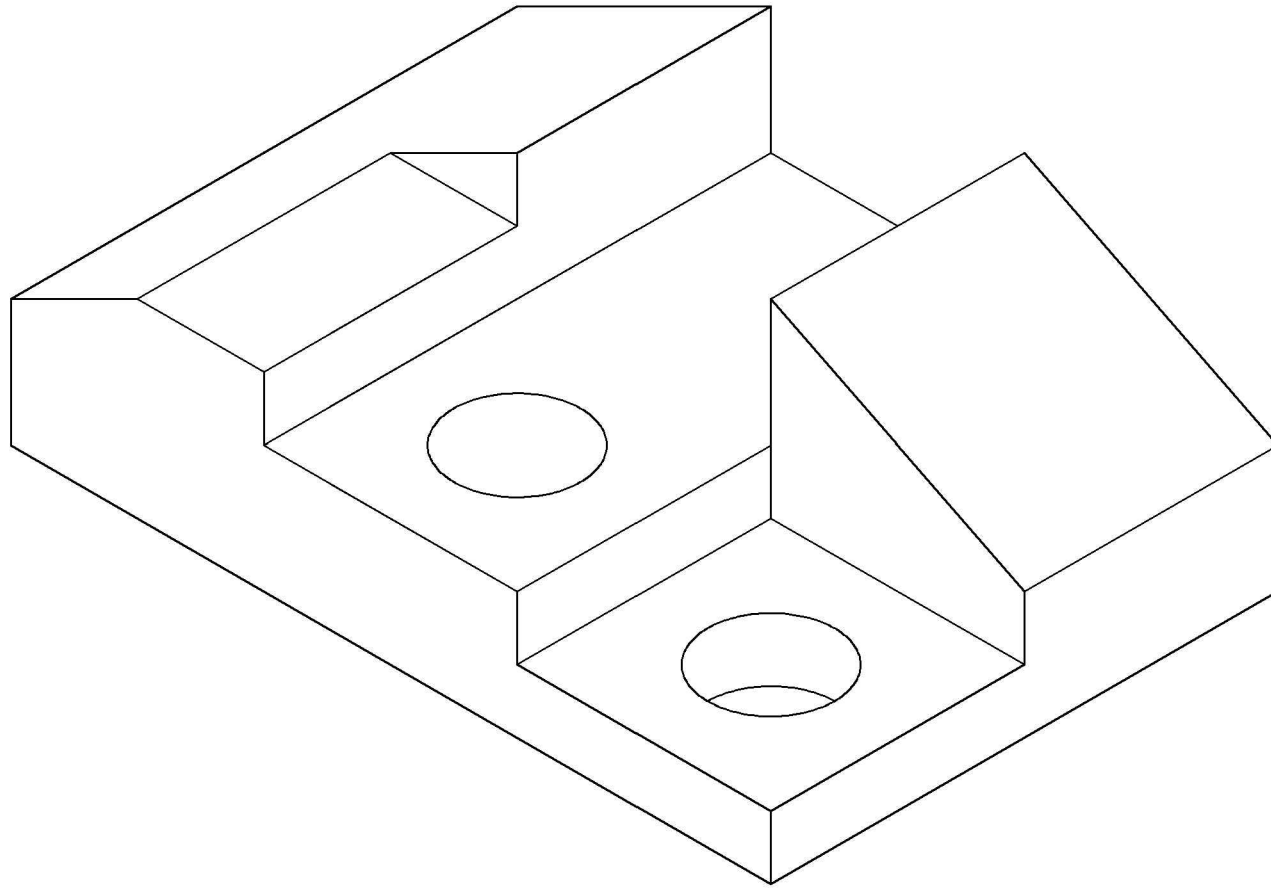
SCHOOL:	SCALE:	TITLE:	DRAWN BY:	DATE:	DRAWING #:
ARDREY KELL HIGH SCHOOL	1:1	ISOMETRIC -4	J. GLENN	07/31/2015	ISO4



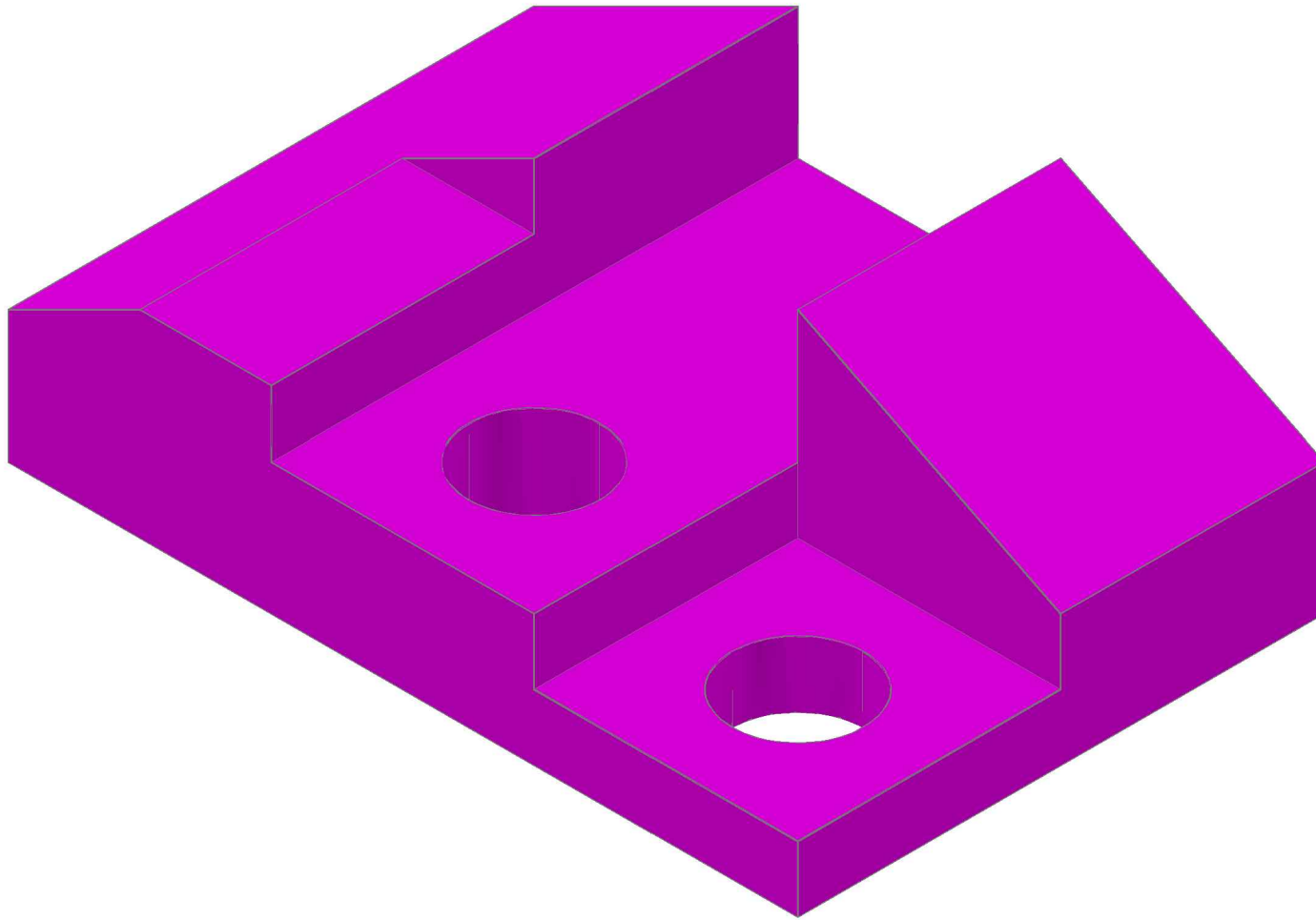
SCHOOL:	SCALE:	TITLE:	DRAWN BY:	DATE:	DRAWING #:
ARDREY KELL HIGH SCHOOL	1.5:1	SOLID MODEL - 4	J. GLENN	07/31/2015	SM4



SCHOOL:	SCALE:	TITLE:	DRAWN BY:	DATE:	DRAWING #:
ARDREY KELL HIGH SCHOOL	1:1	MULTIVIEW - 5	J. GLENN	07/31/2015	MV5



SCHOOL:	SCALE:	TITLE:	DRAWN BY:	DATE:	DRAWING #:
ARDREY KELL HIGH SCHOOL	1.5:1	ISOMETRIC -5	J. GLENN	07/31/2015	ISO5



SCHOOL:	SCALE:	TITLE:	DRAWN BY:	DATE:	DRAWING #:
ARDREY KELL HIGH SCHOOL	2:1	SOLID MODEL - 5	J. GLENN	07/31/2015	SM5