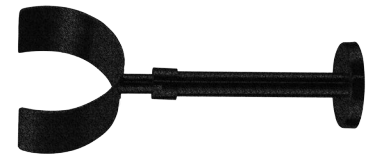
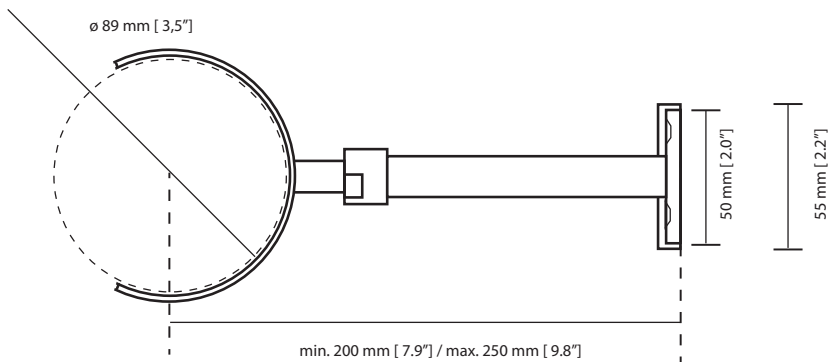




JEE-O soho wall bracket specifications



Note:
UV radiation and extreme temperature
can affect the color and structure of the
JEE-O fatline surface.

Article code: **701-6002** (structured powdercoated black finish)
Material: Stainless Steel r304
Coating: structured powdercoated black finish)

Dimension package: L 25 x W 15,5 x H 14 cm

Weight: 0.4 kg / 0.9 lbs
Package weight: 0.1 kg / 0.2 lbs

2 year warranty

HS code: 84818011900

www.purificare-us.com