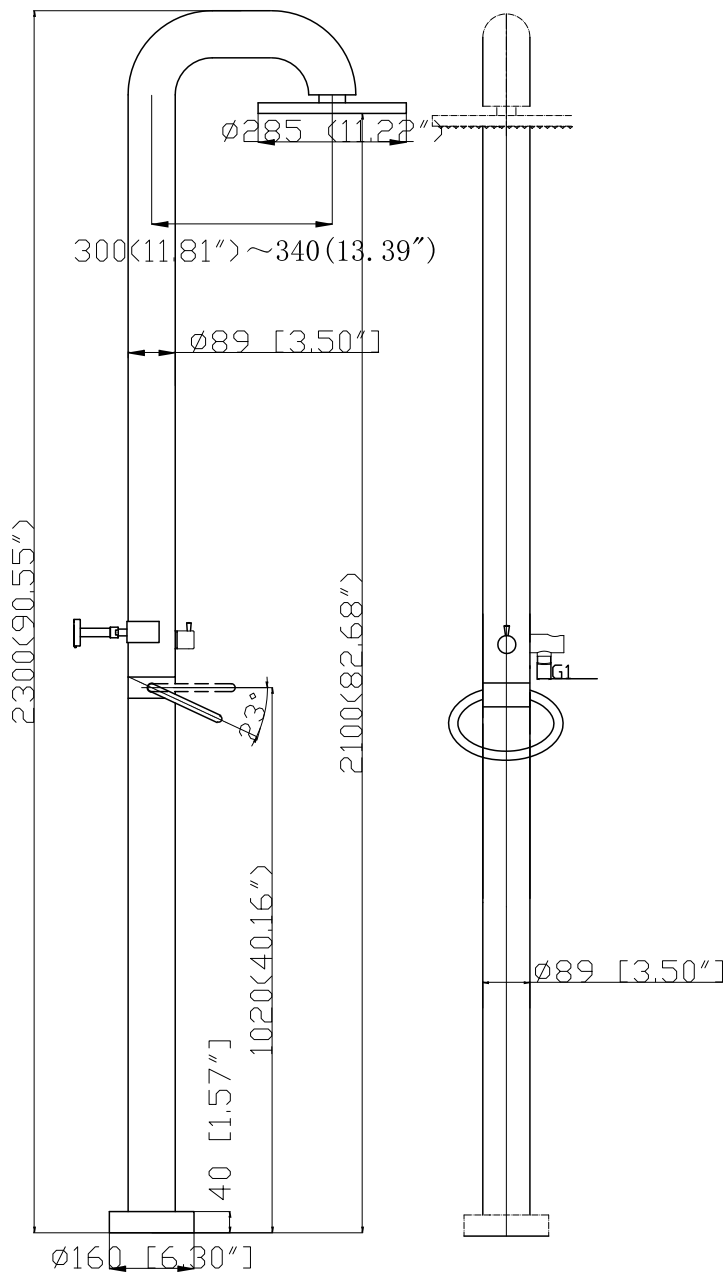
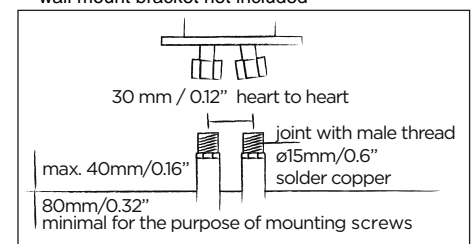




JEE-O fatline shower O2 specifications



Note:
 UV radiation and extreme temperature can affect the color and structure of the JEE-O fatline surface.
 ** wall mount bracket not included



Article code: **200-6210** (brushed)
200-6211 (polished)

Material: Stainless Steel r304
 Cartridge: Sedal ceramic mixing mechanism (40mm)
 Ceramic diverter mechanism

Connection: nylon^(out)/epdm⁽ⁱⁿ⁾ flexhose
 with brass swivel

Flexhose: 150 cm length

Flow at water of 38°C / 100,4°F: 12l / 3,2gal p/m at 3bar pressure

Dimension package: L 158 x W 18 W 54 x H 21 cm

Total weight: 17.6 kg / 38.8 lbs
 Package weight: 2.0 kg / 4.4 lbs

Placing on a water-tight floor

2 year warranty

HS code: 84818011900

www.purificare-us.com