

SAFELOK

Admiralty Bronze Tube Fittings

HIGH DUTY BRONZE METRIC TWIN FERRULE TUBE FITTINGS



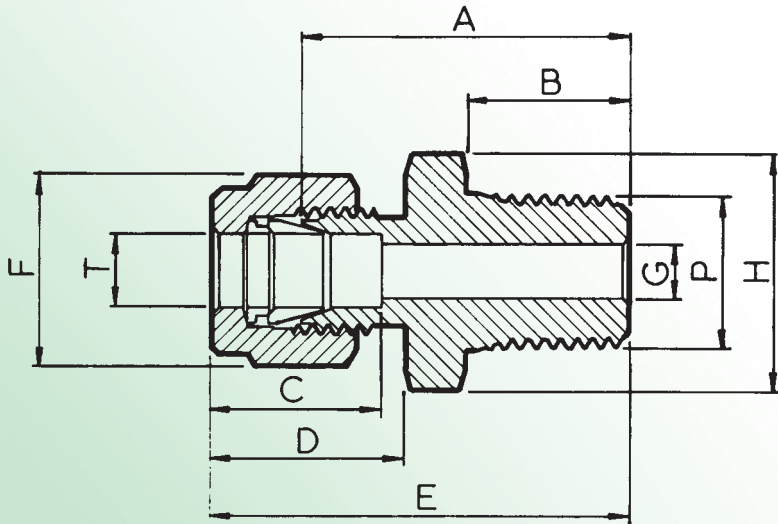
Contents

- Male Connector NPT
- Female Connector NPT
- Equal Union
- Reducing Union
- Bulkhead Union
- Equal Elbow
- Union Tee
- Reducing Adaptor
- Male Stud Standpipe Adaptor NPT
- Female Stud Standpipe Adaptor NPT
- Blanking End
- Blanking Plug
- Compression Nut
- Front & Back Sealing
- Pre-Assembly Instructions

SAFELOK

Admiralty Bronze Tube Fittings

MALE CONNECTOR NPT



Metric

| T TUBE OD | P PIPE THRD | PART NUMBER | A | B | C | D | E | F HEX | F HEX | H HEX | H HEX | G DIA | WGT Kg/100 |
|-----------------|-------------------|----------------|------|------|------|------|------|----------|----------|----------|----------|----------|---------------|
| 4 | 1/8 | 4m MC 2 | 25.4 | 9.5 | 14.5 | 16.9 | 32.8 | 13 | 1/2 | 13 | 7/16 | 2.8 | 2.2 |
| 4 | 1/4 | 4m MC 4 | 30.2 | 14.3 | 14.5 | 16.9 | 37.6 | 13 | 1/2 | 14 | 9/16 | 2.8 | 3.0 |
| 6 | 1/8 | 6m MC 2 | 25.4 | 9.5 | 16.1 | 18.5 | 33.6 | 14 | 9/16 | 14 | 9/16 | 4.7 | 2.5 |
| 6 | 1/4 | 6m MC 4 | 30.2 | 14.3 | 16.1 | 18.5 | 38.4 | 14 | 9/16 | 14 | 9/16 | 4.7 | 3.1 |
| 6 | 3/8 | 6m MC 6 | 31.0 | 14.3 | 16.1 | 18.5 | 39.2 | 14 | 9/16 | 17 | 11/16 | 4.7 | 4.7 |
| 6 | 1/2 | 6m MC 8 | 36.5 | 19.1 | 16.1 | 18.5 | 44.7 | 14 | 9/16 | 22 | 7/8 | 4.7 | 7.1 |
| 8 | 1/4 | 8m MC 4 | 31.8 | 14.3 | 16.9 | 19.3 | 40.0 | 16 | 5/8 | 14 | 9/16 | 6.4 | 3.9 |
| 8 | 3/8 | 8m MC 6 | 31.8 | 14.3 | 16.9 | 19.3 | 40.0 | 16 | 5/8 | 17 | 11/16 | 6.4 | 4.7 |
| 10 | 1/4 | 10m MC 4 | 32.5 | 14.3 | 17.7 | 20.1 | 40.7 | 19 | 3/4 | 17 | 11/16 | 7.1 | 4.8 |
| 10 | 3/8 | 10m MC 6 | 32.5 | 14.3 | 17.7 | 20.1 | 40.7 | 19 | 3/4 | 17 | 11/16 | 7.9 | 5.5 |
| 10 | 1/2 | 10m MC 8 | 38.1 | 19.1 | 17.7 | 20.1 | 46.3 | 19 | 3/4 | 22 | 7/8 | 7.9 | 7.3 |
| 12 | 1/4 | 12m MC 4 | 33.3 | 14.3 | 23.5 | 22.7 | 44.1 | 22 | 7/8 | 22 | 7/8 | 7.1 | 7.1 |
| 12 | 3/8 | 12m MC 6 | 33.3 | 14.3 | 23.5 | 22.7 | 44.1 | 22 | 7/8 | 22 | 7/8 | 9.5 | 7.6 |
| 12 | 1/2 | 12m MC 8 | 38.1 | 19.1 | 23.5 | 22.7 | 48.9 | 22 | 7/8 | 22 | 7/8 | 9.5 | 9.7 |
| 12 | 3/4 | 12m MC 12 | 38.9 | 19.1 | 23.5 | 22.7 | 49.2 | 22 | 7/8 | 29 | 1 1/8 | 10.3 | 11.2 |
| 16 | 1/2 | 16m MC 8 | 38.9 | 19.1 | 25.1 | 22.7 | 49.7 | 25 | 1 | 24 | 1 5/16 | 12.7 | 10.6 |
| 16 | 3/4 | 16m MC 12 | 38.9 | 19.1 | 25.1 | 22.7 | 49.7 | 25 | 1 | 27 | 1 1/16 | 12.7 | 12.7 |
| 20 | 1/2 | 20m MC 8 | 40.5 | 19.1 | 25.1 | 22.7 | 51.3 | 30 | 1 3/16 | 29 | 1 1/8 | 12.7 | 13.7 |
| 20 | 3/4 | 20m MC 12 | 40.5 | 19.1 | 25.1 | 22.7 | 51.3 | 30 | 1 3/16 | 29 | 1 1/8 | 16.7 | 15.4 |
| 25 | 3/4 | 25m MC 12 | 44.5 | 19.1 | 31.8 | 27.0 | 57.2 | 38 | 1 1/2 | 35 | 1 3/8 | 18.3 | 20.6 |
| 25 | 1 | 25m MC 16 | 50.0 | 23.8 | 31.8 | 27.0 | 62.7 | 38 | 1 1/2 | 38 | 1 1/2 | 22.2 | 27.1 |
| 30 | 1 | 30m MC 16 | 54.0 | 23.8 | 32.5 | 29.4 | 67.5 | 43 | 1 11/16 | 43 | 1 11/16 | 22.2 | 34.6 |
| 44.5 | 1 1/2 | 44.5m MC 24 | 61.1 | 25.4 | 34.8 | 32.4 | 76.8 | 60 | 2 3/8 | 57 | 2 1/4 | 35.0 | 70.6 |

Dimensions for Reference only.

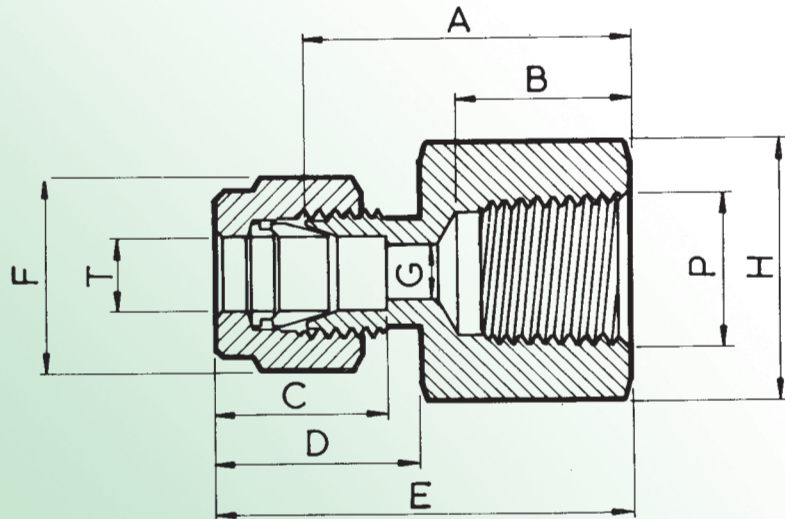


Certificate number 488/94

SAFELOK

Admiralty Bronze Tube Fittings

FEMALE CONNECTOR NPT



Metric

| T TUBE OD | P PIPE THRD | PART NUMBER | A | B | C | D | E | F HEX | F HEX | H HEX | H HEX | G DIA | WGT Kg/100 |
|-----------------|-------------------|----------------|------|------|------|------|------|----------|----------|----------|----------|----------|---------------|
| 4 | 1/8 | 4m FC 2 | 23.0 | 9.9 | 14.5 | 16.9 | 30.4 | 13 | 1/2 | 14 | 9/16 | 2.8 | 2.6 |
| 4 | 1/4 | 4m FC 4 | 27.8 | 15.0 | 14.5 | 16.9 | 35.2 | 13 | 1/2 | 19 | 3/4 | 2.8 | 4.6 |
| 6 | 1/8 | 6m FC 2 | 23.8 | 9.9 | 16.1 | 18.5 | 32.0 | 14 | 9/16 | 14 | 9/16 | 4.7 | 3.0 |
| 6 | 1/4 | 6m FC 4 | 28.6 | 15.0 | 16.1 | 18.5 | 36.8 | 14 | 9/16 | 19 | 3/4 | 4.7 | 5.0 |
| 6 | 3/8 | 6m FC 6 | 30.2 | 15.0 | 16.1 | 18.5 | 38.4 | 14 | 9/16 | 22 | 7/8 | 4.7 | 6.3 |
| 8 | 1/4 | 8m FC 4 | 29.4 | 15.0 | 16.9 | 19.3 | 37.6 | 16 | 5/8 | 19 | 3/4 | 6.4 | 5.6 |
| 8 | 3/8 | 8m FC 6 | 31.0 | 15.0 | 16.9 | 19.3 | 39.2 | 16 | 5/8 | 22 | 7/8 | 6.4 | 6.9 |
| 10 | 1/4 | 10m FC 4 | 30.2 | 15.0 | 17.7 | 20.1 | 38.4 | 19 | 3/4 | 19 | 3/4 | 7.9 | 5.8 |
| 10 | 3/8 | 10m FC 6 | 31.8 | 15.0 | 17.7 | 20.1 | 40.0 | 19 | 3/4 | 22 | 7/8 | 7.9 | 6.7 |
| 12 | 3/8 | 12m FC 6 | 31.8 | 15.0 | 23.5 | 22.7 | 42.6 | 22 | 7/8 | 22 | 7/8 | 9.5 | 8.1 |
| 12 | 1/2 | 12m FC 8 | 37.3 | 19.8 | 23.5 | 22.7 | 48.1 | 22 | 7/8 | 27 | 1 1/16 | 9.5 | 11.8 |
| 12 | 3/4 | 12m FC 12 | 38.1 | 20.6 | 23.0 | 22.7 | 48.4 | 22 | 7/8 | 33 | 1 5/16 | 9.5 | 15.7 |
| 16 | 1/4 | 16m FC 4 | 31.8 | 15.0 | 25.1 | 22.7 | 42.6 | 25 | 1 | 27 | 1 1/16 | 9.5 | 13.9 |
| 16 | 1/2 | 16m FC 8 | 37.3 | 19.8 | 25.1 | 22.7 | 48.1 | 25 | 1 | 29 | 1 1/8 | 12.7 | 15.4 |
| 20 | 1/2 | 20m FC 8 | 37.3 | 19.8 | 25.1 | 22.7 | 48.1 | 30 | 1 3/16 | 29 | 1 1/8 | 16.7 | 16.0 |
| 20 | 3/4 | 20m FC 12 | 41.3 | 20.6 | 25.1 | 22.7 | 52.1 | 30 | 1 3/16 | 33 | 1 5/16 | 16.7 | 21.0 |
| 25 | 3/4 | 25m FC 12 | 43.7 | 20.6 | 31.8 | 27.0 | 56.4 | 38 | 1 1/2 | 35 | 1 3/8 | 18.3 | 26.7 |
| 25 | 1 | 25m FC 16 | 50.8 | 25.4 | 31.8 | 27.0 | 63.5 | 38 | 1 1/2 | 43 | 1 11/16 | 22.0 | 37.5 |
| 30 | 1 | 30m FC 16 | 51.0 | 25.4 | 32.5 | 29.4 | 64.5 | 43 | 1 11/16 | 43 | 1 11/16 | 27.0 | 38.5 |
| 44.5 | 1 1/2 | 44.5m FC 24 | 61.9 | 26.2 | 34.8 | 32.4 | 75.3 | 60 | 2 3/8 | 57 | 2 1/4 | 41.3 | 79.5 |

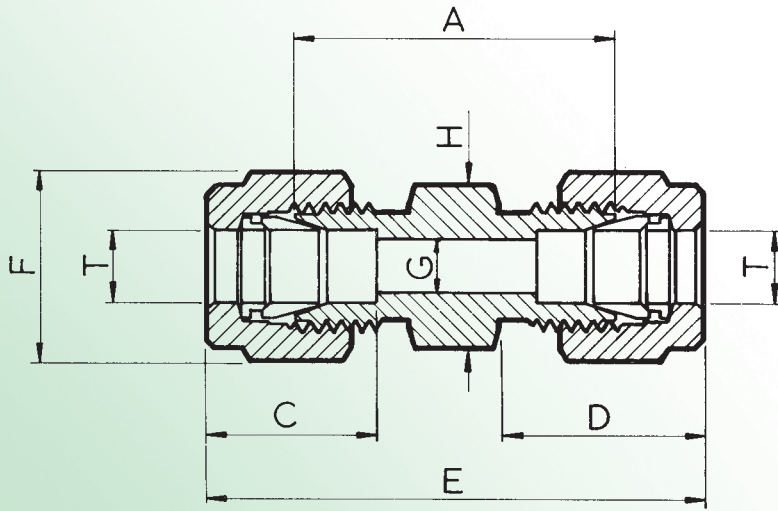
Dimensions for Reference only.



SAFELOK

Admiralty Bronze Tube Fittings

EQUAL UNION



Metric

| T TUBE OD | PART NUMBER | A | C | D | E | F HEX | F HEX | H HEX | H HEX | G DIA | WGT Kg/100 |
|-----------------|----------------|------|------|------|------|----------|----------|----------|----------|----------|---------------|
| 4 | 4m U | 25.4 | 14.5 | 16.9 | 40.2 | 13 | 1/2 | 13 | 1/2 | 2.8 | 1.9 |
| 6 | 6m U | 26.2 | 16.1 | 18.5 | 41.0 | 14 | 9/16 | 13 | 1/2 | 2.7 | 3.4 |
| 8 | 8m U | 28.2 | 16.9 | 19.3 | 44.6 | 16 | 5/8 | 14 | 9/16 | 6.4 | 4.9 |
| 10 | 10m U | 30.2 | 17.7 | 20.1 | 46.6 | 19 | 3/4 | 18 | 11/16 | 7.9 | 6.6 |
| 12 | 12m U | 30.9 | 23.5 | 22.7 | 52.9 | 22 | 7/8 | 22 | 7/8 | 9.5 | 10.2 |
| 16 | 16m U | 31.8 | 25.1 | 22.7 | 53.4 | 25 | 1 | 24 | 15/16 | 12.7 | 13.0 |
| 20 | 20m U | 34.1 | 25.1 | 22.7 | 55.7 | 30 | 1 3/16 | 29 | 1 1/8 | 16.7 | 16.9 |
| 25 | 25m U | 40.5 | 31.8 | 27.0 | 65.9 | 38 | 1 1/2 | 38 | 1 3/8 | 22.0 | 17.3 |
| 30 | 30m U | 47.6 | 32.5 | 29.4 | 74.6 | 43 | 1 11/16 | 43 | 1 11/16 | 27.0 | 37.4 |
| 44.5 | 44.5m U | 52.4 | 34.8 | 32.4 | 83.8 | 60 | 2 3/8 | 57 | 2 1/4 | 41.3 | 81.9 |

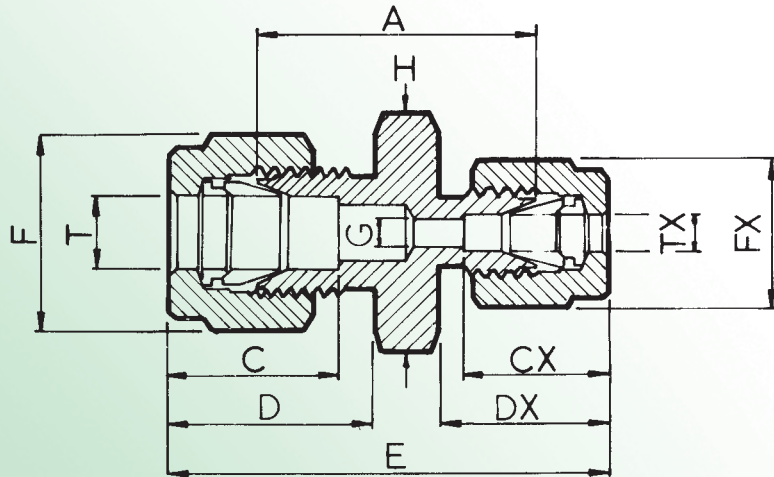
Dimensions for Reference only.



SAFELOK

Admiralty Bronze Tube Fittings

REDUCING UNION



Metric

| T TUBE OD | TX TUBE OD | PART NUMBER | A | C | CX | D | DX | E | F HEX | F HEX | FX HEX | FX HEX | H HEX | H HEX | G DIA | WGT Kg/100 |
|-----------------|------------------|----------------|------|------|------|------|------|------|----------|----------|-----------|-----------|----------|----------|----------|---------------|
| 6 | 4 | 6m RU 4 | 25.4 | 16.1 | 14.5 | 18.5 | 16.9 | 41.0 | 14 | 9/16 | 13 | 1/2 | 11 | 7/16 | 2.4 | 3.1 |
| 8 | 6 | 8m RU 6 | 27.4 | 16.9 | 16.1 | 19.3 | 18.5 | 43.8 | 16 | 5/8 | 13 | 1/2 | 14 | 9/16 | 4.8 | 4.2 |
| 10 | 6 | 10m RU 6 | 28.6 | 17.7 | 16.1 | 20.1 | 18.5 | 45.0 | 19 | 3/4 | 13 | 1/2 | 17 | 11/16 | 4.7 | 5.2 |
| 12 | 6 | 12m RU 6 | 29.4 | 23.5 | 16.1 | 22.7 | 18.5 | 47.8 | 22 | 7/8 | 13 | 1/2 | 22 | 7/8 | 4.7 | 7.3 |
| 12 | 10 | 12m RU 10 | 31.0 | 23.5 | 17.7 | 22.7 | 20.1 | 50.0 | 22 | 7/8 | 19 | 3/4 | 22 | 7/8 | 8.0 | 9.0 |
| 16 | 12 | 16m RU 10 | 31.8 | 25.1 | 23.5 | 22.7 | 22.7 | 53.4 | 25 | 1 | 22 | 7/8 | 24 | 15/16 | 9.5 | 12.3 |
| 20 | 12 | 20m RU 12 | 33.3 | 25.1 | 23.5 | 22.7 | 22.7 | 54.9 | 30 | 1 3/16 | 22 | 7/8 | 29 | 1 1/8 | 9.5 | 15.1 |
| 25 | 12 | 25m RU 12 | 37.3 | 31.8 | 23.5 | 27.0 | 22.7 | 60.8 | 38 | 1 1/2 | 22 | 7/8 | 38 | 1 1/2 | 9.5 | 22.2 |
| 25 | 16 | 25m RU 16 | 37.3 | 31.8 | 25.1 | 27.0 | 22.7 | 60.8 | 38 | 1 1/2 | 25 | 1 | 38 | 1 1/2 | 12.7 | 23.8 |
| 25 | 20 | 25m RU 20 | 37.3 | 31.8 | 25.1 | 27.0 | 22.7 | 60.8 | 38 | 1 1/2 | 30 | 1 3/16 | 38 | 1 1/2 | 12.7 | 24.6 |
| 30 | 25 | 30m RU 25 | 43.7 | 32.5 | 31.8 | 29.4 | 27.0 | 72.2 | 43 | 1 11/16 | 38 | 1 1/2 | 43 | 1 11/16 | 22.0 | 40.5 |
| 44.5 | 25 | 44.5m RU 25 | 45.4 | 34.8 | 31.8 | 32.4 | 27.0 | 79.8 | 60 | 2 3/8 | 38 | 1 1/2 | 57 | 2 1/4 | 22.0 | 74.2 |
| 44.5 | 30 | 44.5m RU 30 | 49.3 | 34.8 | 32.5 | 32.4 | 29.4 | 80.8 | 60 | 2 3/8 | 43 | 1 11/16 | 57 | 2 1/4 | 27.0 | 74.2 |

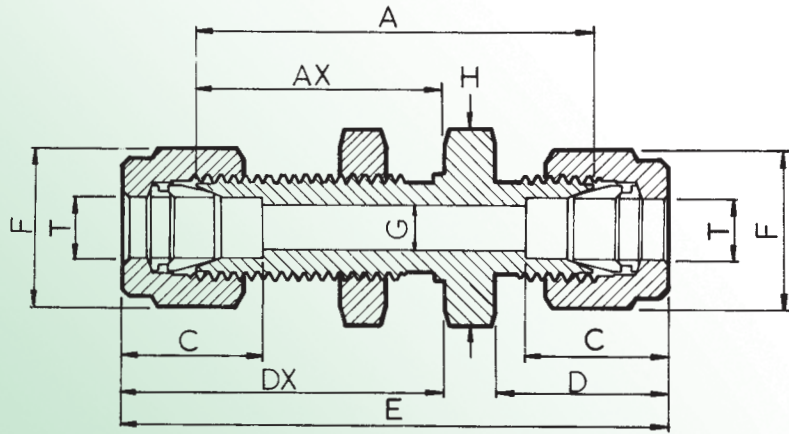
Dimensions for Reference only.



SAFELOK

Admiralty Bronze Tube Fittings

BULKHEAD UNION



Metric

| T TUBE OD | PART NUMBER | A | AX | C | D | DX | E | F HEX | F HEX | H HEX | H HEX | G DIA | PANEL HOLE DRILL SIZE | PANEL THICK- NESS MAX | WGT Kg/100 |
|-----------------|----------------|------|------|------|------|------|-------|----------|----------|----------|----------|----------|--------------------------------|--------------------------------|---------------|
| 4 | 4m BHU | 41.3 | 25.4 | 14.5 | 16.9 | 32.8 | 56.1 | 13 | 1/2 | 15 | 9/16 | 2.8 | 10.1 | 11 | 4.6 |
| 6 | 6m BHU | 42.8 | 26.2 | 16.1 | 18.5 | 34.4 | 59.2 | 14 | 9/16 | 18 | 11/16 | 4.7 | 11.5 | 11 | 5.5 |
| 8 | 8m BHU | 46.0 | 28.6 | 16.9 | 19.3 | 36.8 | 62.4 | 16 | 5/8 | 19 | 3/4 | 6.4 | 13.0 | 12 | 7.6 |
| 10 | 10m BHU | 47.6 | 29.4 | 17.7 | 20.1 | 37.6 | 64.0 | 19 | 3/4 | 22 | 7/8 | 7.9 | 16.5 | 12 | 10.3 |
| 12 | 12m BHU | 50.8 | 31.8 | 23.5 | 22.7 | 42.6 | 72.4 | 22 | 7/8 | 25 | 15/16 | 9.5 | 19.5 | 13 | 14.7 |
| 16 | 16m BHU | 52.4 | 32.5 | 25.1 | 22.7 | 43.3 | 74.0 | 25 | 1 | 30 | 1 1/8 | 12.7 | 23.0 | 13 | 19.0 |
| 20 | 20m BHU | 58.7 | 37.3 | 25.1 | 22.7 | 48.1 | 80.3 | 30 | 1 3/16 | 34 | 1 5/16 | 15.8 | 28.0 | 16 | 24.2 |
| 25 | 25m BHU | 71.4 | 45.2 | 31.8 | 27.0 | 58.0 | 96.8 | 38 | 1 1/2 | 38 | 1 1/2 | 22.0 | 34.0 | 18 | 40.7 |
| 30 | 30m BHU | 81.7 | 50.0 | 32.5 | 29.4 | 63.5 | 108.7 | 43 | 1 11/16 | 43 | 1 11/16 | 27.0 | 39.0 | 20 | 42.0 |
| 44.5 | 44.5m BHU | 89.4 | 56.0 | 34.8 | 32.4 | 69.4 | 119.8 | 60 | 2 3/8 | 57 | 2 1/4 | 41.3 | 54.5 | 26 | 88.0 |

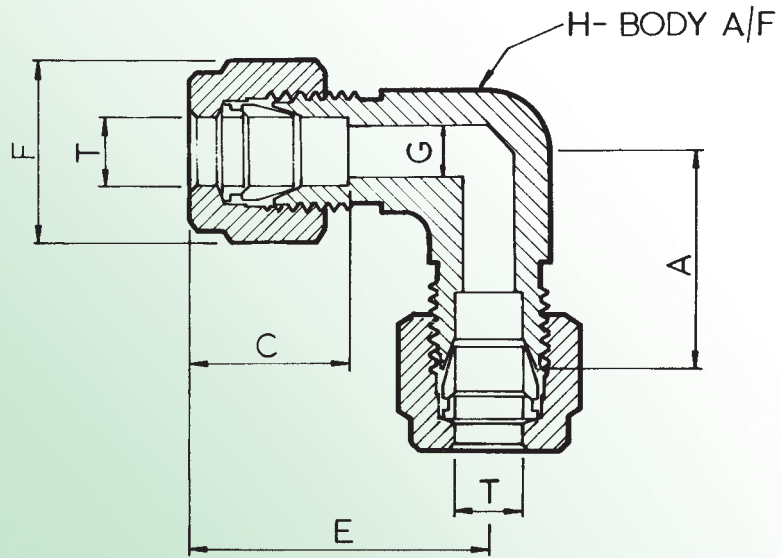
Dimensions for Reference only.



SAFELOK

Admiralty Bronze Tube Fittings

EQUAL ELBOW



Metric

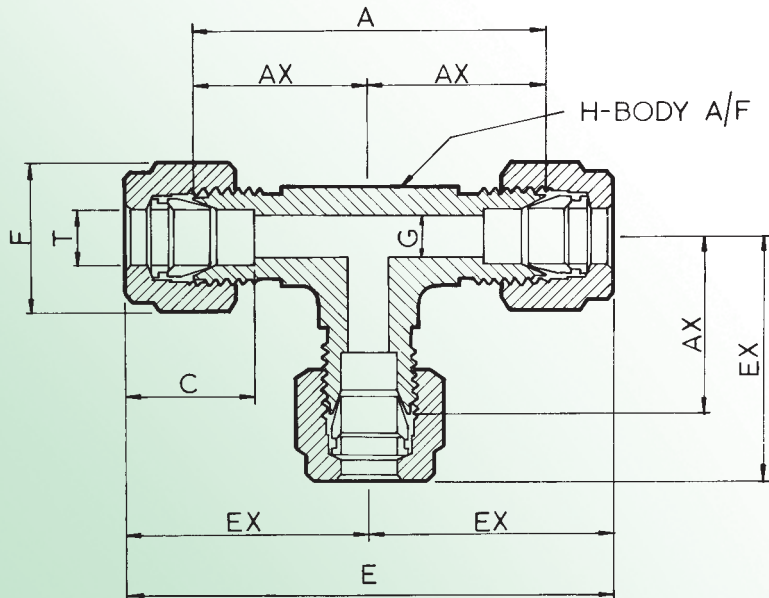
| T TUBE OD | PART NUMBER | A | C | E | F HEX | F HEX | H A/F | H A/F | G DIA | WGT Kg/100 |
|-----------------|----------------|------|------|------|----------|----------|----------|----------|----------|---------------|
| 4 | 4m ELU | 19.8 | 14.5 | 28.8 | 13 | 1/2 | 13 | 1/2 | 2.8 | 4.1 |
| 6 | 6m ELU | 20.6 | 16.1 | 28.8 | 14 | 9/16 | 13 | 1/2 | 4.7 | 4.5 |
| 8 | 8m ELU | 22.2 | 16.9 | 30.4 | 16 | 5/8 | 14 | 9/16 | 6.3 | 6.4 |
| 10 | 10m ELU | 23.8 | 17.7 | 32.0 | 19 | 3/4 | 14 | 9/16 | 7.9 | 7.4 |
| 12 | 12m ELU | 25.0 | 23.5 | 35.8 | 22 | 7/8 | 17 | 11/16 | 9.5 | 12.2 |
| 16 | 16m ELU | 27.0 | 25.1 | 37.8 | 25 | 1 | 24 | 15/16 | 12.7 | 16.8 |
| 20 | 20m ELU | 33.3 | 25.1 | 44.1 | 30 | 1 3/16 | 30 | 1 3/16 | 16.7 | 19.1 |
| 25 | 25m ELU | 35.7 | 31.8 | 48.4 | 38 | 1 1/2 | 32 | 1 1/4 | 22.2 | 30.2 |
| 30 | 30m ELU | 44.5 | 32.5 | 58.0 | 43 | 1 11/16 | 43 | 1 11/16 | 27.0 | 51.7 |
| 44.5 | 44.5m ELU | 62.0 | 34.8 | 77.7 | 60 | 2 3/8 | 54 | 2 1/8 | 41.3 | 183.0 |

Dimensions for Reference only.



Admiralty Bronze Tube Fittings

UNION TEE



Metric

| T TUBE OD | PART NUMBER | A | AX | C | E | EX | F HEX | F HEX | H A/F | H A/F | G DIA | WGT Kg/100 |
|-----------------|----------------|-------|------|------|-------|------|----------|----------|----------|----------|----------|---------------|
| 4 | 4m TTT | 41.2 | 39.6 | 19.8 | 57.6 | 28.8 | 13 | 1/2 | 13 | 1/2 | 2.8 | 5.6 |
| 6 | 6m TTT | 41.2 | 20.6 | 16.1 | 57.6 | 28.8 | 14 | 9/16 | 13 | 1/2 | 4.7 | 6.5 |
| 8 | 8m TTT | 44.4 | 22.2 | 16.9 | 60.8 | 30.4 | 16 | 5/8 | 14 | 9/16 | 6.3 | 9.2 |
| 10 | 10m TTT | 46.0 | 23.0 | 17.7 | 62.4 | 31.2 | 19 | 3/4 | 14 | 9/16 | 7.9 | 10.4 |
| 12 | 12m TTT | 50.0 | 25.0 | 23.5 | 71.6 | 35.8 | 22 | 7/8 | 17 | 11/16 | 9.5 | 16.9 |
| 16 | 16m TTT | 54.0 | 27.0 | 25.1 | 75.6 | 37.8 | 25 | 1 | 24 | 15/16 | 12.7 | 26.0 |
| 20 | 20m TTT | 66.6 | 33.3 | 25.1 | 88.2 | 44.1 | 30 | 1 3/16 | 24 | 15/16 | 16.7 | 33.1 |
| 25 | 25m TTT | 71.4 | 35.7 | 31.8 | 96.8 | 48.4 | 38 | 1 1/2 | 32 | 1 1/4 | 22.2 | 48.0 |
| 30 | 30m TTT | 92.0 | 46.0 | 32.5 | 119.0 | 59.5 | 43 | 1 11/16 | 43 | 1 11/16 | 27.0 | 81.0 |
| 44.5 | 44.5m TTT | 124.0 | 62.0 | 34.8 | 155.4 | 77.7 | 60 | 2 3/8 | 54 | 2 1/8 | 41.3 | 274.5 |

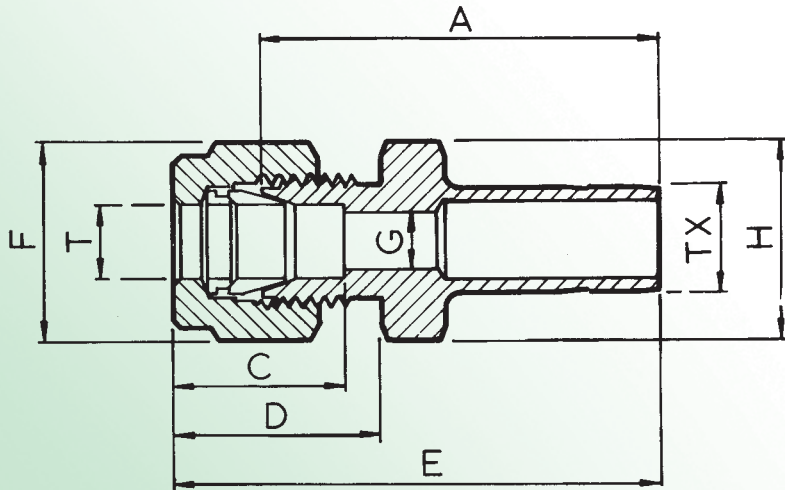
Dimensions for Reference only.



SAFELOK

Admiralty Bronze Tube Fittings

REDUCING ADAPTOR



Metric

| T TUBE OD | TX | PART NUMBER | A | C | D | E | F HEX | F HEX | H HEX | H HEX | G DIA | WGT Kg/100 |
|-----------------|------|----------------|------|------|------|------|----------|----------|----------|----------|----------|---------------|
| 4 | 6 | 4m RED 6 | 31.0 | 14.5 | 16.9 | 38.4 | 13 | 1/2 | 11 | 7/16 | 2.4 | 1.9 |
| 6 | 8 | 6m RED 8 | 33.3 | 16.1 | 18.5 | 41.5 | 14 | 9/16 | 11 | 7/16 | 4.7 | 2.4 |
| 6 | 10 | 6m RED 10 | 34.1 | 16.1 | 18.5 | 42.3 | 14 | 9/16 | 14 | 9/16 | 4.7 | 2.8 |
| 6 | 12 | 6m RED 12 | 39.7 | 16.1 | 18.5 | 47.9 | 14 | 9/16 | 14 | 9/16 | 4.7 | 3.4 |
| 8 | 10 | 8m RED 10 | 35.3 | 16.9 | 19.3 | 43.6 | 16 | 5/8 | 14 | 9/16 | 6.3 | 3.5 |
| 8 | 12 | 8m RED 12 | 40.9 | 16.9 | 19.3 | 49.1 | 16 | 5/8 | 14 | 9/16 | 6.4 | 4.0 |
| 10 | 12 | 10m RED 12 | 42.1 | 17.7 | 20.1 | 50.3 | 19 | 3/4 | 17 | 11/16 | 8.0 | 5.0 |
| 12 | 16 | 12m RED 16 | 44.4 | 23.5 | 22.7 | 55.2 | 22 | 7/8 | 22 | 7/8 | 9.5 | 7.6 |
| 16 | 25 | 16m RED 25 | 52.0 | 25.1 | 22.7 | 62.8 | 25 | 1 | 29 | 1 1/8 | 12.7 | 14.3 |
| 20 | 25 | 20m RED 25 | 54.4 | 25.1 | 22.7 | 65.2 | 30 | 1 3/16 | 29 | 1 1/8 | 16.7 | 15.5 |
| 25 | 30 | 25m RED 30 | 59.5 | 31.8 | 27.0 | 72.2 | 38 | 1 1/2 | 35 | 1 3/8 | 22.2 | 22.8 |
| 25 | 44.5 | 25m RED 44.5 | 64.3 | 31.8 | 27.0 | 77.0 | 38 | 1 1/2 | 49 | 1 15/16 | 22.2 | 37.5 |
| 30 | 44.5 | 30m RED 44.5 | 66.7 | 32.5 | 29.4 | 80.2 | 43 | 1 11/16 | 49 | 1 15/16 | 27.0 | 42.2 |

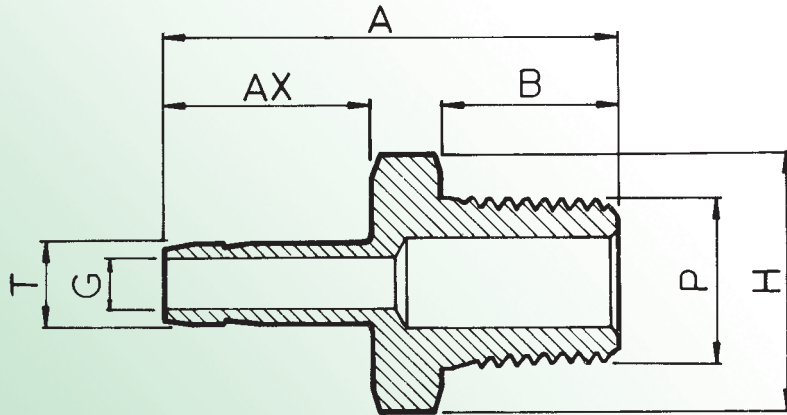
Dimensions for Reference only.



SAFELOK

Admiralty Bronze Tube Fittings

MALE STUD STANDPIPE ADAPTOR NPT



Metric

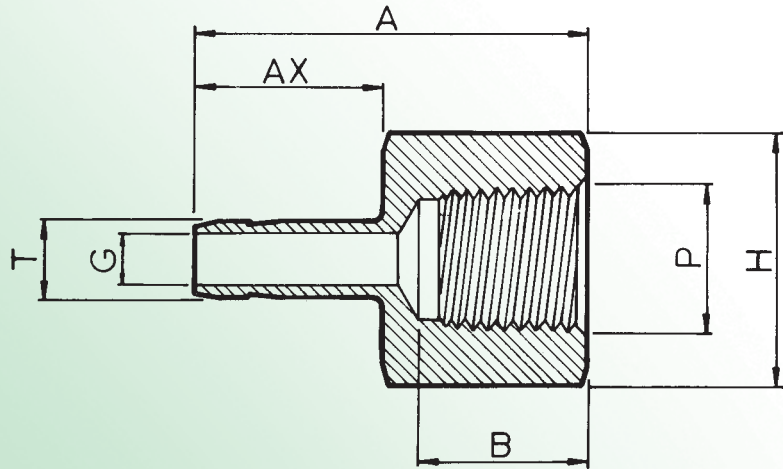
| T TUBE OD | P PIPE THRD | PART NUMBER | A | AX | B | H HEX | H HEX | G DIA | WGT Kg/100 |
|-----------------|-------------------|----------------|------|------|------|----------|----------|----------|---------------|
| 4 | 1/8 | 4m ATPM 2 | 28.6 | 13.5 | 9.5 | 11 | 7/16 | 2.0 | 1.0 |
| 6 | 1/8 | 6m ATPM 2 | 31.8 | 16.7 | 9.5 | 11 | 7/16 | 4.0 | 1.4 |
| 6 | 1/4 | 6m ATPM 4 | 36.5 | 16.7 | 14.3 | 14 | 9/16 | 4.0 | 1.7 |
| 6 | 1/2 | 6m ATPM 8 | 42.9 | 16.7 | 19.1 | 22 | 7/8 | 4.0 | 4.9 |
| 10 | 1/4 | 10m ATPM 4 | 38.1 | 18.3 | 14.3 | 14 | 9/16 | 7.1 | 2.1 |
| 10 | 3/8 | 10m ATPM 6 | 38.9 | 18.3 | 14.3 | 17 | 11/16 | 7.1 | 2.8 |
| 10 | 1/2 | 10m ATPM 8 | 44.5 | 18.3 | 19.1 | 22 | 7/8 | 7.1 | 5.1 |
| 12 | 1/4 | 12m ATPM 4 | 44.5 | 23.8 | 14.3 | 14 | 9/16 | 7.1 | 2.8 |
| 12 | 3/8 | 12m ATPM 6 | 44.5 | 23.8 | 14.3 | 17 | 11/16 | 8.3 | 3.8 |
| 12 | 1/2 | 12m ATPM 8 | 50.0 | 23.8 | 19.1 | 22 | 7/8 | 8.3 | 5.9 |
| 12 | 3/4 | 12m ATPM 12 | 50.8 | 23.8 | 19.1 | 29 | 1 1/8 | 8.3 | 8.7 |
| 16 | 1/2 | 16m ATPM 8 | 52.4 | 25.4 | 19.1 | 22 | 7/8 | 12.3 | 6.1 |
| 16 | 3/4 | 16m ATPM 12 | 52.4 | 25.4 | 19.1 | 29 | 1 1/8 | 12.3 | 7.6 |
| 20 | 3/4 | 20m ATPM 12 | 56.3 | 27.0 | 19.1 | 29 | 1 1/8 | 16.5 | 9.1 |
| 20 | 1 | 20m ATPM 16 | 61.9 | 27.0 | 23.8 | 38 | 1 1/2 | 15.5 | 13.8 |
| 25 | 3/4 | 25m ATPM 12 | 60.7 | 32.1 | 19.1 | 29 | 1 1/8 | 19.1 | 12.3 |
| 30 | 1 | 30m ATPM 16 | 63.6 | 33.4 | 25.4 | 43 | 1 11/16 | 25.4 | 20.5 |
| 44.5 | 1 1/2 | 44.5m ATPM 24 | 78.6 | 38.1 | 26.2 | 57 | 2 1/4 | 38.1 | 48.2 |

Dimensions for Reference only.



Admiralty Bronze Tube Fittings

FEMALE STUD STANDPIPE ADAPTOR NPT



Metric

| T TUBE OD | P PIPE THRD | PART NUMBER | A | AX | B | H HEX | H HEX | G DIA | WGT Kg/100 |
|-----------------|-------------------|----------------|------|------|------|----------|----------|----------|---------------|
| 4 | 1/4 | 4m ATPF 4 | 34.1 | 15.9 | 15.0 | 19 | 3/4 | 2.8 | 3.0 |
| 6 | 1/4 | 6m ATPF 4 | 34.9 | 16.7 | 15.0 | 19 | 3/4 | 3.9 | 3.1 |
| 6 | 3/8 | 6m ATPF 6 | 36.5 | 16.7 | 15.0 | 22 | 7/8 | 3.9 | 4.4 |
| 6 | 1/2 | 6m ATPF 8 | 42.1 | 16.7 | 19.8 | 27 | 1 1/16 | 3.9 | 7.9 |
| 8 | 1/4 | 8m ATPF 4 | 35.7 | 17.5 | 15.0 | 19 | 3/4 | 5.5 | 4.5 |
| 8 | 3/8 | 8m ATPF 6 | 37.3 | 17.5 | 15.0 | 22 | 7/8 | 5.5 | 4.8 |
| 10 | 1/4 | 10m ATPF 4 | 36.5 | 18.3 | 15.0 | 19 | 3/4 | 7.1 | 3.5 |
| 10 | 3/8 | 10m ATPF 6 | 38.1 | 18.3 | 15.0 | 22 | 7/8 | 7.1 | 5.0 |
| 10 | 1/2 | 10m ATPF 8 | 43.7 | 18.3 | 19.8 | 27 | 1 1/16 | 7.1 | 8.2 |
| 12 | 1/4 | 12m ATPF 4 | 42.1 | 23.8 | 15.0 | 19 | 3/4 | 8.3 | 4.1 |
| 12 | 3/8 | 12m ATPF 6 | 43.7 | 23.8 | 15.0 | 22 | 7/8 | 8.3 | 5.2 |
| 12 | 1/2 | 12m ATPF 8 | 49.2 | 23.8 | 19.8 | 27 | 1 1/16 | 8.3 | 8.5 |
| 16 | 1/4 | 16m ATPF 4 | 46.8 | 25.4 | 15.0 | 19 | 3/4 | 12.3 | 5.7 |
| 16 | 1/2 | 16m ATPF 8 | 50.8 | 25.4 | 19.8 | 27 | 1 1/16 | 12.3 | 9.5 |
| 20 | 3/4 | 20m ATPF 12 | 52.4 | 27.0 | 20.6 | 33 | 1 5/16 | 15.5 | 6.8 |
| 20 | 1 | 20m ATPF 16 | 57.2 | 27.0 | 25.4 | 43 | 1 11/16 | 15.5 | 10.0 |
| 25 | 3/4 | 25m ATPF 12 | 57.5 | 32.1 | 20.6 | 33 | 1 5/16 | 15.5 | 16.0 |
| 30 | 1 | 30m ATPF 16 | 63.6 | 33.4 | 25.4 | 43 | 1 11/16 | 25.4 | 24.8 |
| 44.5 | 1 1/2 | 44.5m ATPF 24 | 78.6 | 38.1 | 26.2 | 57 | 2 1/4 | 38.1 | 64.8 |

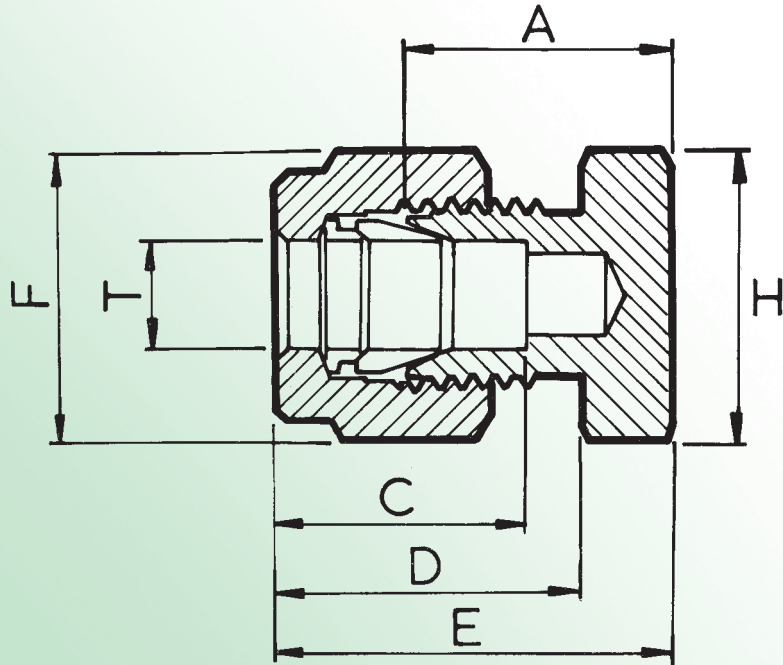
Dimensions for Reference only.



SAFELOK

Admiralty Bronze Tube Fittings

BLANKING END



Metric

| T TUBE OD | PART NUMBER | A | C | D | E | F HEX | F HEX | H HEX | H HEX | WGT Kg/100 |
|-----------------|----------------|------|------|------|------|----------|----------|----------|----------|---------------|
| 4 | 4m BE | 15.1 | 14.5 | 16.9 | 22.5 | 13 | 1/2 | 11 | 7/16 | 1.9 |
| 6 | 6m BE | 15.9 | 16.1 | 18.5 | 24.1 | 14 | 9/16 | 13 | 1/2 | 2.1 |
| 8 | 8m BE | 17.1 | 16.9 | 19.3 | 25.3 | 16 | 5/8 | 14 | 9/16 | 3.0 |
| 10 | 10m BE | 18.3 | 17.7 | 20.1 | 26.5 | 19 | 3/4 | 17 | 11/16 | 3.8 |
| 12 | 12m BE | 19.1 | 23.5 | 22.7 | 29.9 | 22 | 7/8 | 22 | 7/8 | 6.3 |
| 16 | 16m BE | 23.0 | 25.1 | 22.7 | 33.8 | 25 | 1 | 24 | 15/16 | 9.0 |
| 20 | 20m BE | 25.4 | 25.1 | 22.7 | 36.2 | 30 | 1 3/16 | 29 | 1 1/8 | 12.7 |
| 25 | 25m BE | 28.6 | 31.8 | 27.0 | 41.3 | 38 | 1 1/2 | 38 | 1 1/2 | 15.2 |
| 30 | 30m BE | 31.8 | 32.5 | 29.4 | 45.3 | 43 | 1 11/16 | 43 | 1 11/16 | 29.9 |
| 44.5 | 44.5m BE | 38.1 | 34.8 | 32.4 | 54.6 | 60 | 2 3/8 | 54 | 2 1/4 | 70.9 |

Dimensions for Reference only.



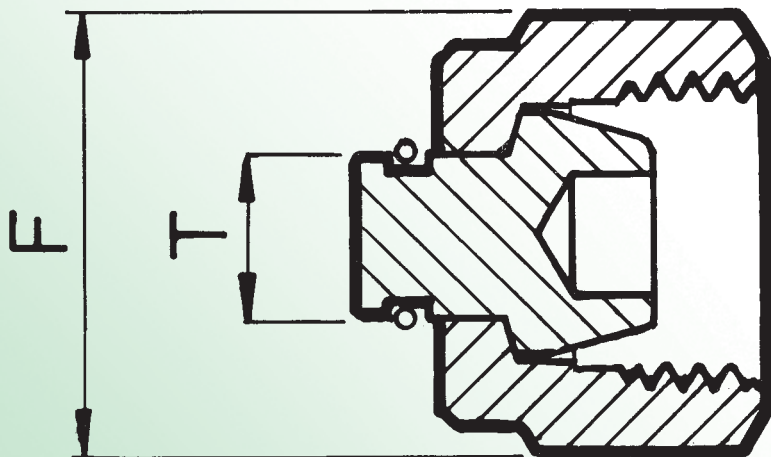
Certificate number 488/94



SAFELOK

Admiralty Bronze Tube Fittings

BLANKING PLUG



ASSEMBLY INSTRUCTIONS

To tighten plug, turn nut only $\frac{1}{6}$ of a turn with spanner from finger tight position.

Metric

| T TUBE OD | PART NUMBER | F HEX | F HEX | WGT Kg/100 |
|-----------------|----------------|----------|------------------|---------------|
| 4 | 4m BP | 13 | $\frac{1}{2}$ | 1.1 |
| 6 | 6m BP | 14 | $\frac{9}{16}$ | 1.4 |
| 8 | 8m BP | 16 | $\frac{5}{8}$ | 2.1 |
| 10 | 10m BP | 19 | $\frac{3}{4}$ | 2.7 |
| 12 | 12m BP | 22 | $\frac{7}{8}$ | 4.2 |
| 16 | 16m BP | 25 | 1 | 7.5 |
| 20 | 20m BP | 30 | $1\frac{3}{16}$ | 12.3 |
| 25 | 25m BP | 38 | $1\frac{1}{2}$ | 16.7 |
| 30 | 30m BP | 43 | $1\frac{11}{16}$ | 17.2 |
| 44.5 | 44.5m BP | 60 | $2\frac{3}{8}$ | 34.1 |

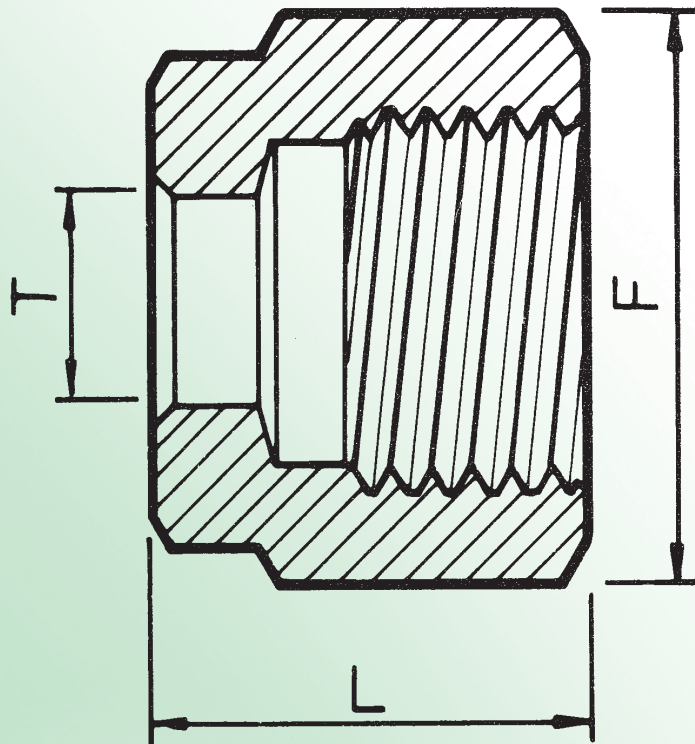
Dimensions for Reference only.



SAFELOK

Admiralty Bronze Tube Fittings

COMPRESSION NUT



Metric

| T TUBE OD | PART NUMBER | L | F HEX | F HEX | WGT Kg/100 |
|-----------------|----------------|------|----------|----------|---------------|
| 4 | 4m N | 11.9 | 13 | 1/2 | 0.7 |
| 6 | 6m N | 12.7 | 14 | 9/16 | 0.9 |
| 8 | 8m N | 13.5 | 16 | 5/8 | 1.5 |
| 10 | 10m N | 14.3 | 19 | 3/4 | 1.7 |
| 12 | 12m N | 17.4 | 22 | 7/8 | 2.5 |
| 16 | 16m N | 17.5 | 25 | 1 | 3.8 |
| 20 | 20m N | 17.5 | 30 | 1 3/16 | 4.5 |
| 25 | 25m N | 20.6 | 38 | 1 1/2 | 7.4 |
| 30 | 30m N | 23.8 | 43 | 1 11/16 | 9.0 |
| 44.5 | 44.5m N | 28.0 | 60 | 2 3/8 | 21.7 |

Dimensions for Reference only.



Admiralty Bronze Tube Fittings

FRONT SEALRING

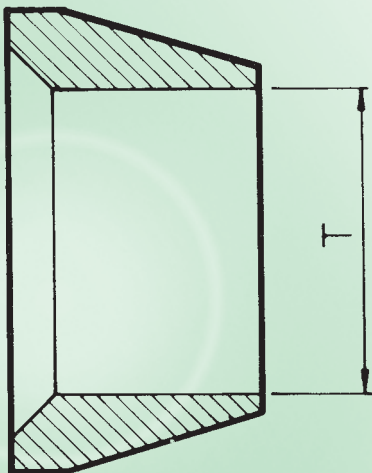
BACK SEALRING

Metric

FRONT SEALRING

| T TUBE OD | PART NUMBER | WGT Kg/100 |
|-----------------|----------------|---------------|
| 4 | 4m FC | 0.1 |
| 6 | 6m FC | 0.1 |
| 8 | 8m FC | 0.2 |
| 10 | 10m FC | 0.25 |
| 12 | 12m FC | 0.3 |
| 16 | 16m FC | 0.4 |
| 20 | 20m FC | 0.45 |
| 25 | 25m FC | 1.2 |
| 30 | 30m FC | 1.4 |
| 44.5 | 44.5m FC | 1.85 |

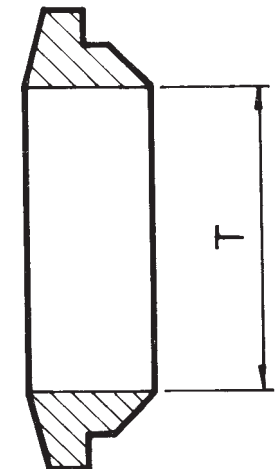
Dimensions for Reference only.



BACK SEALRING

| T TUBE OD | PART NUMBER | WGT Kg/100 |
|-----------------|----------------|---------------|
| 4 | 4m RC | 0.05 |
| 6 | 6m RC | 0.1 |
| 8 | 8m RC | 0.15 |
| 10 | 10m RC | 0.17 |
| 12 | 12m RC | 0.2 |
| 16 | 16m RC | 0.2 |
| 20 | 20m RC | 0.25 |
| 25 | 25m RC | 0.3 |
| 30 | 30m RC | 0.4 |
| 44.5 | 44.5m RC | 0.65 |

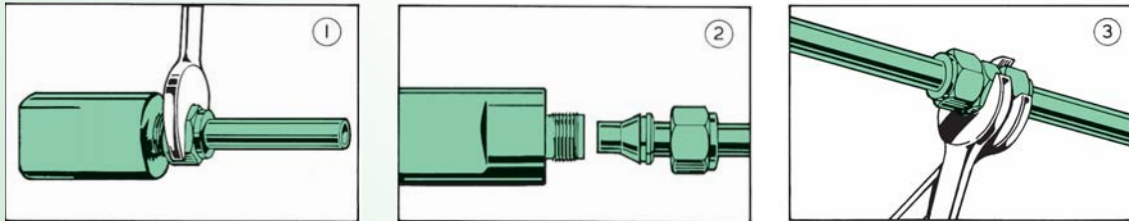
Dimensions for Reference only.



Admiralty Bronze Tube Fittings

HIGH DUTY BRONZE METRIC TWIN FERRULE TUBE FITTINGS

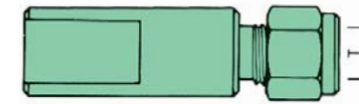
Pre-Assembly Instructions



It is recommended that when couplings are to be installed in confined spaces or in locations where accessibility for insitu assembly presents difficulties, pre-assembly of the coupling joint is undertaken. The joint is broken and then inserted into the coupling body until the sealing seals firmly. Tighten the nut until a rise in torque is felt, then tighten the nut a further small amount to ensure the assembly is positively sealed.

Pre-Assembly Tool

A special pre-assembly tool (hardened to withstand repeated assemblies) is held in a vice, the prepared tube is inserted and the joint assembled as in our assembly instructions.



Assembly Instructions

All Safelok fittings are complete with front ferrules, back ferrules and nuts ready for assembly onto the tubes. To make a joint simply insert the tube into the fitting ensuring that the end of the tube is firmly seated in the bore of the body.

Now tighten the nut $1\frac{1}{4}$ turns while holding the body of the fitting with a spanner or in a vice. It is recommended that the nut is marked prior to tightening to ensure that the correct amount of tightening is applied.

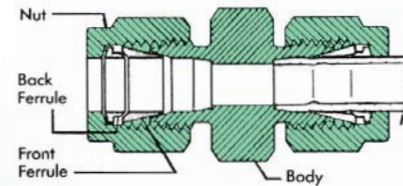


TABLE OF RECOMMENDED CUPRO NICKEL TUBES FOR ALUMINIUM BRONZE COUPLINGS

| OUTSIDE DIAMETER mm | MINIMUM WALL THICKNESS mm | MAXIMUM WALL THICKNESS mm |
|------------------------|------------------------------|------------------------------|
| 6 | 0.7 | 1.5 |
| 10 | 1.0 | 2.5 |
| 12 | 1.0 | 2.5 |
| 16 | 1.0 | 3.0 |
| 25 | 1.5 | 3.0 |
| 30 | 1.5 | 3.0 |
| 44.5 | 1.5 | 3.0 |

MALE CONNECTOR NPT

Metric

| T TUBE OD | P PIPE THRD | PART NUMBER | A | B | C | D | E | F HEX | F HEX | H HEX | H HEX | G DIA | WGT Kg/100 |
|-----------------|-------------------|----------------|------|------|------|------|------|----------|----------|----------|----------|----------|---------------|
| 4 | 1/8 | 4m MC 2 | 25.4 | 9.5 | 14.5 | 16.9 | 32.8 | 13 | 1/2 | 13 | 7/16 | 2.8 | 2.2 |
| 4 | 1/4 | 4m MC 4 | 30.2 | 14.3 | 14.5 | 16.9 | 37.6 | 13 | 1/2 | 14 | 9/16 | 2.8 | 3.0 |
| 6 | 1/8 | 6m MC 2 | 25.4 | 9.5 | 16.1 | 18.5 | 33.6 | 14 | 9/16 | 14 | 9/16 | 4.7 | 2.5 |
| 6 | 1/4 | 6m MC 4 | 30.2 | 14.3 | 16.1 | 18.5 | 38.4 | 14 | 9/16 | 14 | 9/16 | 4.7 | 3.1 |
| 6 | 3/8 | 6m MC 6 | 31.0 | 14.3 | 16.1 | 18.5 | 39.2 | 14 | 9/16 | 17 | 11/16 | 4.7 | 4.7 |
| 6 | 1/2 | 6m MC 8 | 36.5 | 19.1 | 16.1 | 18.5 | 44.7 | 14 | 9/16 | 22 | 7/8 | 4.7 | 7.1 |
| 8 | 1/4 | 8m MC 4 | 31.8 | 14.3 | 16.9 | 19.3 | 40.0 | 16 | 5/8 | 14 | 9/16 | 6.4 | 3.9 |
| 8 | 3/8 | 8m MC 6 | 31.8 | 14.3 | 16.9 | 19.3 | 40.0 | 16 | 5/8 | 17 | 11/16 | 6.4 | 4.7 |
| 10 | 1/4 | 10m MC 4 | 32.5 | 14.3 | 17.7 | 20.1 | 40.7 | 19 | 3/4 | 17 | 11/16 | 7.1 | 4.8 |
| 10 | 3/8 | 10m MC 6 | 32.5 | 14.3 | 17.7 | 20.1 | 40.7 | 19 | 3/4 | 17 | 11/16 | 7.9 | 5.5 |
| 10 | 1/2 | 10m MC 8 | 38.1 | 19.1 | 17.7 | 20.1 | 46.3 | 19 | 3/4 | 22 | 7/8 | 7.9 | 7.3 |
| 12 | 1/4 | 12m MC 4 | 33.3 | 14.3 | 23.5 | 22.7 | 44.1 | 22 | 7/8 | 22 | 7/8 | 7.1 | 7.1 |
| 12 | 3/8 | 12m MC 6 | 33.3 | 14.3 | 23.5 | 22.7 | 44.1 | 22 | 7/8 | 22 | 7/8 | 9.5 | 7.6 |
| 12 | 1/2 | 12m MC 8 | 38.1 | 19.1 | 23.5 | 22.7 | 48.9 | 22 | 7/8 | 22 | 7/8 | 9.5 | 9.7 |
| 12 | 3/4 | 12m MC 12 | 38.9 | 19.1 | 23.5 | 22.7 | 49.2 | 22 | 7/8 | 29 | 1 1/8 | 10.3 | 11.2 |
| 16 | 1/2 | 16m MC 8 | 38.9 | 19.1 | 25.1 | 22.7 | 49.7 | 25 | 1 | 24 | 15/16 | 12.7 | 10.6 |
| 16 | 3/4 | 16m MC 12 | 38.9 | 19.1 | 25.1 | 22.7 | 49.7 | 25 | 1 | 27 | 1 1/16 | 12.7 | 12.7 |
| 20 | 1/2 | 20m MC 8 | 40.5 | 19.1 | 25.1 | 22.7 | 51.3 | 30 | 1 3/16 | 29 | 1 1/8 | 12.7 | 13.7 |
| 20 | 3/4 | 20m MC 12 | 40.5 | 19.1 | 25.1 | 22.7 | 51.3 | 30 | 1 3/16 | 29 | 1 1/8 | 16.7 | 15.4 |
| 25 | 3/4 | 25m MC 12 | 44.5 | 19.1 | 31.8 | 27.0 | 57.2 | 38 | 1 1/2 | 35 | 1 3/8 | 18.3 | 20.6 |
| 25 | 1 | 25m MC 16 | 50.0 | 23.8 | 31.8 | 27.0 | 62.7 | 38 | 1 1/2 | 38 | 1 1/2 | 22.2 | 27.1 |
| 30 | 1 | 30m MC 16 | 54.0 | 23.8 | 32.5 | 29.4 | 67.5 | 43 | 1 11/16 | 43 | 1 11/16 | 22.2 | 34.6 |
| 44.5 | 1 1/2 | 44.5m MC 24 | 61.1 | 25.4 | 34.8 | 32.4 | 76.8 | 60 | 2 3/8 | 57 | 2 1/4 | 35.0 | 70.6 |



FEMALE CONNECTOR NPT

Metric

| T TUBE OD | P PIPE THRD | PART NUMBER | A | B | C | D | E | F HEX | F HEX | H HEX | H HEX | G DIA | WGT Kg/100 |
|-----------------|-------------------|----------------|------|------|------|------|------|----------|----------|----------|----------|----------|---------------|
| 4 | 1/8 | 4m FC 2 | 23.0 | 9.9 | 14.5 | 16.9 | 30.4 | 13 | 1/2 | 14 | 9/16 | 2.8 | 2.6 |
| 4 | 1/4 | 4m FC 4 | 27.8 | 15.0 | 14.5 | 16.9 | 35.2 | 13 | 1/2 | 19 | 3/4 | 2.8 | 4.6 |
| 6 | 1/8 | 6m FC 2 | 23.8 | 9.9 | 16.1 | 18.5 | 32.0 | 14 | 9/16 | 14 | 9/16 | 4.7 | 3.0 |
| 6 | 1/4 | 6m FC 4 | 28.6 | 15.0 | 16.1 | 18.5 | 36.8 | 14 | 9/16 | 19 | 3/4 | 4.7 | 5.0 |
| 6 | 3/8 | 6m FC 6 | 30.2 | 15.0 | 16.1 | 18.5 | 38.4 | 14 | 9/16 | 22 | 7/8 | 4.7 | 6.3 |
| 8 | 1/4 | 8m FC 4 | 29.4 | 15.0 | 16.9 | 19.3 | 37.6 | 16 | 5/8 | 19 | 3/4 | 6.4 | 5.6 |
| 8 | 3/8 | 8m FC 6 | 31.0 | 15.0 | 16.9 | 19.3 | 39.2 | 16 | 5/8 | 22 | 7/8 | 6.4 | 6.9 |
| 10 | 1/4 | 10m FC 4 | 30.2 | 15.0 | 17.7 | 20.1 | 38.4 | 19 | 3/4 | 19 | 3/4 | 7.9 | 5.8 |
| 10 | 3/8 | 10m FC 6 | 31.8 | 15.0 | 17.7 | 20.1 | 40.0 | 19 | 3/4 | 22 | 7/8 | 7.9 | 6.7 |
| 12 | 3/8 | 12m FC 6 | 31.8 | 15.0 | 23.5 | 22.7 | 42.6 | 22 | 7/8 | 22 | 7/8 | 9.5 | 8.1 |
| 12 | 1/2 | 12m FC 8 | 37.3 | 19.8 | 23.5 | 22.7 | 48.1 | 22 | 7/8 | 27 | 1 1/16 | 9.5 | 11.8 |
| 12 | 3/4 | 12m FC 12 | 38.1 | 20.6 | 23.0 | 22.7 | 48.4 | 22 | 7/8 | 33 | 1 5/16 | 9.5 | 15.7 |
| 16 | 1/4 | 16m FC 4 | 31.8 | 15.0 | 25.1 | 22.7 | 42.6 | 25 | 1 | 27 | 1 1/16 | 9.5 | 13.9 |
| 16 | 1/2 | 16m FC 8 | 37.3 | 19.8 | 25.1 | 22.7 | 48.1 | 25 | 1 | 29 | 1 1/8 | 12.7 | 15.4 |
| 20 | 1/2 | 20m FC 8 | 37.3 | 19.8 | 25.1 | 22.7 | 48.1 | 30 | 1 3/16 | 29 | 1 1/8 | 16.7 | 16.0 |
| 20 | 3/4 | 20m FC 12 | 41.3 | 20.6 | 25.1 | 22.7 | 52.1 | 30 | 1 3/16 | 33 | 1 5/16 | 16.7 | 21.0 |
| 25 | 3/4 | 25m FC 12 | 43.7 | 20.6 | 31.8 | 27.0 | 56.4 | 38 | 1 1/2 | 35 | 1 3/8 | 18.3 | 26.7 |
| 25 | 1 | 25m FC 16 | 50.8 | 25.4 | 31.8 | 27.0 | 63.5 | 38 | 1 1/2 | 43 | 1 11/16 | 22.0 | 37.5 |
| 30 | 1 | 30m FC 16 | 51.0 | 25.4 | 32.5 | 29.4 | 64.5 | 43 | 1 11/16 | 43 | 1 11/16 | 27.0 | 38.5 |
| 44.5 | 1 1/2 | 44.5m FC 24 | 61.9 | 26.2 | 34.8 | 32.4 | 75.3 | 60 | 2 3/8 | 57 | 2 1/4 | 41.3 | 79.5 |

Dimensions for Reference only.



back



print window

EQUAL UNION

Metric

| <i>T</i> TUBE OD | <i>PART</i> NUMBER | <i>A</i> | <i>C</i> | <i>D</i> | <i>E</i> | <i>F</i> HEX | <i>F</i> HEX | <i>H</i> HEX | <i>H</i> HEX | <i>G</i> DIA | <i>WGT</i> Kg/100 |
|------------------------|-----------------------|----------|----------|----------|----------|-----------------|-----------------|-----------------|-----------------|-----------------|----------------------|
| 4 | 4m U | 25.4 | 14.5 | 16.9 | 40.2 | 13 | 1/2 | 13 | 1/2 | 2.8 | 1.9 |
| 6 | 6m U | 26.2 | 16.1 | 18.5 | 41.0 | 14 | 9/16 | 13 | 1/2 | 2.7 | 3.4 |
| 8 | 8m U | 28.2 | 16.9 | 19.3 | 44.6 | 16 | 5/8 | 14 | 9/16 | 6.4 | 4.9 |
| 10 | 10m U | 30.2 | 17.7 | 20.1 | 46.6 | 19 | 3/4 | 18 | 11/16 | 7.9 | 6.6 |
| 12 | 12m U | 30.9 | 23.5 | 22.7 | 52.9 | 22 | 7/8 | 22 | 7/8 | 9.5 | 10.2 |
| 16 | 16m U | 31.8 | 25.1 | 22.7 | 53.4 | 25 | 1 | 24 | 15/16 | 12.7 | 13.0 |
| 20 | 20m U | 34.1 | 25.1 | 22.7 | 55.7 | 30 | 1 3/16 | 29 | 1 1/8 | 16.7 | 16.9 |
| 25 | 25m U | 40.5 | 31.8 | 27.0 | 65.9 | 38 | 1 1/2 | 38 | 1 3/8 | 22.0 | 17.3 |
| 30 | 30m U | 47.6 | 32.5 | 29.4 | 74.6 | 43 | 1 11/16 | 43 | 1 11/16 | 27.0 | 37.4 |
| 44.5 | 44.5m U | 52.4 | 34.8 | 32.4 | 83.8 | 60 | 2 3/8 | 57 | 2 1/4 | 41.3 | 81.9 |

Dimensions for Reference only.



REDUCING UNION

Metric

| T TUBE OD | TX TUBE OD | PART NUMBER | A | C | CX | D | DX | E | F HEX | F HEX | FX HEX | FX HEX | H HEX | H HEX | G DIA | WGT Kg/100 |
|-----------------|------------------|----------------|------|------|------|------|------|------|----------|------------------|-----------|------------------|----------|------------------|----------|---------------|
| 6 | 4 | 6m RU 4 | 25.4 | 16.1 | 14.5 | 18.5 | 16.9 | 41.0 | 14 | $\frac{9}{16}$ | 13 | $\frac{1}{2}$ | 11 | $\frac{7}{16}$ | 2.4 | 3.1 |
| 8 | 6 | 8m RU 6 | 27.4 | 16.9 | 16.1 | 19.3 | 18.5 | 43.8 | 16 | $\frac{5}{8}$ | 13 | $\frac{1}{2}$ | 14 | $\frac{9}{16}$ | 4.8 | 4.2 |
| 10 | 6 | 10m RU 6 | 28.6 | 17.7 | 16.1 | 20.1 | 18.5 | 45.0 | 19 | $\frac{3}{4}$ | 13 | $\frac{1}{2}$ | 17 | $\frac{11}{16}$ | 4.7 | 5.2 |
| 12 | 6 | 12m RU 6 | 29.4 | 23.5 | 16.1 | 22.7 | 18.5 | 47.8 | 22 | $\frac{7}{8}$ | 13 | $\frac{1}{2}$ | 22 | $\frac{7}{8}$ | 4.7 | 7.3 |
| 12 | 10 | 12m RU 10 | 31.0 | 23.5 | 17.7 | 22.7 | 20.1 | 50.0 | 22 | $\frac{7}{8}$ | 19 | $\frac{3}{4}$ | 22 | $\frac{7}{8}$ | 8.0 | 9.0 |
| 16 | 12 | 16m RU 10 | 31.8 | 25.1 | 23.5 | 22.7 | 22.7 | 53.4 | 25 | 1 | 22 | $\frac{7}{8}$ | 24 | $\frac{15}{16}$ | 9.5 | 12.3 |
| 20 | 12 | 20m RU 12 | 33.3 | 25.1 | 23.5 | 22.7 | 22.7 | 54.9 | 30 | $1\frac{3}{16}$ | 22 | $\frac{7}{8}$ | 29 | $1\frac{1}{8}$ | 9.5 | 15.1 |
| 25 | 12 | 25m RU 12 | 37.3 | 31.8 | 23.5 | 27.0 | 22.7 | 60.8 | 38 | $1\frac{1}{2}$ | 22 | $\frac{7}{8}$ | 38 | $1\frac{1}{2}$ | 9.5 | 22.2 |
| 25 | 16 | 25m RU 16 | 37.3 | 31.8 | 25.1 | 27.0 | 22.7 | 60.8 | 38 | $1\frac{1}{2}$ | 25 | 1 | 38 | $1\frac{1}{2}$ | 12.7 | 23.8 |
| 25 | 20 | 25m RU 20 | 37.3 | 31.8 | 25.1 | 27.0 | 22.7 | 60.8 | 38 | $1\frac{1}{2}$ | 30 | $1\frac{3}{16}$ | 38 | $1\frac{1}{2}$ | 12.7 | 24.6 |
| 30 | 25 | 30m RU 25 | 43.7 | 32.5 | 31.8 | 29.4 | 27.0 | 72.2 | 43 | $1\frac{11}{16}$ | 38 | $1\frac{1}{2}$ | 43 | $1\frac{11}{16}$ | 22.0 | 40.5 |
| 44.5 | 25 | 44.5m RU 25 | 45.4 | 34.8 | 31.8 | 32.4 | 27.0 | 79.8 | 60 | $2\frac{3}{8}$ | 38 | $1\frac{1}{2}$ | 57 | $2\frac{1}{4}$ | 22.0 | 74.2 |
| 44.5 | 30 | 44.5m RU 30 | 49.3 | 34.8 | 32.5 | 32.4 | 29.4 | 80.8 | 60 | $2\frac{3}{8}$ | 43 | $1\frac{11}{16}$ | 57 | $2\frac{1}{4}$ | 27.0 | 74.2 |

Dimensions for Reference only.

BULKHEAD UNION

Metric

| T TUBE OD | PART NUMBER | A | AX | C | D | DX | E | F HEX | F HEX | H HEX | H HEX | G DIA | PANEL HOLE DRILL SIZE | PANEL THICK- NESS MAX | WGT Kg/100 |
|-----------------|----------------|------|------|------|------|------|-------|----------|----------|----------|----------|----------|--------------------------------|--------------------------------|---------------|
| 4 | 4m BHU | 41.3 | 25.4 | 14.5 | 16.9 | 32.8 | 56.1 | 13 | 1/2 | 15 | 9/16 | 2.8 | 10.1 | 11 | 4.6 |
| 6 | 6m BHU | 42.8 | 26.2 | 16.1 | 18.5 | 34.4 | 59.2 | 14 | 9/16 | 18 | 11/16 | 4.7 | 11.5 | 11 | 5.5 |
| 8 | 8m BHU | 46.0 | 28.6 | 16.9 | 19.3 | 36.8 | 62.4 | 16 | 5/8 | 19 | 3/4 | 6.4 | 13.0 | 12 | 7.6 |
| 10 | 10m BHU | 47.6 | 29.4 | 17.7 | 20.1 | 37.6 | 64.0 | 19 | 3/4 | 22 | 7/8 | 7.9 | 16.5 | 12 | 10.3 |
| 12 | 12m BHU | 50.8 | 31.8 | 23.5 | 22.7 | 42.6 | 72.4 | 22 | 7/8 | 25 | 15/16 | 9.5 | 19.5 | 13 | 14.7 |
| 16 | 16m BHU | 52.4 | 32.5 | 25.1 | 22.7 | 43.3 | 74.0 | 25 | 1 | 30 | 1 1/8 | 12.7 | 23.0 | 13 | 19.0 |
| 20 | 20m BHU | 58.7 | 37.3 | 25.1 | 22.7 | 48.1 | 80.3 | 30 | 1 3/16 | 34 | 1 5/16 | 15.8 | 28.0 | 16 | 24.2 |
| 25 | 25m BHU | 71.4 | 45.2 | 31.8 | 27.0 | 58.0 | 96.8 | 38 | 1 1/2 | 38 | 1 1/2 | 22.0 | 34.0 | 18 | 40.7 |
| 30 | 30m BHU | 81.7 | 50.0 | 32.5 | 29.4 | 63.5 | 108.7 | 43 | 1 11/16 | 43 | 1 11/16 | 27.0 | 39.0 | 20 | 42.0 |
| 44.5 | 44.5m BHU | 89.4 | 56.0 | 34.8 | 32.4 | 69.4 | 119.8 | 60 | 2 3/8 | 57 | 2 1/4 | 41.3 | 54.5 | 26 | 88.0 |

Dimensions for Reference only.

EQUAL ELBOW

Metric

| T TUBE OD | PART NUMBER | A | C | E | F HEX | F HEX | H A/F | H A/F | G DIA | WGT Kg/100 |
|-----------------|----------------|------|------|------|----------|----------|----------|----------|----------|---------------|
| 4 | 4m ELU | 19.8 | 14.5 | 28.8 | 13 | 1/2 | 13 | 1/2 | 2.8 | 4.1 |
| 6 | 6m ELU | 20.6 | 16.1 | 28.8 | 14 | 9/16 | 13 | 1/2 | 4.7 | 4.5 |
| 8 | 8m ELU | 22.2 | 16.9 | 30.4 | 16 | 5/8 | 14 | 9/16 | 6.3 | 6.4 |
| 10 | 10m ELU | 23.8 | 17.7 | 32.0 | 19 | 3/4 | 14 | 9/16 | 7.9 | 7.4 |
| 12 | 12m ELU | 25.0 | 23.5 | 35.8 | 22 | 7/8 | 17 | 11/16 | 9.5 | 12.2 |
| 16 | 16m ELU | 27.0 | 25.1 | 37.8 | 25 | 1 | 24 | 15/16 | 12.7 | 16.8 |
| 20 | 20m ELU | 33.3 | 25.1 | 44.1 | 30 | 1 3/16 | 30 | 1 3/16 | 16.7 | 19.1 |
| 25 | 25m ELU | 35.7 | 31.8 | 48.4 | 38 | 1 1/2 | 32 | 1 1/4 | 22.2 | 30.2 |
| 30 | 30m ELU | 44.5 | 32.5 | 58.0 | 43 | 1 11/16 | 43 | 1 11/16 | 27.0 | 51.7 |
| 44.5 | 44.5m ELU | 62.0 | 34.8 | 77.7 | 60 | 2 3/8 | 54 | 2 1/8 | 41.3 | 183.0 |

Dimensions for Reference only.

UNION TEE

Metric

| T TUBE OD | PART NUMBER | A | AX | C | E | EX | F HEX | F HEX | H A/F | H A/F | G DIA | WGT Kg/100 |
|-----------------|----------------|-------|------|------|-------|------|----------|----------|----------|----------|----------|---------------|
| 4 | 4m TTT | 41.2 | 39.6 | 19.8 | 57.6 | 28.8 | 13 | 1/2 | 13 | 1/2 | 2.8 | 5.6 |
| 6 | 6m TTT | 41.2 | 20.6 | 16.1 | 57.6 | 28.8 | 14 | 9/16 | 13 | 1/2 | 4.7 | 6.5 |
| 8 | 8m TTT | 44.4 | 22.2 | 16.9 | 60.8 | 30.4 | 16 | 5/8 | 14 | 9/16 | 6.3 | 9.2 |
| 10 | 10m TTT | 46.0 | 23.0 | 17.7 | 62.4 | 31.2 | 19 | 3/4 | 14 | 9/16 | 7.9 | 10.4 |
| 12 | 12m TTT | 50.0 | 25.0 | 23.5 | 71.6 | 35.8 | 22 | 7/8 | 17 | 11/16 | 9.5 | 16.9 |
| 16 | 16m TTT | 54.0 | 27.0 | 25.1 | 75.6 | 37.8 | 25 | 1 | 24 | 15/16 | 12.7 | 26.0 |
| 20 | 20m TTT | 66.6 | 33.3 | 25.1 | 88.2 | 44.1 | 30 | 1 3/16 | 24 | 15/16 | 16.7 | 33.1 |
| 25 | 25m TTT | 71.4 | 35.7 | 31.8 | 96.8 | 48.4 | 38 | 1 1/2 | 32 | 1 1/4 | 22.2 | 48.0 |
| 30 | 30m TTT | 92.0 | 46.0 | 32.5 | 119.0 | 59.5 | 43 | 1 11/16 | 43 | 1 11/16 | 27.0 | 81.0 |
| 44.5 | 44.5m TTT | 124.0 | 62.0 | 34.8 | 155.4 | 77.7 | 60 | 2 3/8 | 54 | 2 1/8 | 41.3 | 274.5 |

Dimensions for Reference only.

REDUCING ADAPTOR

Metric

| T TUBE OD | TX | PART NUMBER | A | C | D | E | F HEX | F HEX | H HEX | H HEX | G DIA | WGT Kg/100 |
|-----------------|------|----------------|------|------|------|------|----------|----------|----------|----------|----------|---------------|
| 4 | 6 | 4m RED 6 | 31.0 | 14.5 | 16.9 | 38.4 | 13 | 1/2 | 11 | 7/16 | 2.4 | 1.9 |
| 6 | 8 | 6m RED 8 | 33.3 | 16.1 | 18.5 | 41.5 | 14 | 9/16 | 11 | 7/16 | 4.7 | 2.4 |
| 6 | 10 | 6m RED 10 | 34.1 | 16.1 | 18.5 | 42.3 | 14 | 9/16 | 14 | 9/16 | 4.7 | 2.8 |
| 6 | 12 | 6m RED 12 | 39.7 | 16.1 | 18.5 | 47.9 | 14 | 9/16 | 14 | 9/16 | 4.7 | 3.4 |
| 8 | 10 | 8m RED 10 | 35.3 | 16.9 | 19.3 | 43.6 | 16 | 5/8 | 14 | 9/16 | 6.3 | 3.5 |
| 8 | 12 | 8m RED 12 | 40.9 | 16.9 | 19.3 | 49.1 | 16 | 5/8 | 14 | 9/16 | 6.4 | 4.0 |
| 10 | 12 | 10m RED 12 | 42.1 | 17.7 | 20.1 | 50.3 | 19 | 3/4 | 17 | 11/16 | 8.0 | 5.0 |
| 12 | 16 | 12m RED 16 | 44.4 | 23.5 | 22.7 | 55.2 | 22 | 7/8 | 22 | 7/8 | 9.5 | 7.6 |
| 16 | 25 | 16m RED 25 | 52.0 | 25.1 | 22.7 | 62.8 | 25 | 1 | 29 | 1 1/8 | 12.7 | 14.3 |
| 20 | 25 | 20m RED 25 | 54.4 | 25.1 | 22.7 | 65.2 | 30 | 1 3/16 | 29 | 1 1/8 | 16.7 | 15.5 |
| 25 | 30 | 25m RED 30 | 59.5 | 31.8 | 27.0 | 72.2 | 38 | 1 1/2 | 35 | 1 3/8 | 22.2 | 22.8 |
| 25 | 44.5 | 25m RED 44.5 | 64.3 | 31.8 | 27.0 | 77.0 | 38 | 1 1/2 | 49 | 1 15/16 | 22.2 | 37.5 |
| 30 | 44.5 | 30m RED 44.5 | 66.7 | 32.5 | 29.4 | 80.2 | 43 | 1 11/16 | 49 | 1 15/16 | 27.0 | 42.2 |

Dimensions for Reference only.

MALE STUD STANDPIPE ADAPTOR NPT

Metric

| T TUBE OD | P PIPE THRD | PART NUMBER | A | AX | B | H HEX | H HEX | G DIA | WGT Kg/100 |
|-----------------|-------------------|----------------|------|------|------|----------|----------|----------|---------------|
| 4 | 1/8 | 4m ATPM 2 | 28.6 | 13.5 | 9.5 | 11 | 7/16 | 2.0 | 1.0 |
| 6 | 1/8 | 6m ATPM 2 | 31.8 | 16.7 | 9.5 | 11 | 7/16 | 4.0 | 1.4 |
| 6 | 1/4 | 6m ATPM 4 | 36.5 | 16.7 | 14.3 | 14 | 9/16 | 4.0 | 1.7 |
| 6 | 1/2 | 6m ATPM 8 | 42.9 | 16.7 | 19.1 | 22 | 7/8 | 4.0 | 4.9 |
| 10 | 1/4 | 10m ATPM 4 | 38.1 | 18.3 | 14.3 | 14 | 9/16 | 7.1 | 2.1 |
| 10 | 3/8 | 10m ATPM 6 | 38.9 | 18.3 | 14.3 | 17 | 11/16 | 7.1 | 2.8 |
| 10 | 1/2 | 10m ATPM 8 | 44.5 | 18.3 | 19.1 | 22 | 7/8 | 7.1 | 5.1 |
| 12 | 1/4 | 12m ATPM 4 | 44.5 | 23.8 | 14.3 | 14 | 9/16 | 7.1 | 2.8 |
| 12 | 3/8 | 12m ATPM 6 | 44.5 | 23.8 | 14.3 | 17 | 11/16 | 8.3 | 3.8 |
| 12 | 1/2 | 12m ATPM 8 | 50.0 | 23.8 | 19.1 | 22 | 7/8 | 8.3 | 5.9 |
| 12 | 3/4 | 12m ATPM 12 | 50.8 | 23.8 | 19.1 | 29 | 1 1/8 | 8.3 | 8.7 |
| 16 | 1/2 | 16m ATPM 8 | 52.4 | 25.4 | 19.1 | 22 | 7/8 | 12.3 | 6.1 |
| 16 | 3/4 | 16m ATPM 12 | 52.4 | 25.4 | 19.1 | 29 | 1 1/8 | 12.3 | 7.6 |
| 20 | 3/4 | 20m ATPM 12 | 56.3 | 27.0 | 19.1 | 29 | 1 1/8 | 16.5 | 9.1 |
| 20 | 1 | 20m ATPM 16 | 61.9 | 27.0 | 23.8 | 38 | 1 1/2 | 15.5 | 13.8 |
| 25 | 3/4 | 25m ATPM 12 | 60.7 | 32.1 | 19.1 | 29 | 1 1/8 | 19.1 | 12.3 |
| 30 | 1 | 30m ATPM 16 | 63.6 | 33.4 | 25.4 | 43 | 1 11/16 | 25.4 | 20.5 |
| 44.5 | 1 1/2 | 44.5m ATPM 24 | 78.6 | 38.1 | 26.2 | 57 | 2 1/4 | 38.1 | 48.2 |

Dimensions for Reference only.

FEMALE STUD STANDPIPE ADAPTOR NPT

Metric

| T TUBE OD | P PIPE THRD | PART NUMBER | A | AX | B | H HEX | H HEX | G DIA | WGT Kg/100 |
|-----------------|-------------------|----------------|------|------|------|----------|----------|----------|---------------|
| 4 | 1/4 | 4m ATPF 4 | 34.1 | 15.9 | 15.0 | 19 | 3/4 | 2.8 | 3.0 |
| 6 | 1/4 | 6m ATPF 4 | 34.9 | 16.7 | 15.0 | 19 | 3/4 | 3.9 | 3.1 |
| 6 | 3/8 | 6m ATPF 6 | 36.5 | 16.7 | 15.0 | 22 | 7/8 | 3.9 | 4.4 |
| 6 | 1/2 | 6m ATPF 8 | 42.1 | 16.7 | 19.8 | 27 | 1 1/16 | 3.9 | 7.9 |
| 8 | 1/4 | 8m ATPF 4 | 35.7 | 17.5 | 15.0 | 19 | 3/4 | 5.5 | 4.5 |
| 8 | 3/8 | 8m ATPF 6 | 37.3 | 17.5 | 15.0 | 22 | 7/8 | 5.5 | 4.8 |
| 10 | 1/4 | 10m ATPF 4 | 36.5 | 18.3 | 15.0 | 19 | 3/4 | 7.1 | 3.5 |
| 10 | 3/8 | 10m ATPF 6 | 38.1 | 18.3 | 15.0 | 22 | 7/8 | 7.1 | 5.0 |
| 10 | 1/2 | 10m ATPF 8 | 43.7 | 18.3 | 19.8 | 27 | 1 1/16 | 7.1 | 8.2 |
| 12 | 1/4 | 12m ATPF 4 | 42.1 | 23.8 | 15.0 | 19 | 3/4 | 8.3 | 4.1 |
| 12 | 3/8 | 12m ATPF 6 | 43.7 | 23.8 | 15.0 | 22 | 7/8 | 8.3 | 5.2 |
| 12 | 1/2 | 12m ATPF 8 | 49.2 | 23.8 | 19.8 | 27 | 1 1/16 | 8.3 | 8.5 |
| 16 | 1/4 | 16m ATPF 4 | 46.8 | 25.4 | 15.0 | 19 | 3/4 | 12.3 | 5.7 |
| 16 | 1/2 | 16m ATPF 8 | 50.8 | 25.4 | 19.8 | 27 | 1 1/16 | 12.3 | 9.5 |
| 20 | 3/4 | 20m ATPF 12 | 52.4 | 27.0 | 20.6 | 33 | 1 5/16 | 15.5 | 6.8 |
| 20 | 1 | 20m ATPF 16 | 57.2 | 27.0 | 25.4 | 43 | 1 11/16 | 15.5 | 10.0 |
| 25 | 3/4 | 25m ATPF 12 | 57.5 | 32.1 | 20.6 | 33 | 1 5/16 | 15.5 | 16.0 |
| 30 | 1 | 30m ATPF 16 | 63.6 | 33.4 | 25.4 | 43 | 1 11/16 | 25.4 | 24.8 |
| 44.5 | 1 1/2 | 44.5m ATPF 24 | 78.6 | 38.1 | 26.2 | 57 | 2 1/4 | 38.1 | 64.8 |

Dimensions for Reference only.

BLANKING END

Metric

| T TUBE OD | PART NUMBER | A | C | D | E | F HEX | F HEX | H HEX | H HEX | WGT Kg/100 |
|-----------------|----------------|------|------|------|------|----------|----------|----------|----------|---------------|
| 4 | 4m BE | 15.1 | 14.5 | 16.9 | 22.5 | 13 | 1/2 | 11 | 7/16 | 1.9 |
| 6 | 6m BE | 15.9 | 16.1 | 18.5 | 24.1 | 14 | 9/16 | 13 | 1/2 | 2.1 |
| 8 | 8m BE | 17.1 | 16.9 | 19.3 | 25.3 | 16 | 5/8 | 14 | 9/16 | 3.0 |
| 10 | 10m BE | 18.3 | 17.7 | 20.1 | 26.5 | 19 | 3/4 | 17 | 11/16 | 3.8 |
| 12 | 12m BE | 19.1 | 23.5 | 22.7 | 29.9 | 22 | 7/8 | 22 | 7/8 | 6.3 |
| 16 | 16m BE | 23.0 | 25.1 | 22.7 | 33.8 | 25 | 1 | 24 | 15/16 | 9.0 |
| 20 | 20m BE | 25.4 | 25.1 | 22.7 | 36.2 | 30 | 13/16 | 29 | 1 1/8 | 12.7 |
| 25 | 25m BE | 28.6 | 31.8 | 27.0 | 41.3 | 38 | 1 1/2 | 38 | 1 1/2 | 15.2 |
| 30 | 30m BE | 31.8 | 32.5 | 29.4 | 45.3 | 43 | 1 11/16 | 43 | 1 11/16 | 29.9 |
| 44.5 | 44.5m BE | 38.1 | 34.8 | 32.4 | 54.6 | 60 | 2 3/8 | 54 | 2 1/4 | 70.9 |

Dimensions for Reference only.

BLANKING PLUG

Metric

| <i>T TUBE OD</i> | <i>PART NUMBER</i> | <i>F HEX</i> | <i>F HEX</i> | <i>WGT Kg/100</i> |
|--------------------------|------------------------|------------------|------------------|-----------------------|
| 4 | 4m BP | 13 | $\frac{1}{2}$ | 1.1 |
| 6 | 6m BP | 14 | $\frac{9}{16}$ | 1.4 |
| 8 | 8m BP | 16 | $\frac{5}{8}$ | 2.1 |
| 10 | 10m BP | 19 | $\frac{3}{4}$ | 2.7 |
| 12 | 12m BP | 22 | $\frac{7}{8}$ | 4.2 |
| 16 | 16m BP | 25 | 1 | 7.5 |
| 20 | 20m BP | 30 | $1\frac{3}{16}$ | 12.3 |
| 25 | 25m BP | 38 | $1\frac{1}{2}$ | 16.7 |
| 30 | 30m BP | 43 | $1\frac{11}{16}$ | 17.2 |
| 44.5 | 44.5m BP | 60 | $2\frac{3}{8}$ | 34.1 |

Dimensions for Reference only.

COMPRESSION NUT

Metric

| <i>T</i> TUBE OD | <i>PART</i> NUMBER | <i>L</i> | <i>F</i> HEX | <i>F</i> HEX | <i>WGT</i> Kg/100 |
|------------------------|-----------------------|----------|-----------------|-----------------|----------------------|
| 4 | 4m N | 11.9 | 13 | 1/2 | 0.7 |
| 6 | 6m N | 12.7 | 14 | 9/16 | 0.9 |
| 8 | 8m N | 13.5 | 16 | 5/8 | 1.5 |
| 10 | 10m N | 14.3 | 19 | 3/4 | 1.7 |
| 12 | 12m N | 17.4 | 22 | 7/8 | 2.5 |
| 16 | 16m N | 17.5 | 25 | 1 | 3.8 |
| 20 | 20m N | 17.5 | 30 | 1 3/16 | 4.5 |
| 25 | 25m N | 20.6 | 38 | 1 1/2 | 7.4 |
| 30 | 30m N | 23.8 | 43 | 1 11/16 | 9.0 |
| 44.5 | 44.5m N | 28.0 | 60 | 2 3/8 | 21.7 |

Dimensions for Reference only.



FRONT SEALRING

BACK SEALRING

Metric

FRONT SEALRING

| <i>T TUBE OD</i> | <i>PART NUMBER</i> | <i>WGT Kg/100</i> |
|--------------------------|------------------------|-----------------------|
| 4 | 4m FC | 0.1 |
| 6 | 6m FC | 0.1 |
| 8 | 8m FC | 0.2 |
| 10 | 10m FC | 0.25 |
| 12 | 12m FC | 0.3 |
| 16 | 16m FC | 0.4 |
| 20 | 20m FC | 0.45 |
| 25 | 25m FC | 1.2 |
| 30 | 30m FC | 1.4 |
| 44.5 | 44.5m FC | 1.85 |

Dimensions for Reference only.

BACK SEALRING

| <i>T TUBE OD</i> | <i>PART NUMBER</i> | <i>WGT Kg/100</i> |
|--------------------------|------------------------|-----------------------|
| 4 | 4m RC | 0.05 |
| 6 | 6m RC | 0.1 |
| 8 | 8m RC | 0.15 |
| 10 | 10m RC | 0.17 |
| 12 | 12m RC | 0.2 |
| 16 | 16m RC | 0.2 |
| 20 | 20m RC | 0.25 |
| 25 | 25m RC | 0.3 |
| 30 | 30m RC | 0.4 |
| 44.5 | 44.5m RC | 0.65 |

Dimensions for Reference only.

**TABLE OF RECOMMENDED CUPRO NICKEL TUBES FOR
ALUMINIUM BRONZE COUPLINGS**

| OUTSIDE DIAMETER mm | MINIMUM WALL THICKNESS mm | MAXIMUM WALL THICKNESS mm |
|------------------------------------|--|--|
| 6 | 0.7 | 1.5 |
| 10 | 1.0 | 2.5 |
| 12 | 1.0 | 2.5 |
| 16 | 1.0 | 3.0 |
| 25 | 1.5 | 3.0 |
| 30 | 1.5 | 3.0 |
| 44.5 | 1.5 | 3.0 |