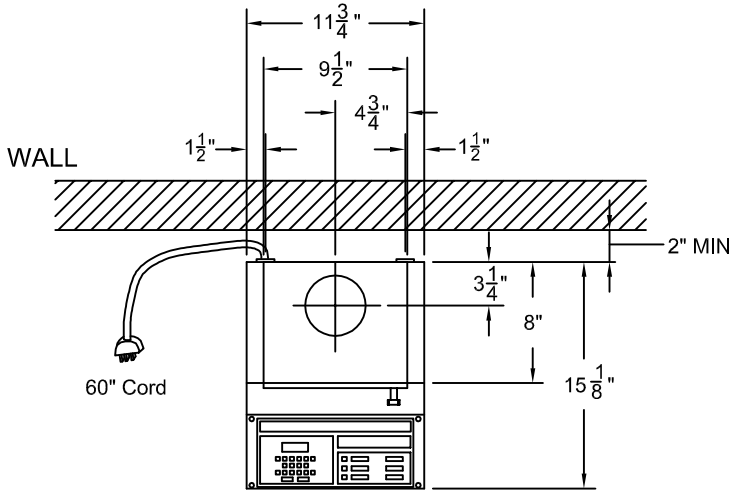


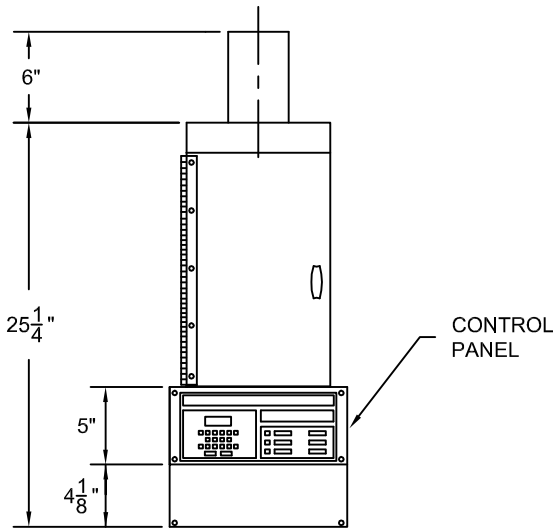
This drawing is property of Pevco Systems International, Inc. It may not be copied or exhibited without written permission.



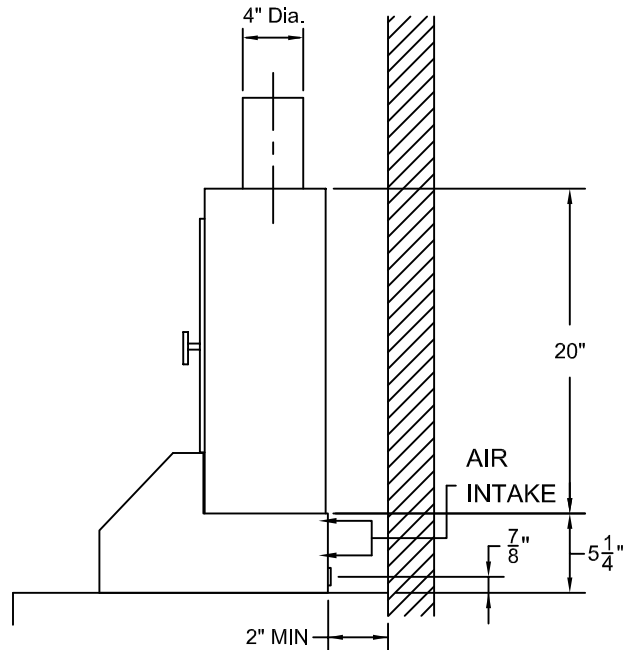
- NOTES: 1. STATION REQUIRES 120 VOLT, 5 AMP DEDICATED CIRCUIT (PROVIDED BY OTHERS).  
 2. ONE 7/8" DIA. HOLE IN THE BACK OF THE STATION FOR COMMUNICATION CABLE CONNECTION.  
 3. STATION TO BE COUNTER MOUNTED. (COUNTER BY OTHERS).  
 4. STATION WEIGHT IS 75 LBS.

COUNTER  
(BY OTHERS)

PLAN VIEW



FRONT VIEW



SIDE VIEW

**Pevco**™

Baltimore, Maryland  
800.296.PEVCO (7382)  
WWW.PEVCO.COM

SPACE SAVER STATION

4" COMPUTERIZED PNEUMATIC TUBE SYSTEM

SCALE	NONE	DATE
DRAWN	SDW	05.01.00
REVISED	SDW	01.06.06
	SDW	10.22.07
DRAWING NUMBER	PEV200.12B	REVISION 7